


19512103	DATA SHEET	
Valid from: 20.11.2024	EPIC® H-A 3 MTGH	

Description

- Innovative metal housing
- For safe connections in the smallest possible space

General characteristics

Series	H-A 3
Version	Hood
Locking mechanism	Bolts for single lever
Cable entry	Straight
Protection rating (DIN EN 60529)	IP 66 (latched) IP 68 - 1 meter / 10 hours (latched)
Protection rating (NEMA 250, UL50E)	4, 12 (latched)
Temperature range	-40 °C to +100 °C, short-term up to +125 °C



Materials and surfaces


Housing, base material	Zinc die-casting
Housing, surface	Powder-coating, grey

Standard

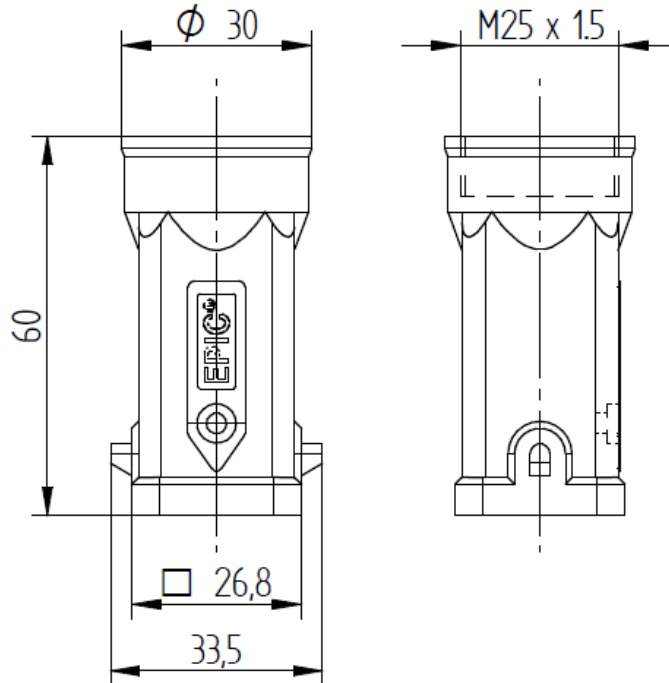
Safety Standard	IEC 61984, UL50E
-----------------	------------------

Approvals

UL-Approval, E-File-Number	E75770
----------------------------	--------

19512103	DATA SHEET	
Valid from: 20.11.2024	EPIC® H-A 3 MTGH	

Technical Drawings



Industrial machinery and plant engineering



Mechanical resistance



Robust



Waterproof

Info

Compact, robust metal housings size H-A 3

Application range

Machine and equipment manufacturing
Control engineering
Electronic laboratory

Remark

Photographs are not to scale and do not represent detailed images of the respective products.

Creator: THBO1/BU-EPIC Released: VACH1/BU-EPIC	Document: DB19512103EN Version: 01	Page 2 of 2
---	---------------------------------------	-------------