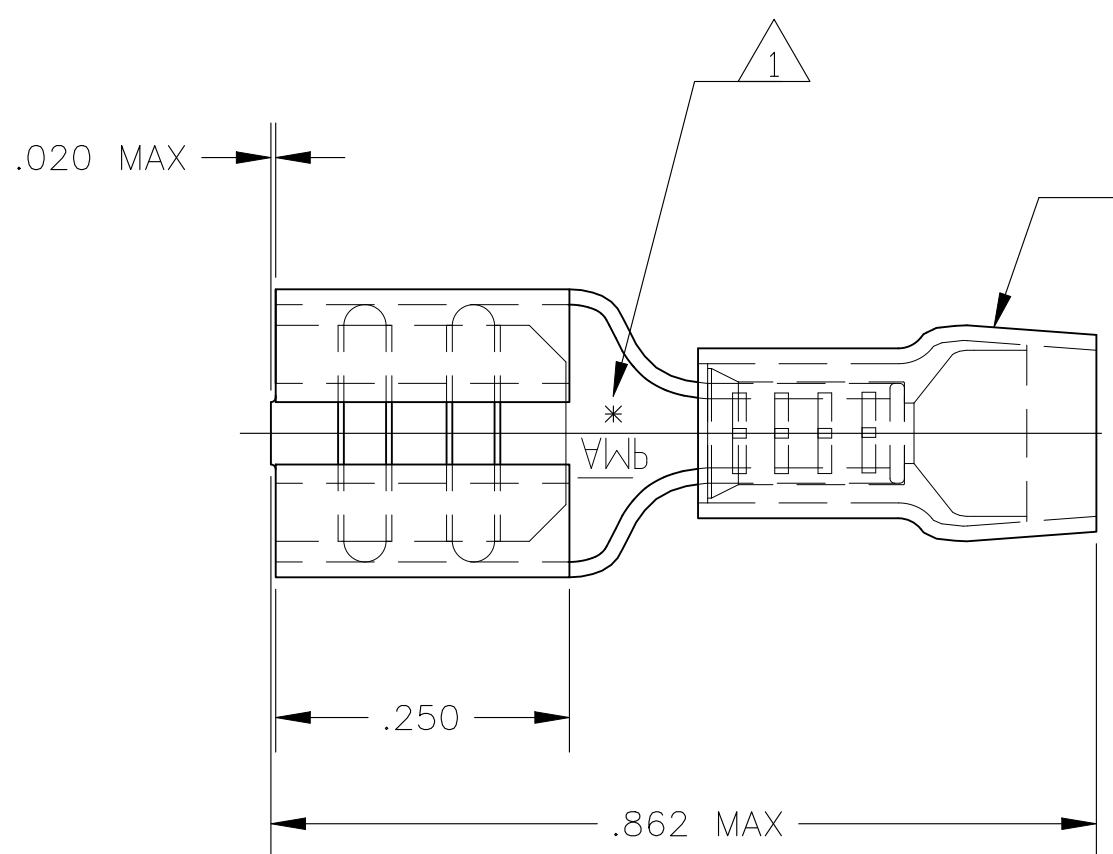
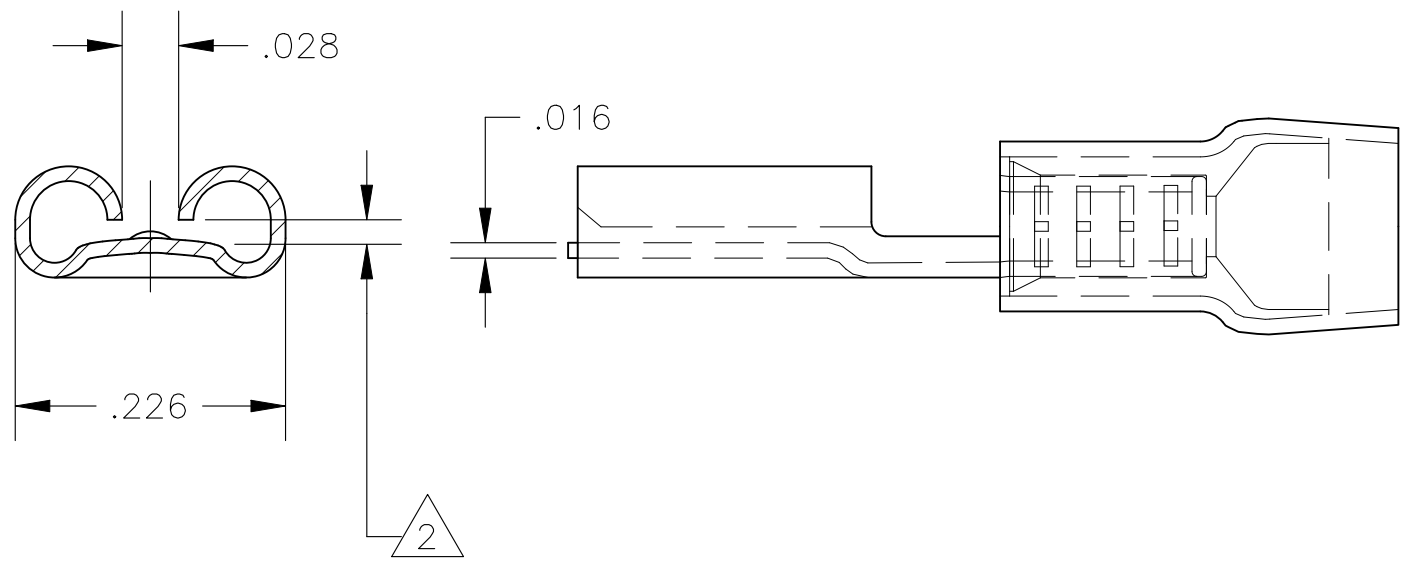


REVISIONS					
P	LTR	DESCRIPTION	DATE	DWN	APVD
	H3	REVISED PER ECR-22-154249	19FEB2023	LP	DSC



1 ASTERISK * FOR PHOS BRONZE ITEMS ONLY.

2 MATES WITH A .031 THK TAB



OBSOLETE	9-160479-5 ON TAPE	5-160479-5
	9-160479-2 ON TAPE	5-160479-2
OBSOLETE	TIN	PHOS BRONZE
OBSOLETE	TIN	BRASS
	FINISH	MATERIAL
		ORDER NO.

THIS DRAWING IS A CONTROLLED DOCUMENT.

DIMENSIONS: INCHES	TOLERANCES UNLESS OTHERWISE SPECIFIED:
	0 PLC ± -
	1 PLC ± -
	2 PLC ± -
	3 PLC ± .005
	4 PLC ± -
	ANGLES ± 5°

MATERIAL - FINISH -

DWN	jr_ruth	21MAY04
CHK	T MICHIELUTTI	21MAY04
APVD	T MICHIELUTTI	21MAY04
PRODUCT SPEC	-	
APPLICATION SPEC	-	
WEIGHT	-	



NAME				FASTON RECEPTACLE, PIDG	
				.187 SERIES	
				WIRE SIZE: 16-14 AWG	
SIZE	CAGE CODE	DRAWING NO	RESTRICTED TO		
A3	00779	C-160479	-		

CUSTOMER DRAWING	SCALE 1:1	SHEET 1 OF 1	REV H3
------------------	-----------	--------------	--------