

62021-3 ✓ ACTIVE

FASTON | FASTON 250

TE Internal #: 62021-3

Quick Disconnect Receptacle, Uninsulated, 12 – 10 AWG, .82 – 3.31

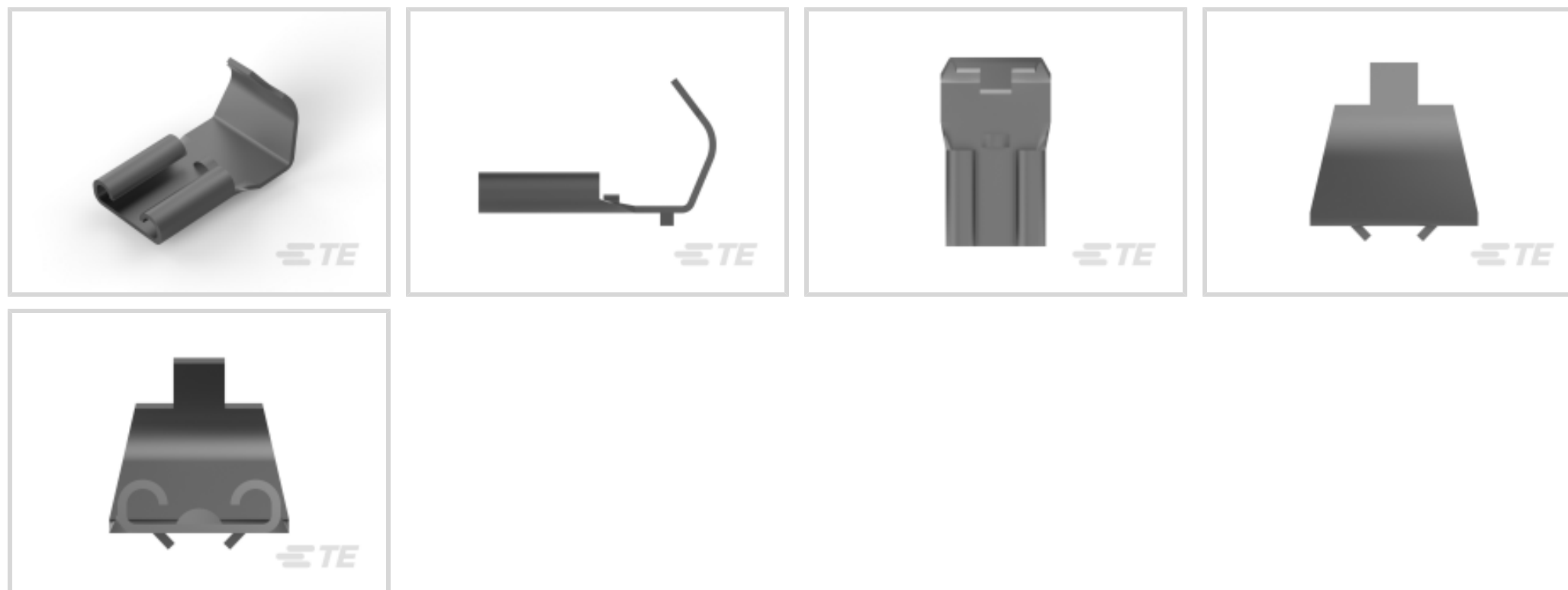
mm² Wire, 6.35 mm [.25 in] Tab Width, Tab-Lok, Flag, Brass, Tin

Plating, FASTON 250

[View on TE.com >](#)



Terminals & Splices > Quick Disconnects



Quick Disconnect Terminal Type: **Receptacle**

Wire Size: **.82 – 3.31 mm²**

Mating Tab Width: **6.35 mm [.25 in]**

Mating Tab Thickness: **.81 mm [.032 in]**

Features

Product Type Features

Insertion Force	Low
-----------------	-----

Configuration Features

Compatible With Wire & Cable Type	Discrete Wire
-----------------------------------	---------------

Connection Capacity	Single
---------------------	--------

Contact Features

Quick Disconnect Terminal Type	Receptacle
--------------------------------	------------

Mating Tab Width	6.35 mm [.25 in]
------------------	------------------

Mating Tab Thickness	.81 mm [.032 in]
----------------------	------------------

Terminal Orientation	Flag
----------------------	------

Contact Base Material	Brass
-----------------------	-------

Terminal Plating Material	Tin
---------------------------	-----

Crimp Type	Tab-Lok
------------	---------

Barrel Type	Open
-------------	------

Termination Features



Product Terminates To	Wire & Cable
-----------------------	--------------

Mechanical Attachment

Wire Insulation Support	Without
-------------------------	---------

Mating Retention Type	Dimple
-----------------------	--------

Dimensions

Product Length	15.49 mm[.61 in]
----------------	------------------

Terminal Material Thickness	.46 mm[.018 in]
-----------------------------	-----------------

Wire Size	.82 – 3.31 mm ²
-----------	----------------------------

Usage Conditions

Insulation Option	Uninsulated
-------------------	-------------

Operating Temperature Range	-40 – 110 °C[-40 – 230 °F]
-----------------------------	----------------------------

Industry Standards

Compatible With Agency/Standards Products	CSA, UL
---	---------

Packaging Features

Packaging Quantity	4000
--------------------	------

Packaging Method	Strip/Reel
------------------	------------

Other

Line	Premier
------	---------

Product Compliance

[For compliance documentation, visit the product page on TE.com>](#)

EU RoHS Directive 2011/65/EU	Compliant
------------------------------	-----------

EU ELV Directive 2000/53/EC	Compliant
-----------------------------	-----------

China RoHS 2 Directive MIIT Order No 32, 2016	有害物质含量符合标准要求 No Restricted Substance(s) Above Threshold
---	---

EU REACH Regulation (EC) No. 1907/2006	Current ECHA Candidate List: JUNE 2025 (250) Candidate List Declared Against: JUNE 2025 (250) Does not contain REACH SVHC
--	---

Halogen Content	Low Halogen - Br, Cl, F < 900 ppm per homogenous material. Also BFR/CFR/PVC Free
-----------------	--

Solder Process Capability	Not applicable for solder process capability
---------------------------	--

Product Compliance Disclaimer

This information is provided based on reasonable inquiry of our suppliers and represents our current actual knowledge based on the information they provided. This information is subject to change. The part numbers that TE has identified as EU RoHS compliant have a maximum concentration of 0.1% by weight in homogenous materials for lead, hexavalent chromium, mercury, PBB, PBDE, DBP, BBP, DEHP, DIBP, and 0.01% for cadmium, or qualify for an exemption to these limits as defined in the Annexes of Directive 2011/65/EU (RoHS2). Finished electrical and electronic equipment products will be CE marked as required by Directive 2011/65/EU. Components may not be CE marked. Additionally, the part numbers that TE has identified as EU ELV compliant have a maximum concentration of 0.1% by weight in homogenous materials for lead, hexavalent chromium, and mercury, and 0.01% for cadmium, or qualify for an exemption to these limits as defined in the Annexes of Directive 2000/53/EC (ELV). Regarding the REACH Regulation, the information TE provides on SVHC in articles for this part number is based on the latest European Chemicals Agency (ECHA) 'Guidance on requirements for substances in articles' posted at this URL: <https://echa.europa.eu/guidance-documents/guidance-on-reach>

Compatible Parts



Also in the Series | **FASTON 250**



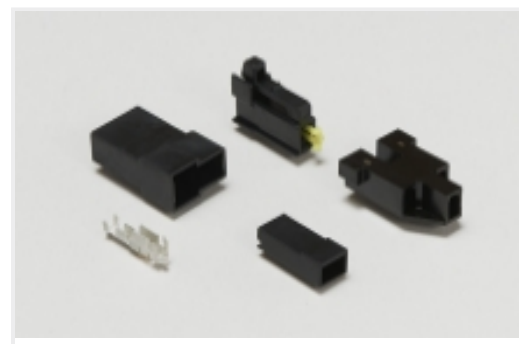
Compression Connectors(4)



Crimp Terminal Housings(116)



Insulation Boots & Sleeves(16)



Magnet Wire Terminals(1)



PCB Terminals(131)



Quick Disconnects(409)



Splices(4)

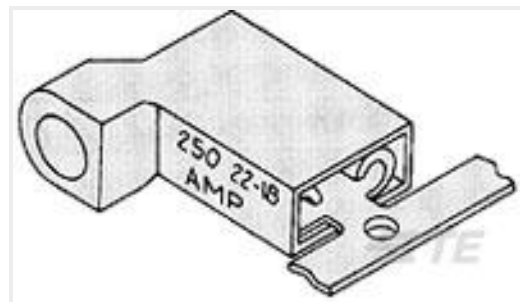
Customers Also Bought



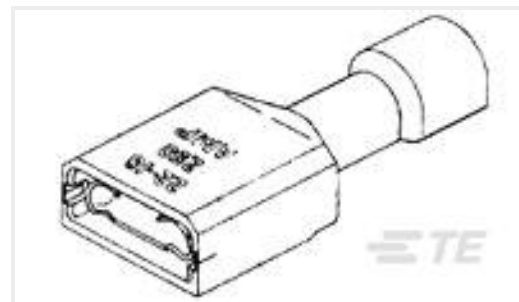
TE Part #61407-3
187 FASTON TPBR



TE Part #9-102974-0
40 MODII HD SRRA B/A .100CL,LF



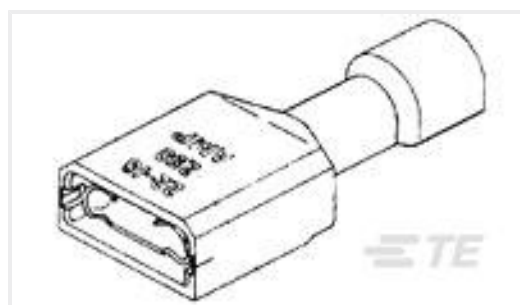
TE Part #2-520335-2
ULTRA-FAST 187 ASY REC 22-18 TPBR



TE Part #2-520932-2
ULTRA-FAST .110/.125 ASY REC 22-18 TPBR



TE Part #521205-7
RAST 5, P-L mk3 HSG.-3 POS (sp)



TE Part #2-521406-2
205 ULTRA-FAST RCPT 22-18 TPBR



TE Part #643494-4
06P MTA100 HDR ASSY W/O#5



TE Part #927833-2
SPT REC 6.3 Contact SRC Sn



TE Part #1217094-1
RCPT 250 POS-LOCK 18-14 0126BR



TE Part #6368150-1
MJ,TE,8P,CAT5,SHIELDED

Documents



Product Drawings

[250 FASTON FLAG REC 12-10 AWB TPBR](#)

English

CAD Files

Customer View Model

[ENG_CVM_CVM_62021-3_AH.2d_dxf.zip](#)

English

3D PDF

3D

Customer View Model

[ENG_CVM_CVM_62021-3_AH.3d_igs.zip](#)

English

Customer View Model

[ENG_CVM_CVM_62021-3_AH.3d_stp.zip](#)

English

By downloading the CAD file I accept and agree to the [Terms and Conditions](#) of use.

Datasheets & Catalog Pages

[82004 FASTON Terminals \(Insulated and Uninsulated\) Catalog - FASTON Receptacles Section](#)

English

[FASTON TERMINALS \(INSULATED AND UNINSULATED\) - FULL CATALOG](#)

English

Product Specifications

[Engineering Report](#)

English

Agency Approvals

[Agency Approval Document](#)

English
