

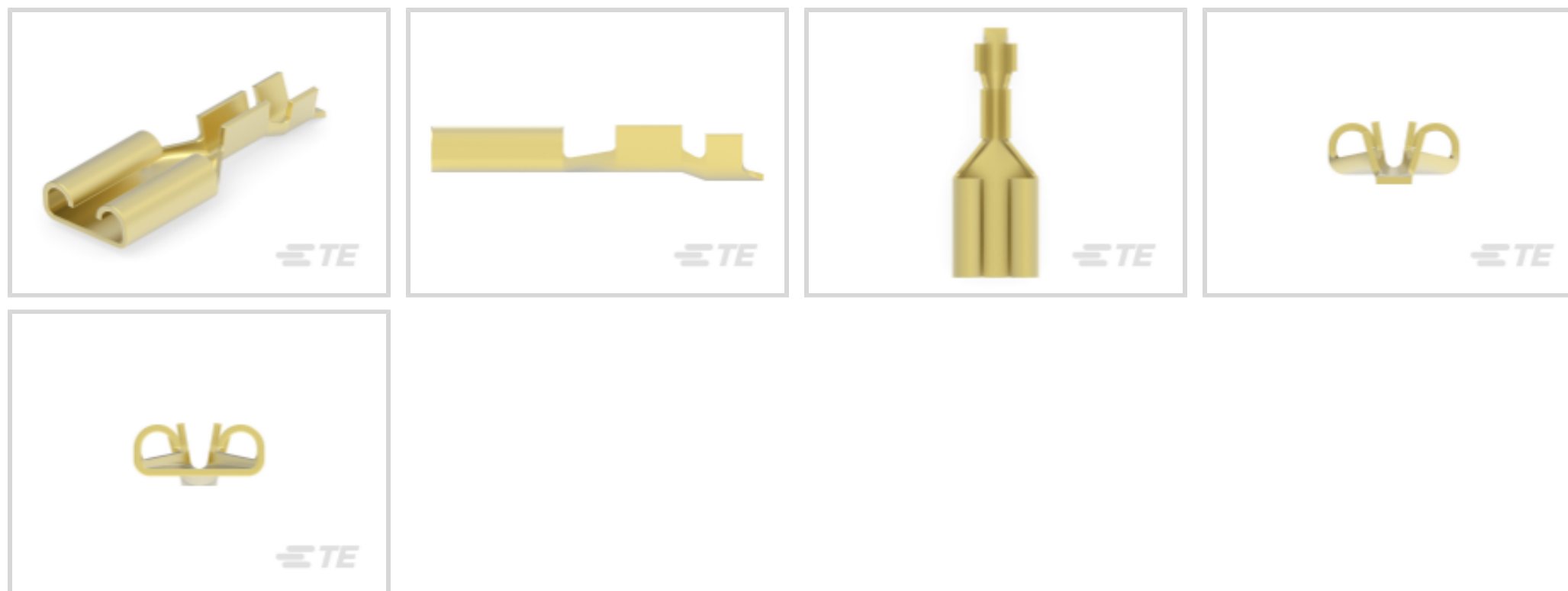
60573-2 ✓ ACTIVE

FASTON | FASTON 187

TE Internal #: 60573-2

TE Internal Description: 187 FASTON REC 24-20 BR

[View on TE.com >](#)



Product Compliance

[For compliance documentation, visit the product page on TE.com>](#)

EU RoHS Directive 2011/65/EU	Compliant
EU ELV Directive 2000/53/EC	Compliant
China RoHS 2 Directive MIIT Order No 32, 2016	有害物质含量符合标准要求 No Restricted Substance(s) Above Threshold
EU REACH Regulation (EC) No. 1907/2006	Current ECHA Candidate List: JUNE 2025 (250) Candidate List Declared Against: JUNE 2025 (250) Does not contain REACH SVHC
Halogen Content	Low Halogen - Br, Cl, F < 900 ppm per homogenous material. Also BFR/CFR/PVC Free
Solder Process Capability	Not applicable for solder process capability

Product Compliance Disclaimer

This information is provided based on reasonable inquiry of our suppliers and represents our current actual knowledge based on the information they provided. This information is subject to change. The part numbers that TE has identified as EU RoHS compliant have a maximum concentration of 0.1% by weight in homogenous materials for lead, hexavalent chromium, mercury, PBB, PBDE, DBP, BBP, DEHP, DIBP, and 0.01% for cadmium, or qualify for an exemption to these limits as defined in the Annexes of Directive 2011/65/EU (RoHS2). Finished electrical and electronic equipment products will be CE marked as required by Directive 2011/65/EU. Components may not be CE marked. Additionally, the part numbers that TE has identified as EU ELV compliant have a maximum concentration of 0.1% by weight in homogenous materials for lead, hexavalent chromium, and mercury, and 0.01% for cadmium, or qualify for an exemption to these limits as defined in the Annexes of Directive 2000/53/EC (ELV). Regarding the REACH Regulation, the information TE provides on SVHC in articles for this part number is based on the latest European Chemicals Agency (ECHA) 'Guidance on requirements for substances in articles' posted at this URL: <https://echa.europa.eu/guidance-documents/guidance-on-reach>

Compatible Parts



TE Part # 2150072-1
OCEAN_2.0_Applicator-E-055F080F-REM

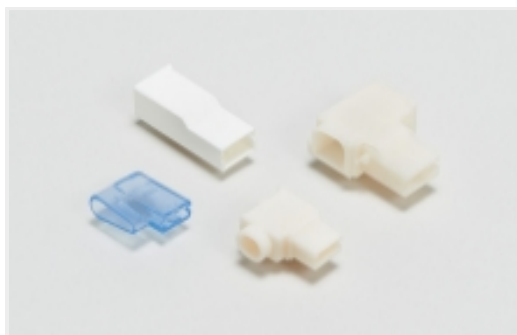


TE Part # 2150072-2
OCEAN_2.0_Applicator-E-055F080F-REA



TE Part # 7-2150072-7
OCEAN_2.0_SPARE_PART_KIT-055F080F

Also in the Series | FASTON 187



Crimp Terminal Housings(40)



Insertion & Extraction Tools(1)



Insulation Boots & Sleeves(1)



PCB Terminals(42)

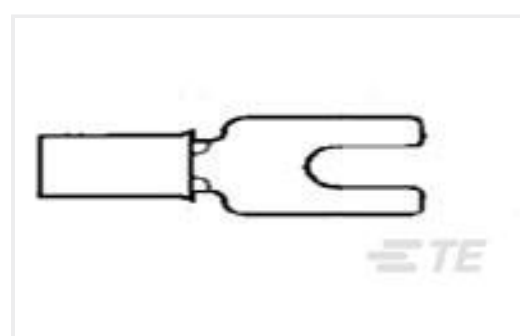


Quick Disconnects(200)

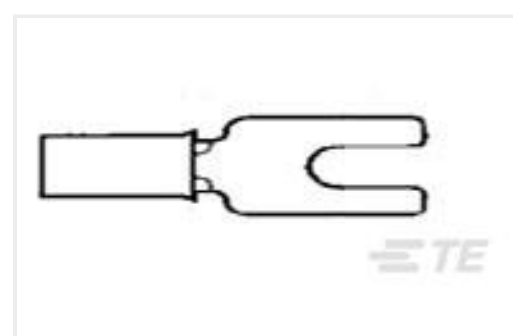
Customers Also Bought



TE Part #20010080-00
PRESS XDCR M325M-000005-100PG



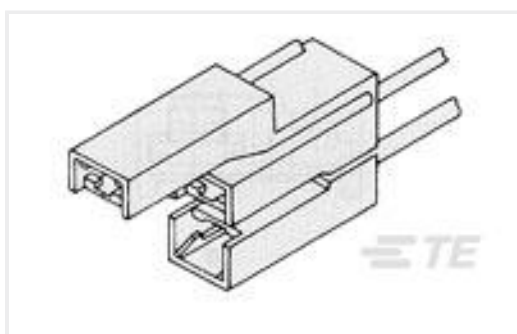
TE Part #40763
SPADE 138(3.50MM)TERMINAL 20-16 AWG TPBR



TE Part #60124-2
RING CRIMP TAB 26-20 AWG TPBR



TE Part #61368-1
250 FASTON REC 24-20 AWG TPBR



TE Part #520212-1
187 FASTON HSG. REC 3P NATURAL



TE Part #520988-2
ULTRA-POD 250 ASSY REC 22-18 AWG TPBR



TE Part #CAT-104MTA-PVUNH
PCB Header: Polyester, Vertical, Unshrouded, No Mating Alignment



TE Part #3-644020-6
06P MTA100 CONN ASSY 30AU



Documents

Product Drawings

[187 FASTON REC 24-20 BR](#)

English

CAD Files

[3D PDF](#)

3D

Customer View Model

[ENG_CVM_CVM_60573-2_AK.2d_dxf.zip](#)

English

Customer View Model

[ENG_CVM_CVM_60573-2_AK.3d_igs.zip](#)

English

Customer View Model

[ENG_CVM_CVM_60573-2_AK.3d_stp.zip](#)

English

By downloading the CAD file I accept and agree to the [Terms and Conditions](#) of use.

Datasheets & Catalog Pages

[82004 FASTON Terminals \(Insulated and Uninsulated\) Catalog - FASTON Receptacles Section](#)

English

Product Specifications

[Application Specification](#)

English

Agency Approvals

[UL Report](#)

English