

6-520314-6 ✓ ACTIVE

TRIO-MATE

TE Internal #: 6-520314-6

Connector Assembly, Wire-to-Board, 16 Position, 2.54 mm [.1 in]

Centerline, 1 Row, Right Angle, Socket, Tray, Low, TRIO-MATE,

FFC Connectors

[View on TE.com >](#)



Connectors > PCB Connectors > Wire-to-Board Connectors > FFC, FPC & Ribbon Connectors > FFC Connectors



FFC Connector Product Type: **Connector Assembly**

Connector System: **Wire-to-Board**

Number of Positions: **16**

Centerline (Pitch): **2.54 mm [.1 in]**

Number of Rows: **1**

### Features

#### Product Type Features

Connector & Contact Terminates To	Printed Circuit Board
Connector & Housing Type	Receptacle
FFC Connector Product Type	Connector Assembly
Connector System	Wire-to-Board
Insertion Force Type	Low

#### Configuration Features

Number of Positions	16
Number of Rows	1
PCB Mount Orientation	Right Angle

#### Electrical Characteristics

Operating Voltage	250 VAC
Insulation Resistance	5000 MΩ
Dielectric Withstanding Voltage (Max)	1400 VAC

#### Body Features

Primary Product Color	Black
-----------------------	-------

#### Contact Features

Contact Mating Area Plating Material	Tin-Lead
Contact Base Material	Phosphor Bronze



Contact Mating Area Plating Material Finish	Matte
Contact Type	Socket
Contact Current Rating (Max)	1 A

#### Termination Features

Termination Method to PCB	Through Hole - Solder
Termination Post & Tail Length	2.54 mm[.1 in]

#### Mechanical Attachment

Mating Alignment Type	Polarization
PCB Mount Retention Type	Z Bend
PCB Mount Retention	With
Mating Retention	Without
Mating Alignment	With
Panel Mount Feature	Without
Connector Mounting Type	Board Mount

#### Housing Features

Housing Material	Thermoplastic
Centerline (Pitch)	2.54 mm[.1 in]
FFC Cable Entry	Right Angle

#### Dimensions

PCB Thickness (Recommended)	1.57 mm[.062 in]
-----------------------------	------------------

#### Usage Conditions

Operating Temperature Range	-55 – 105 °C[-67 – 221 °F]
-----------------------------	----------------------------

#### Operation/Application

Circuit Application	Signal
---------------------	--------

#### Industry Standards

UL Flammability Rating	UL 94V-0
------------------------	----------

#### Packaging Features

Packaging Quantity	480
Packaging Method	Tray

#### Product Compliance

For compliance documentation, visit the product page on [TE.com](https://www.te.com)>

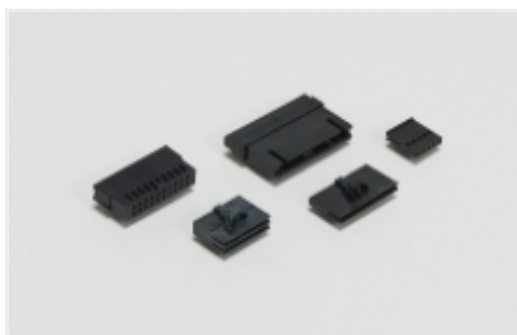


EU RoHS Directive 2011/65/EU	Compliant
EU ELV Directive 2000/53/EC	Compliant
China RoHS 2 Directive MIIT Order No 32, 2016	有害物质含量符合标准要求 No Restricted Substance(s) Above Threshold
EU REACH Regulation (EC) No. 1907/2006	Current ECHA Candidate List: JUNE 2025 (250) Candidate List Declared Against: JUNE 2025 (250) Does not contain REACH SVHC
Halogen Content	Not Low Halogen - contains Br or Cl > 900 ppm.
Solder Process Capability	Wave solder capable to 265°C

#### Product Compliance Disclaimer

This information is provided based on reasonable inquiry of our suppliers and represents our current actual knowledge based on the information they provided. This information is subject to change. The part numbers that TE has identified as EU RoHS compliant have a maximum concentration of 0.1% by weight in homogenous materials for lead, hexavalent chromium, mercury, PBB, PBDE, DBP, BBP, DEHP, DIBP, and 0.01% for cadmium, or qualify for an exemption to these limits as defined in the Annexes of Directive 2011/65/EU (RoHS2). Finished electrical and electronic equipment products will be CE marked as required by Directive 2011/65/EU. Components may not be CE marked. Additionally, the part numbers that TE has identified as EU ELV compliant have a maximum concentration of 0.1% by weight in homogenous materials for lead, hexavalent chromium, and mercury, and 0.01% for cadmium, or qualify for an exemption to these limits as defined in the Annexes of Directive 2000/53/EC (ELV). Regarding the REACH Regulation, the information TE provides on SVHC in articles for this part number is based on the latest European Chemicals Agency (ECHA) 'Guidance on requirements for substances in articles' posted at this URL: <https://echa.europa.eu/guidance-documents/guidance-on-reach>

## Also in the Series | **TRIO-MATE**



FFC Connectors(64)

## Customers Also Bought



TE Part #102387-3  
16 MODIV HSG COMP DR .100 POL



TE Part #9-146280-0  
40 MODII HDR SRST B/A .100CL



TE Part #2-406549-4  
IMJ,1X1,PNL GRD,LED(Y/G), S



TE Part #2-604771-9  
CABLE TIE, NATURAL, 4" (1000)



TE Part #3-1437652-9  
6PCV-02-006=6PCV ASSEMBLY



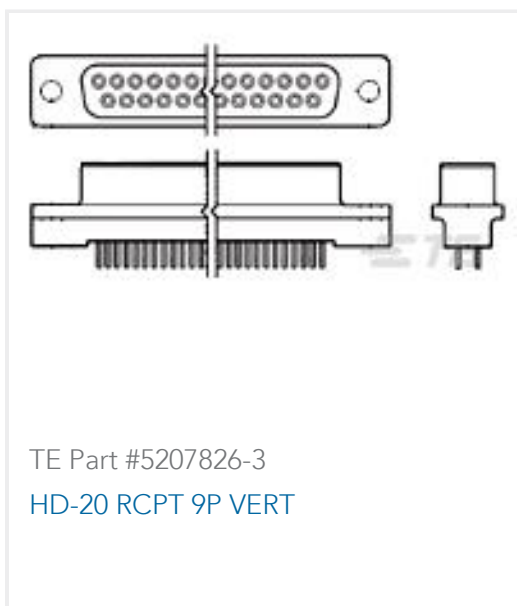
TE Part #4-2176231-3  
3522 560R 1% 3W



TE Part #3-2176304-6  
RP 1E 0.1W 23R2 0.1% 25PPM 5K RL



TE Part #2337237-1  
TACT MINI GW 5.2X5.2X1.5 70GF



TE Part #5207826-3  
HD-20 RCPT 9P VERT



TE Part #5499922-3  
A/L UNIV HDR 16P VERT LAT

## Documents

### Product Drawings

[TRIOMATE ASSY H 16P L=2.54LDFR](#)

English

### CAD Files

[3D PDF](#)

3D

Customer View Model

[ENG\\_CVM\\_CVM\\_6-520314-6\\_Y.2d\\_dxf.zip](#)

English

Customer View Model

[ENG\\_CVM\\_CVM\\_6-520314-6\\_Y.3d\\_igs.zip](#)

English

Customer View Model

[ENG\\_CVM\\_CVM\\_6-520314-6\\_Y.3d\\_stp.zip](#)

English

By downloading the CAD file I accept and agree to the [Terms and Conditions](#) of use.

### Product Specifications



[Trio-Mate Flat Flexible Discrete Circuit .100 Connectors](#)

English

[Application Specification](#)

Japanese

[Application Specification](#)

English