

521087-1 ✓ ACTIVE

Ultra-Pod | Ultra-Pod 250

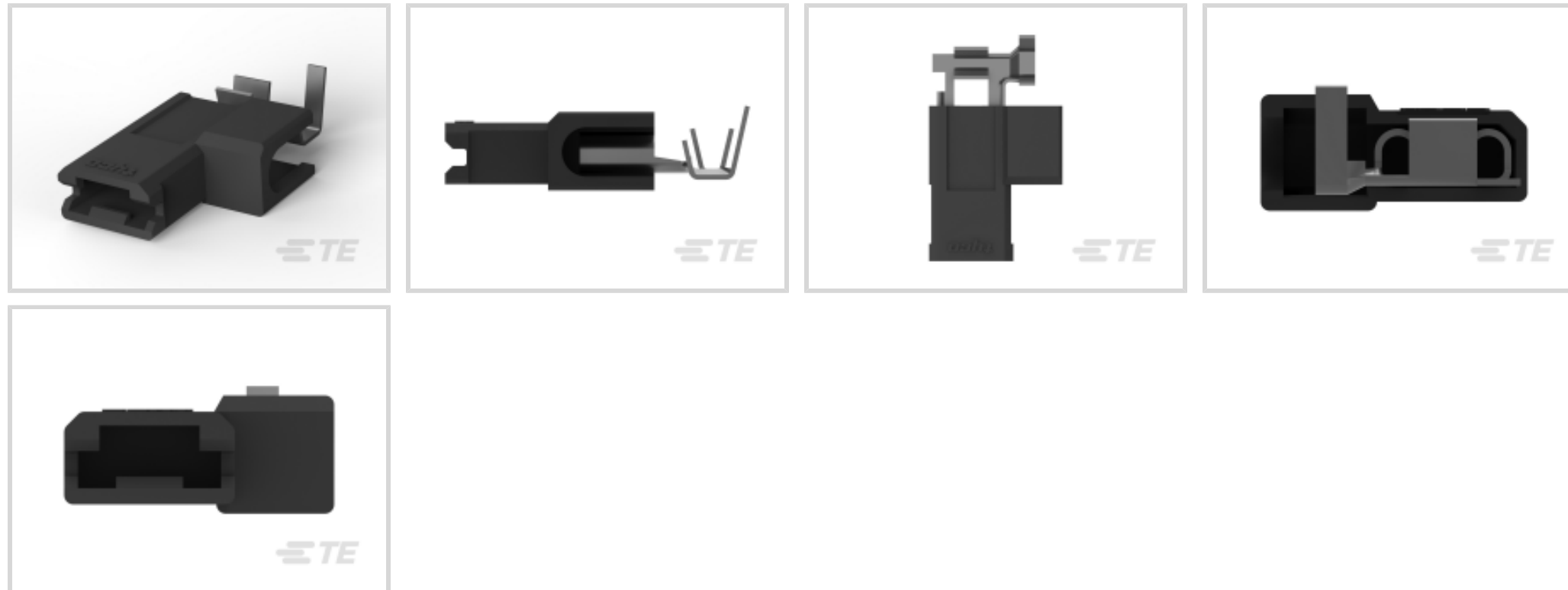
TE Internal #: 521087-1

Quick Disconnect Receptacle, Fully Insulated, 18 – 14 AWG, .82 – 2.08 mm<sup>2</sup> Wire, 6.35 mm [.25 in] Tab Width, Tab-Lok, Flag, Steel, Ultra-Pod 250

[View on TE.com >](#)



Terminals & Splices > Quick Disconnects



Quick Disconnect Terminal Type: **Receptacle**

Wire Size: .82 – 2.08 mm<sup>2</sup>

Mating Tab Width: 6.35 mm [.25 in]

Mating Tab Thickness: .81 mm [.032 in]

## Features

### Product Type Features

Insertion Force	Low
-----------------	-----

### Configuration Features

Compatible With Wire & Cable Type	Discrete Wire
-----------------------------------	---------------

Connection Capacity	Single
---------------------	--------

### Electrical Characteristics

Voltage Rating	600 V
----------------	-------

### Body Features

Insulation Material	Nylon
---------------------	-------

### Contact Features

Quick Disconnect Terminal Type	Receptacle
--------------------------------	------------

Mating Tab Width	6.35 mm [.25 in]
------------------	------------------

Mating Tab Thickness	.81 mm [.032 in]
----------------------	------------------

Terminal Orientation	Flag
----------------------	------

Contact Base Material	Steel
-----------------------	-------



Terminal Plating Material	Nickel
---------------------------	--------

Crimp Type	Tab-Lok
------------	---------

Barrel Type	Open
-------------	------

### Termination Features

Product Terminates To	Wire & Cable
-----------------------	--------------

### Mechanical Attachment

Wire Insulation Support	With
-------------------------	------

### Dimensions

Product Length	22.99 mm[.905 in]
----------------	-------------------

Compatible Insulation Diameter Range	2.79 – 4.06 mm[.11 – .16 in]
--------------------------------------	------------------------------

Terminal Material Thickness	.25 mm[.01 in]
-----------------------------	----------------

Wire Size	.82 – 2.08 mm <sup>2</sup>
-----------	----------------------------

### Usage Conditions

Insulation Option	Fully Insulated
-------------------	-----------------

Operating Temperature Range	-40 – 150 °C[-40 – 302 °F]
-----------------------------	----------------------------

### Industry Standards

Compatible With Agency/Standards Products	UL
---	----

UL Flammability Rating	UL 94V-2
------------------------	----------

### Packaging Features

Packaging Quantity	1800
--------------------	------

Packaging Method	Strip/Reel
------------------	------------

### Other

Barrel Color	Black
--------------	-------

### Product Compliance

[For compliance documentation, visit the product page on TE.com>](#)

EU RoHS Directive 2011/65/EU	Compliant
------------------------------	-----------

EU ELV Directive 2000/53/EC	Compliant
-----------------------------	-----------

China RoHS 2 Directive MIIT Order No 32, 2016	有害物质含量符合标准要求 No Restricted Substance(s) Above Threshold
---	---

EU REACH Regulation (EC) No. 1907/2006	Current ECHA Candidate List: JUNE 2025 (250)
--	--



Candidate List Declared Against: JUNE 2025 (250)  
Does not contain REACH SVHC

Halogen Content	Low Halogen - Br, Cl, F < 900 ppm per homogenous material. Also BFR/CFR/PVC Free
Solder Process Capability	Not applicable for solder process capability

Product Compliance Disclaimer

This information is provided based on reasonable inquiry of our suppliers and represents our current actual knowledge based on the information they provided. This information is subject to change. The part numbers that TE has identified as EU RoHS compliant have a maximum concentration of 0.1% by weight in homogenous materials for lead, hexavalent chromium, mercury, PBB, PBDE, DBP, BBP, DEHP, DIBP, and 0.01% for cadmium, or qualify for an exemption to these limits as defined in the Annexes of Directive 2011/65/EU (RoHS2). Finished electrical and electronic equipment products will be CE marked as required by Directive 2011/65/EU. Components may not be CE marked. Additionally, the part numbers that TE has identified as EU ELV compliant have a maximum concentration of 0.1% by weight in homogenous materials for lead, hexavalent chromium, and mercury, and 0.01% for cadmium, or qualify for an exemption to these limits as defined in the Annexes of Directive 2000/53/EC (ELV). Regarding the REACH Regulation, the information TE provides on SVHC in articles for this part number is based on the latest European Chemicals Agency (ECHA) 'Guidance on requirements for substances in articles' posted at this URL: <https://echa.europa.eu/guidance-documents/guidance-on-reach>

### Compatible Parts



TE Part # CAT-UL8-25021  
ULTRA POD: Flag, Receptacle Assembly, Tin Plated, .250 inch




TE Part # 521282-1  
ULTRA-POD 250 ASS REC 18-14 AWG BR LIF




TE Part # 520971-1  
ULTRA-POD 250 ASY REC 18-14 AWG BR

### Also in the Series | Ultra-Pod 250



Insertion & Extraction Tools(2)



Quick Disconnects(42)

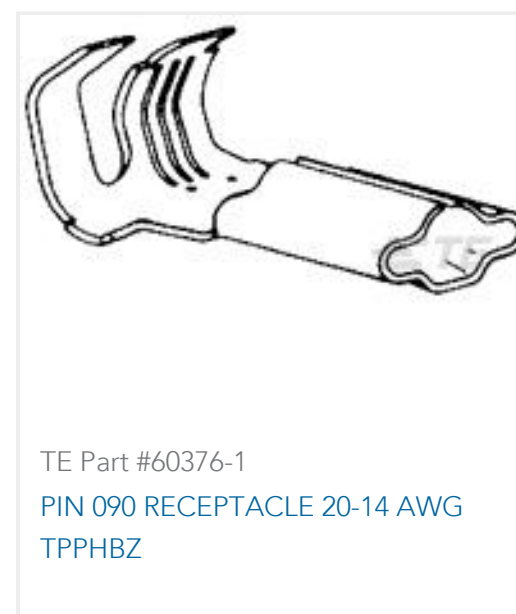
### Customers Also Bought



TE Part #CAT-AB0-E1622  
Snap-In Type Plastic Cable Glands



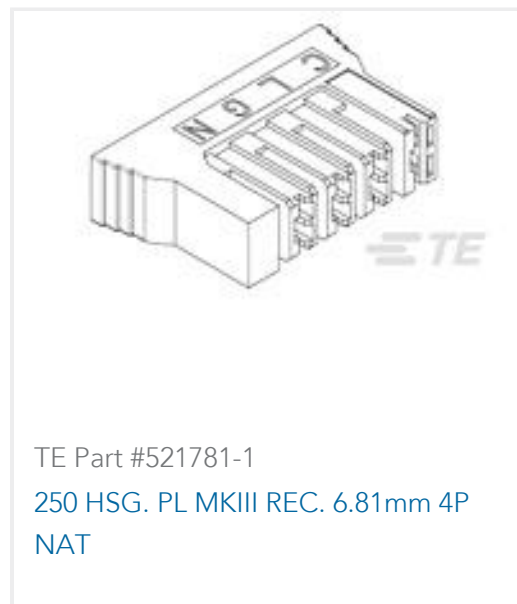
TE Part #105035-000  
DWP-125-1/4-0-1.5IN



TE Part #60376-1  
PIN 090 RECEPTACLE 20-14 AWG  
TPPHBZ



TE Part #61234-1  
.156 MNL PIN 12-10 PTPBR



TE Part #521781-1  
250 HSG. PL MKIII REC. 6.81mm 4P  
NAT



TE Part #1-1123722-6  
3.96 EP PLUG HSG 6P(NATURAL)



TE Part #1-1123722-7  
3.96 EP PLUG HSG 7P(NATURAL)



TE Part #1217113-2  
187 PL MKIII REC. 22-18AWG TPBR



TE Part #1742539-3  
CLUSTER BLOCK RECEPT,TPCuFeP

## Documents

### Product Drawings

[ULTRA-POD 250 ASSY REC 18-14 AWG NPST](#)

English

### CAD Files

[3D PDF](#)

3D

Customer View Model

[ENG\\_CVM\\_CVM\\_521087-1\\_E.2d\\_dxf.zip](#)

English

Customer View Model

[ENG\\_CVM\\_CVM\\_521087-1\\_E.3d\\_igs.zip](#)

English

Customer View Model

[ENG\\_CVM\\_CVM\\_521087-1\\_E.3d\\_stp.zip](#)

English

By downloading the CAD file I accept and agree to the [Terms and Conditions](#) of use.

### Datasheets & Catalog Pages



### [Ultra-Fast and Ultra Fast Plus](#)

English

### [Ultra-Pod Fully Insulated FASTON Receptacles and Tabs Quick Reference Guide](#)

English

### [ultra-pod-faston-receptacles-qrg](#)

English

---

### [Product Specifications](#)

#### [Application Specification](#)

English