

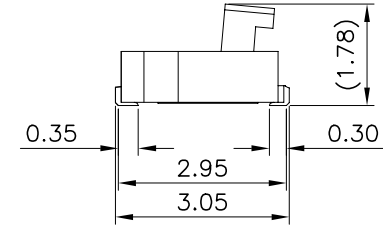
NOTES:

1. MATERIAL:
  - 1.1 HOUSING: THERMOPLASTIC, HIGH TEMP.UL94V-0; COLOR:WHITE.
  - 1.2 ACTUATOR: THERMOPLASTIC, HIGH TEMP.UL94-0; COLOR:BLACK.
  - 1.3 CONTACT: COPPER ALLOY
2. FINISH:
  - 2.1 CONTACT:
    - M: 3u" MIN. PLATING GOLD ON CONTACT
    - B: 5u" MIN. PLATING GOLD ON CONTACT
    - 1u" MIN. PLATING GOLD ON SOLDER
    - 50~120u" NICKEL PLATING OVERALL
3. SPEC. PLS. REFER TO PS-51688-XXXX-XXX
4. PACKAGE PLS. REFER TO 51688-XXXX-XX-T R P
5. PART NUMBER

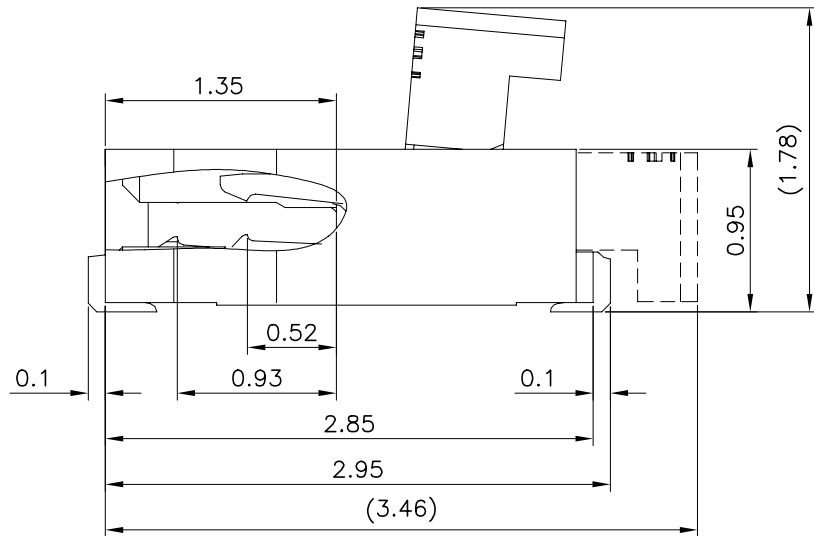
51688-XXX X X -XXX



M: 3u" GOLD ON CONTACT AND SOLDER FOR SELECTIVENESS PLATING  
 0:TAPE & REEL  
 A: TAPE & REEL(13" PLASTIC) B:5u" GOLD ON CONTACT AND SOLDER FOR SELECTIVENESS PLATING

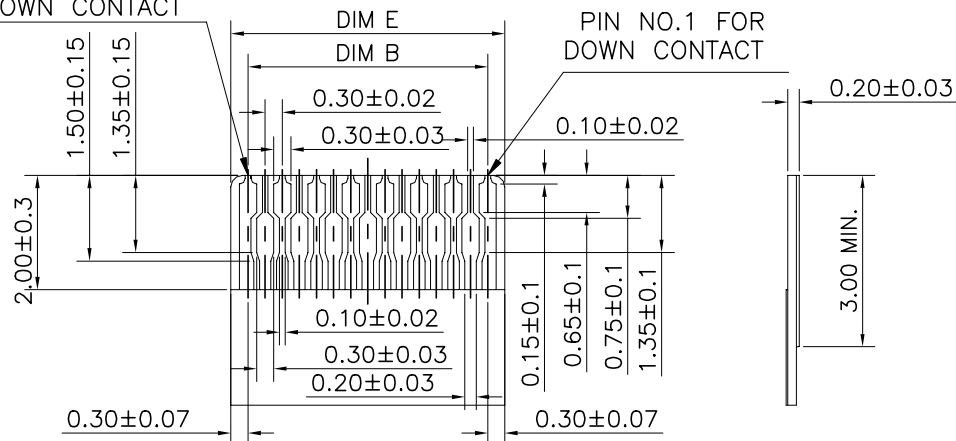


<b>QUALITY SYMBOLS</b> MAJOR Ⓜ CRITICAL Ⓢ <b>GENERAL TOLERANCES (UNLESS SPECIFIED)</b> X ± 0.50 .X ± 0.25 .XX ± 0.15 .XXX ± 0.10 ANGLES ± 2°	DRAWN BY Wang, Kai Hung	DATE 24/10/14		
	CHECKED BY Liu, Yuan Huang	DATE 24/10/14		<b>TITLE</b> 0.3MM PITCH ZIF BACK-FLIP FPC CONN SMT R/A D/C
	APPROVED BY Huang,Kuo Hua	DATE 24/10/14		
	UNITS mm			SIZE A4
SCALE 1:1	SHEET NO. 1 OF 3	REV D	PART NO. 51688-XXXX-XXX	



SCALE 3:1

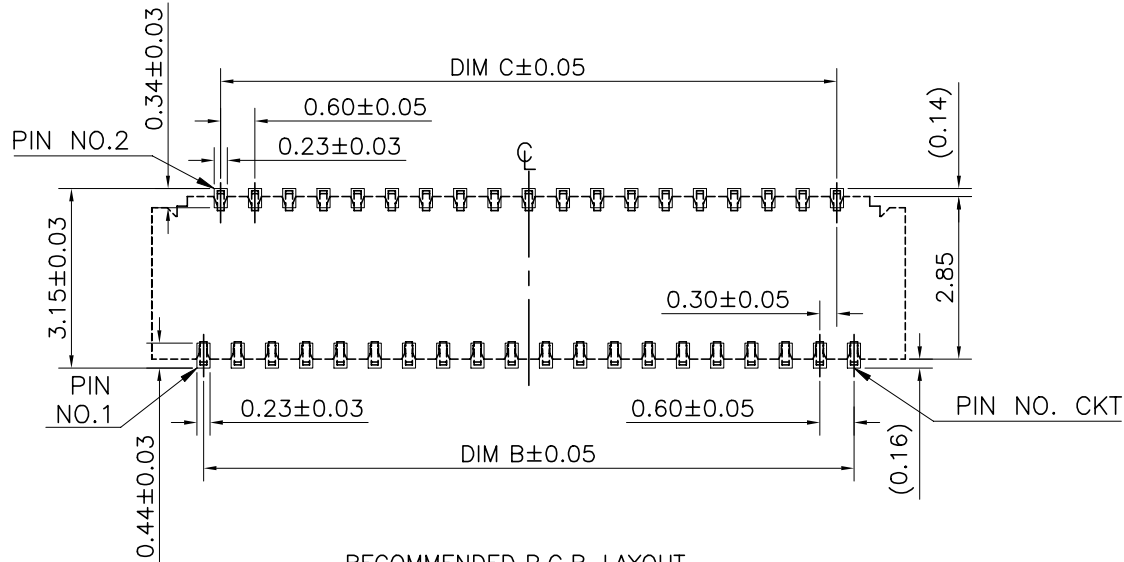
PIN NO. CKT FOR  
DOWN CONTACT



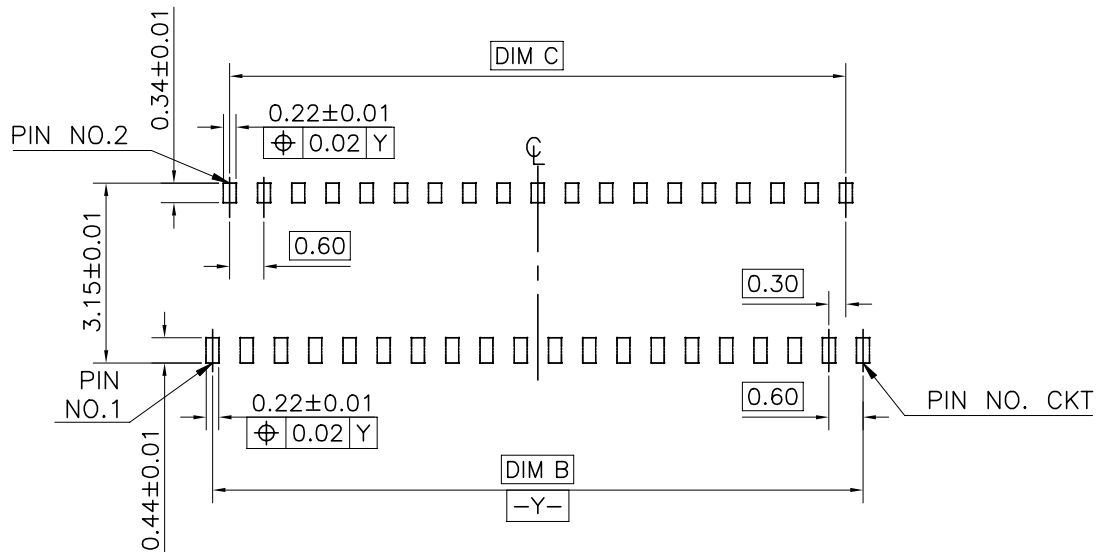
APPLICABLE FPC RECOMMENDED DIM  
(GENERAL TOLERANCE: ±0.05mm)

CKT	Dim A	Dim B	Dim C	Dim D	Dim E
7	3.60	1.80	1.20	2.43	2.40
9	4.20	2.40	1.80	3.03	3.00
11	4.80	3.00	2.40	3.63	3.60
13	5.40	3.60	3.00	4.23	4.20
15	6.00	4.20	3.60	4.83	4.80
17	6.60	4.80	4.20	5.43	5.40
19	7.20	5.40	4.80	6.03	6.00
21	7.80	6.00	5.40	6.63	6.60
23	8.40	6.60	6.00	7.23	7.20
25	9.00	7.20	6.60	7.83	7.80
27	9.60	7.80	7.20	8.43	8.40
29	10.20	8.40	7.80	9.03	9.00
31	10.80	9.00	8.40	9.63	9.60
33	11.40	9.60	9.00	10.23	10.20
35	12.00	10.20	9.60	10.83	10.80
37	12.60	10.80	10.20	11.43	11.40
39	13.20	11.40	10.80	12.03	12.00
41	13.80	12.00	11.40	12.63	12.60
45	15.00	13.20	12.60	13.83	13.80
51	16.80	15.00	14.40	15.63	15.60

<b>QUALITY SYMBOLS</b> MAJOR Ⓢ CRITICAL Ⓢ <b>GENERAL TOLERANCES (UNLESS SPECIFIED)</b> X ± 0.50 .X ± 0.25 .XX ± 0.15 .XXX ± 0.10 ANGLES ± 2°	DRAWN BY Wang, Kai Hung 24/10/14	DATE 24/10/14	
	CHECKED BY Liu, Yuan Huang 24/10/14	DATE 24/10/14	
	APPROVED BY Huang, Kuo Hua 24/10/14	DATE 24/10/14	DWG NO. NA
	UNITS mm		SIZE A4
	SCALE 1:1	SHEET NO. 2 OF 3	REV D
			PART NO. 51688-XXXX-XXX



RECOMMENDED P.C.B. LAYOUT  
 HATCHED AREA SHOWS SOLDERING LAND.  
 (GENERAL TOLERANCE:  $\pm 0.05\text{mm}$ )



RECOMMENDED STENCIL PATTERN  
 (RECOMMENDED STENCIL THICKNESS  $t=0.12\text{mm}$ )

<b>QUALITY SYMBOLS</b> MAJOR CRITICAL <b>GENERAL TOLERANCES (UNLESS SPECIFIED)</b> X. $\pm 0.50$ .X $\pm 0.25$ .XX $\pm 0.15$ .XXX $\pm 0.10$ ANGLES $\pm 2^\circ$	DRAWN BY Wang, Kai Hung	DATE 24/10/14	
	CHECKED BY Liu, Yuan Huang	DATE 24/10/14	
	APPROVED BY Huang, Kuo Hua	DATE 24/10/14	SIZE <b>A4</b>
	UNITS <b>mm</b>		DWG NO. <b>NA</b>
	SCALE <b>1:1</b>	SHEET NO. <b>3 OF 3</b>	PART NO. <b>51688-XXXXX-XXX</b>