

42765-1 ✓ ACTIVE

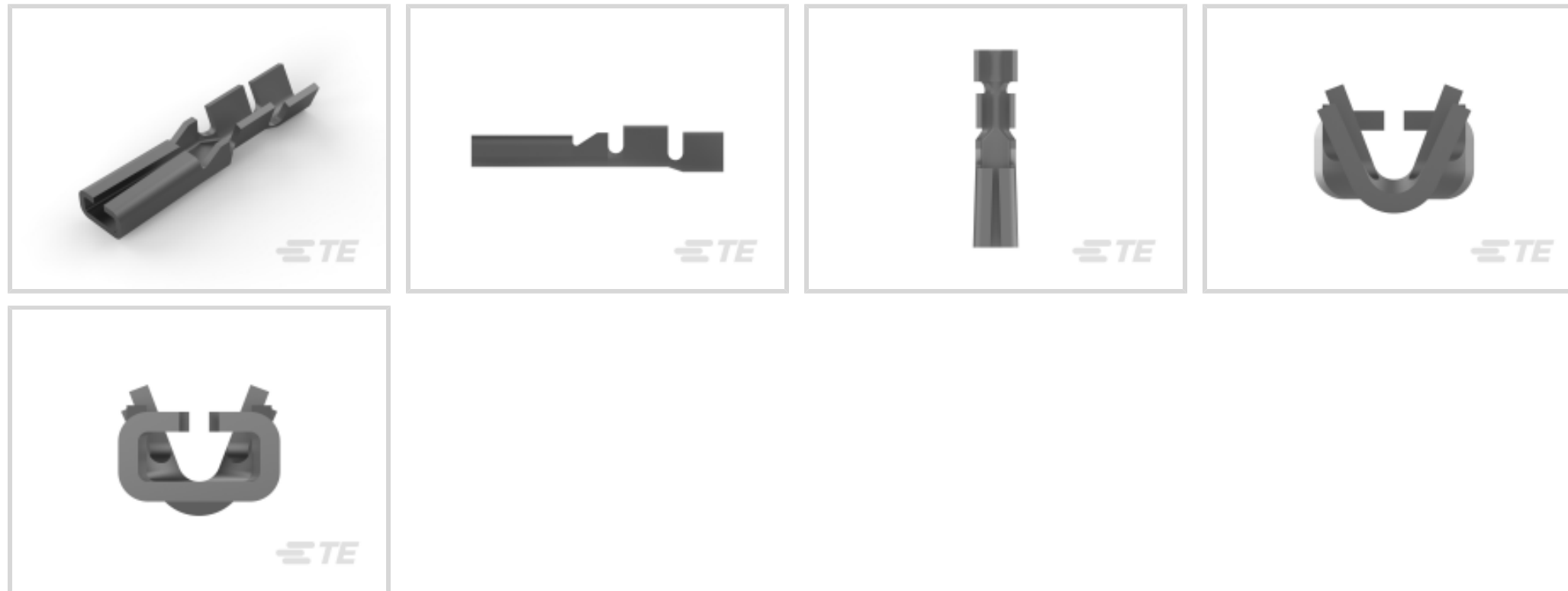
TE Internal #: 42765-1

Quick Disconnect Receptacle, Uninsulated, 24 – 22 AWG, .2 – .35 mm<sup>2</sup> Wire, 404 – 643 CMA, 1.98 mm [.078 in] Tab Width, F-Crimp, Straight, Brass

[View on TE.com >](#)



Terminals & Splices > Quick Disconnects



Quick Disconnect Terminal Type: **Receptacle**

Wire Size: **404 – 643 CMA**

Mating Tab Width: **1.98 mm [.078 in]**

## Features

### Configuration Features

Compatible With Wire & Cable Type	Discrete Wire
Connection Capacity	Single

### Contact Features

Quick Disconnect Terminal Type	Receptacle
Mating Tab Width	1.98 mm[.078 in]
Mating Tab Thickness	.58 mm[.023 in]
Terminal Orientation	Straight
Contact Base Material	Brass
Terminal Plating Material	Tin
Crimp Type	F-Crimp
Barrel Type	Open

### Termination Features

Product Terminates To	Wire & Cable
-----------------------	--------------

### Mechanical Attachment

Wire Insulation Support	With
Mating Retention Type	Dimple



### Dimensions

Product Length	12.7 mm[.5 in]
Compatible Insulation Diameter Range	1.52 mm[.06 in]
Terminal Material Thickness	.36 mm[.014 in]
Wire Size	404 – 643 CMA

### Usage Conditions

Insulation Option	Uninsulated
Operating Temperature Range	-40 – 105 °C[-40 – 221 °F]

### Industry Standards

Compatible With Agency/Standards Products	UL
---	----

### Packaging Features

Packaging Quantity	15000
Packaging Method	Reel

### Other

Line	Budget
------	--------

## Product Compliance

[For compliance documentation, visit the product page on TE.com>](#)

EU RoHS Directive 2011/65/EU	Compliant
EU ELV Directive 2000/53/EC	Compliant
China RoHS 2 Directive MIIT Order No 32, 2016	有害物质含量符合标准要求 No Restricted Substance(s) Above Threshold
EU REACH Regulation (EC) No. 1907/2006	Current ECHA Candidate List: JUNE 2025 (250) Candidate List Declared Against: JUNE 2025 (250) Does not contain REACH SVHC
Halogen Content	Low Halogen - Br, Cl, F < 900 ppm per homogenous material. Also BFR/CFR/PVC Free
Solder Process Capability	Not applicable for solder process capability

#### Product Compliance Disclaimer

This information is provided based on reasonable inquiry of our suppliers and represents our current actual knowledge based on the information they provided. This information is subject to change. The part numbers that TE has identified as EU RoHS compliant have a maximum concentration of 0.1% by weight in homogenous materials for lead, hexavalent chromium, mercury, PBB, PBDE, DBP, BBP, DEHP, DIBP, and 0.01% for cadmium, or qualify for an exemption to these

limits as defined in the Annexes of Directive 2011/65/EU (RoHS2). Finished electrical and electronic equipment products will be CE marked as required by Directive 2011/65/EU. Components may not be CE marked. Additionally, the part numbers that TE has identified as EU ELV compliant have a maximum concentration of 0.1% by weight in homogenous materials for lead, hexavalent chromium, and mercury, and 0.01% for cadmium, or qualify for an exemption to these limits as defined in the Annexes of Directive 2000/53/EC (ELV). Regarding the REACH Regulation, the information TE provides on SVHC in articles for this part number is based on the latest European Chemicals Agency (ECHA) 'Guidance on requirements for substances in articles' posted at this URL: <https://echa.europa.eu/guidance-documents/guidance-on-reach>

## Compatible Parts



## Customers Also Bought





TE Part #4-552008-1  
KIT, COVER, 180, 50 POS



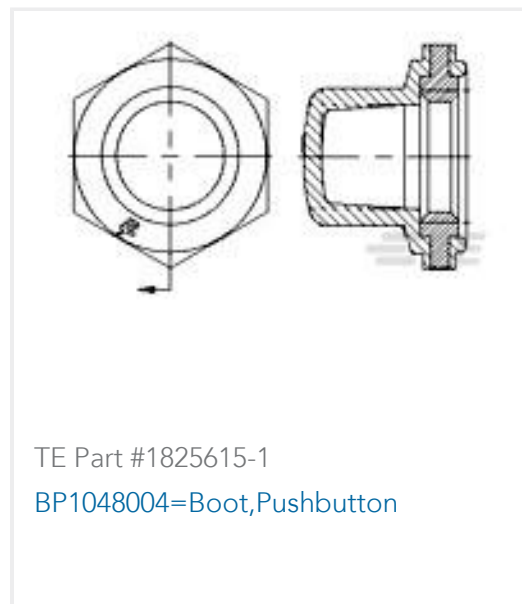
TE Part #3-641190-6  
06P MTA100 CONN ASSY RED LF



TE Part #4-1625971-0  
HSA25 33R 5%



TE Part #1825006-7  
GDS04S04=DIP SW,SLIDE,SMT



TE Part #1825615-1  
BP1048004=Boot,Pushbutton



TE Part #2-2328702-4  
24 PIN 0.5mm P FPC CONN, BACK  
FLIP LOCK

## Documents

### Product Drawings

[TAPER TAB 078 REVERSE REEL REC 24-22TPBR](#)

English

### CAD Files

Customer View Model

[ENG\\_CVM\\_CVM\\_42765-1\\_BN.2d\\_dxf.zip](#)

English

### 3D PDF

3D

Customer View Model

[ENG\\_CVM\\_CVM\\_42765-1\\_BN.3d\\_igs.zip](#)

English

Customer View Model

[ENG\\_CVM\\_CVM\\_42765-1\\_BN.3d\\_stp.zip](#)

English

By downloading the CAD file I accept and agree to the [Terms and Conditions](#) of use.

### Product Specifications

[Application Specification](#)

English

[Taper Tab 78, 98 And 196 Series Receptacle Contacts](#)

English