

280050-7 ✓ ACTIVE

FASTON | FASTON 250

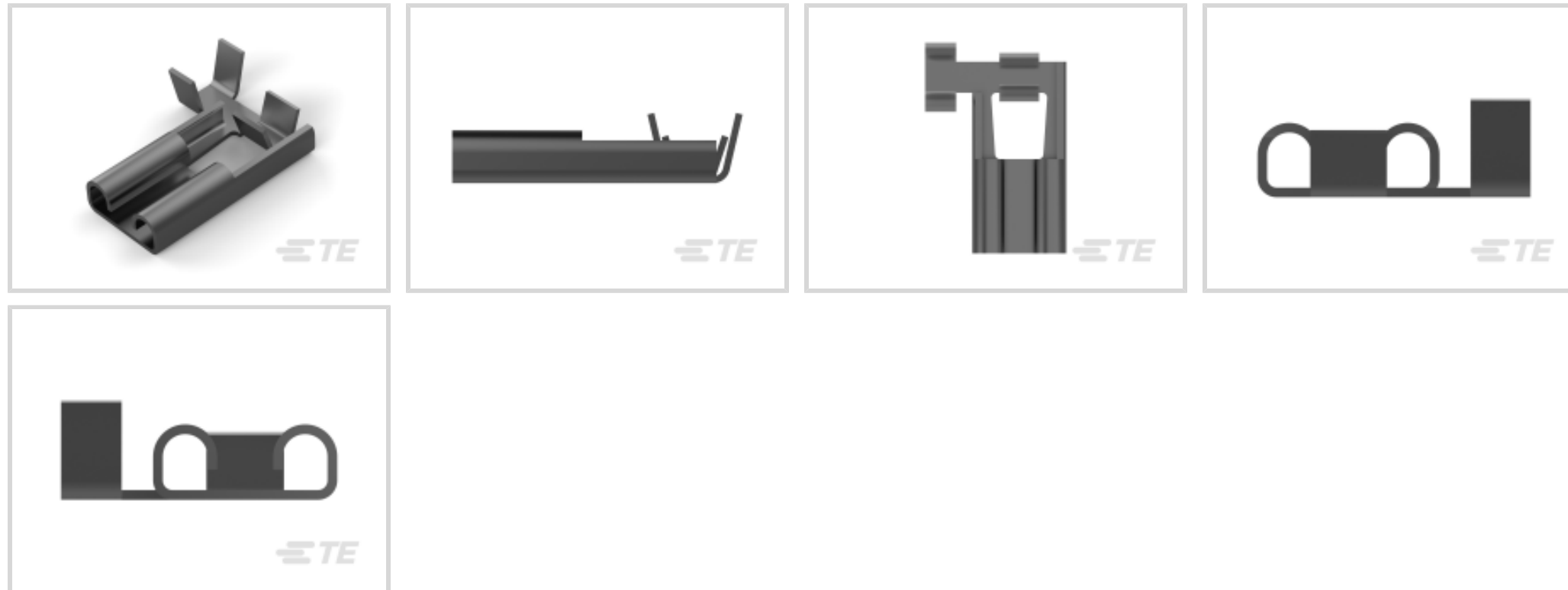
TE Internal #: 280050-7

Quick Disconnect Receptacle, Uninsulated, 16 – 20 AWG, .5 – 1.5 mm² Wire, 6.35 mm [.25 in] Tab Width, F-Crimp, Flag, Brass, Tin Plating, FASTON 250

[View on TE.com >](#)



Terminals & Splices > Quick Disconnects



Quick Disconnect Terminal Type: **Receptacle**

Wire Size: .5 – 1.5 mm²

Mating Tab Width: 6.35 mm [.25 in]

Mating Tab Thickness: .81 mm [.032 in]

Features

Product Type Features

Insertion Force	Normal
-----------------	--------

Configuration Features

Compatible With Wire & Cable Type	Discrete Wire
-----------------------------------	---------------

Connection Capacity	Single
---------------------	--------

Electrical Characteristics

Voltage Rating	250 V
----------------	-------

Contact Features

Quick Disconnect Terminal Type	Receptacle
--------------------------------	------------

Mating Tab Width	6.35 mm [.25 in]
------------------	------------------

Mating Tab Thickness	.81 mm [.032 in]
----------------------	------------------

Terminal Orientation	Flag
----------------------	------

Contact Base Material	Brass
-----------------------	-------

Terminal Plating Material	Tin
---------------------------	-----

Crimp Type	F-Crimp
------------	---------



Barrel Type	Open
-------------	------

Termination Features

Product Terminates To	Wire & Cable
-----------------------	--------------

Mechanical Attachment

Wire Insulation Support	With
-------------------------	------

Mating Retention Type	Dimple
-----------------------	--------

Dimensions

Product Length	16.8 mm [.661 in]
----------------	-------------------

Compatible Insulation Diameter Range	2.36 – 3.3 mm [.093 – .13 in]
--------------------------------------	-------------------------------

Terminal Material Thickness	.41 mm [.016 in]
-----------------------------	------------------

Wire Size	.5 – 1.5 mm ²
-----------	--------------------------

Usage Conditions

Insulation Option	Uninsulated
-------------------	-------------

Operating Temperature Range	-40 – 110 °C [-40 – 230 °F]
-----------------------------	-----------------------------

Industry Standards

Compatible With Agency/Standards Products	UL
---	----

UL Flammability Rating	UL 94V-2
------------------------	----------

Packaging Features

Packaging Quantity	4000
--------------------	------

Packaging Method	Strip/Reel
------------------	------------

Other

Line	Premier
------	---------

Product Compliance

[For compliance documentation, visit the product page on TE.com>](#)

EU RoHS Directive 2011/65/EU	Compliant
------------------------------	-----------

EU ELV Directive 2000/53/EC	Compliant
-----------------------------	-----------

China RoHS 2 Directive MIIT Order No 32, 2016	有害物质含量符合标准要求 No Restricted Substance(s) Above Threshold
---	---

EU REACH Regulation (EC) No. 1907/2006	Current ECHA Candidate List: JUNE 2025 (250) Candidate List Declared Against: JUNE 2025 (250) Does not contain REACH SVHC
--	---



Halogen Content	Low Halogen - Br, Cl, F < 900 ppm per homogenous material. Also BFR/CFR/PVC Free
-----------------	--

Solder Process Capability	Not applicable for solder process capability
---------------------------	--

Product Compliance Disclaimer

This information is provided based on reasonable inquiry of our suppliers and represents our current actual knowledge based on the information they provided. This information is subject to change. The part numbers that TE has identified as EU RoHS compliant have a maximum concentration of 0.1% by weight in homogenous materials for lead, hexavalent chromium, mercury, PBB, PBDE, DBP, BBP, DEHP, DIBP, and 0.01% for cadmium, or qualify for an exemption to these limits as defined in the Annexes of Directive 2011/65/EU (RoHS2). Finished electrical and electronic equipment products will be CE marked as required by Directive 2011/65/EU. Components may not be CE marked. Additionally, the part numbers that TE has identified as EU ELV compliant have a maximum concentration of 0.1% by weight in homogenous materials for lead, hexavalent chromium, and mercury, and 0.01% for cadmium, or qualify for an exemption to these limits as defined in the Annexes of Directive 2000/53/EC (ELV). Regarding the REACH Regulation, the information TE provides on SVHC in articles for this part number is based on the latest European Chemicals Agency (ECHA) 'Guidance on requirements for substances in articles' posted at this URL: <https://echa.europa.eu/guidance-documents/guidance-on-reach>

Compatible Parts

TE Part # 180388-2
250 FASTON,REC.,20-16 AWG,TPBR

TE Part # 190735-7
250 FASTON,FLAG,REC.,20-16 AWG,PTBR

TE Part # 2836223-2
OCEAN_2.0_Applicator-S-100F140F-SSA

TE Part # 2376595-2
250 FASTON PCB TAB TPBR

KIT
REPRESENTATION ONLY

TE Part # 7-2836223-7
OCEAN_2.0_SPARE_PART_KIT-100F140F

Also in the Series | FASTON 250

Compression Connectors(4)

Crimp Terminal Housings(116)

Insulation Boots & Sleeves(16)

Magnet Wire Terminals(1)



PCB Terminals(131)



Quick Disconnects(409)



Splices(4)

Customers Also Bought



TE Part #800746-SF
FN2010B-10-06



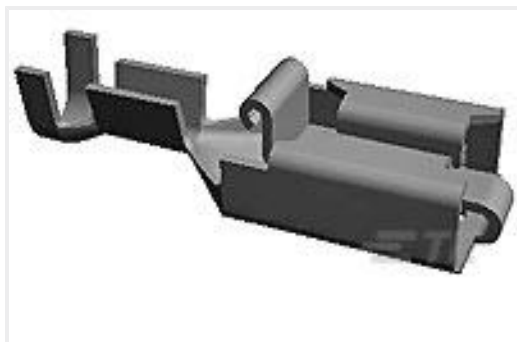
TE Part #803745-SF
FN9222-10-06



TE Part #F40876-000
B-155-9002



TE Part #154719-1
250 HSG. PL MKI REC. NAT



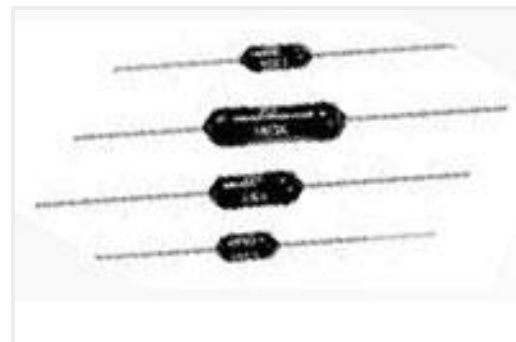
TE Part #170233-2
POSITIVE LOCK 250 REC 0.5-2.27
MM2 TPBR



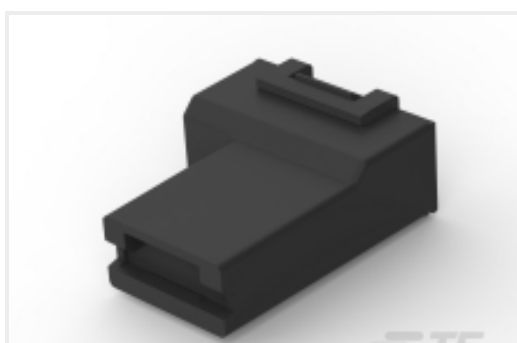
TE Part #7-180984-5
250 FASTON BOOT FLAG REC. 1P
BLACK



TE Part #926898-1
UNIV.M-N-L.PIN



TE Part #5-1879664-6
H8 4K32 0.1% 15PPM



TE Part #2133857-3
250 FASTON HSG.,FLAG,REC.,1 POS,
BLACK



TE Part #2103172-9
Plug Assembly, 250A, MSD

Documents

Product Drawings

[250 FASTON,FLAG,REC.,16-20 AWG,TPPB](#)

English

CAD Files

[3D PDF](#)

3D

Customer View Model

[ENG_CVM_CVM_280050-7_BC.2d_dxf.zip](#)



English

Customer View Model

[ENG_CVM_CVM_280050-7_BC.3d_igs.zip](#)

English

Customer View Model

[ENG_CVM_CVM_280050-7_BC.3d_stp.zip](#)

English

By downloading the CAD file I accept and agree to the [Terms and Conditions](#) of use.

Datasheets & Catalog Pages

[FASTON TERMINALS \(INSULATED AND UNINSULATED\) - FULL CATALOG](#)

English

Product Specifications

[FASTON & FASTIN-FASTON conn. .250 srs. flag rec. etc.](#)

[Application Specification](#)

Agency Approvals

[UL Report](#)

English