

1969110-2 ✓ ACTIVE

Ultra-Pod | Ultra-Pod 250

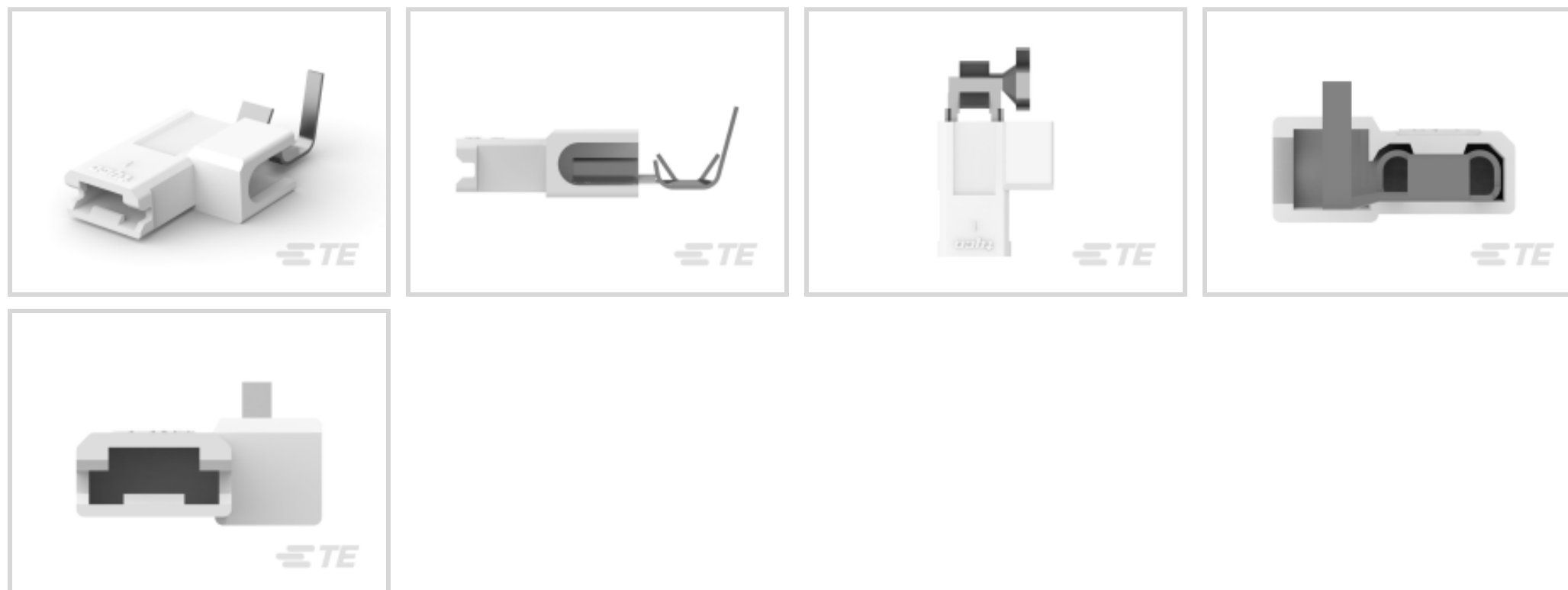
TE Internal #: 1969110-2

Quick Disconnect Receptacle, Fully Insulated, 18 – 14 AWG / 20 AWG, .51 mm² / .82 – 2.08 mm² Wire, 6.35 mm [.25 in] Tab Width, F-Crimp, Ultra-Pod 250

[View on TE.com >](#)



Terminals & Splices > Quick Disconnects > ULTRA POD: Flag, Receptacle Assembly, Tin Plated, .250 inch



Quick Disconnect Terminal Type: **Receptacle**

Wire Size: .51 mm², .82 – 2.08 mm²

Mating Tab Width: 6.35 mm [.25 in]

Terminal Orientation: **Flag**

[All ULTRA POD: Flag, Receptacle Assembly, Tin Plated, .250 inch \(8\)](#)

Features

Configuration Features

Compatible With Wire & Cable Type	Discrete Wire
Connection Capacity	Single

Body Features

Insulation Material	Nylon
---------------------	-------

Contact Features

Quick Disconnect Terminal Type	Receptacle
Mating Tab Width	6.35 mm [.25 in]
Terminal Orientation	Flag
Contact Base Material	Brass
Terminal Plating Material	Tin
Crimp Type	F-Crimp
Barrel Type	Open

Termination Features



Product Terminates To	Wire & Cable
-----------------------	--------------

Mechanical Attachment

Wire Insulation Support	With
-------------------------	------

Dimensions

Compatible Insulation Diameter Range	2.79 – 4.06 mm [.11 – .16 in]
--------------------------------------	-------------------------------

Terminal Material Thickness	.41 mm [.016 in]
-----------------------------	------------------

Wire Size	.51 mm ² , .82 – 2.08 mm ²
-----------	--

Usage Conditions

Insulation Option	Fully Insulated
-------------------	-----------------

Operating Temperature Range	-40 – 150 °C [-40 – 302 °F]
-----------------------------	-----------------------------

Packaging Features

Packaging Quantity	7200
--------------------	------

Packaging Method	Strip/Reel
------------------	------------

Product Compliance

[For compliance documentation, visit the product page on TE.com>](#)

EU RoHS Directive 2011/65/EU	Compliant
------------------------------	-----------

EU ELV Directive 2000/53/EC	Compliant
-----------------------------	-----------

China RoHS 2 Directive MIIT Order No 32, 2016	有害物质含量符合标准要求 No Restricted Substance(s) Above Threshold
---	---

EU REACH Regulation (EC) No. 1907/2006	Current ECHA Candidate List: JUNE 2025 (250) Candidate List Declared Against: JUNE 2025 (250) Does not contain REACH SVHC
--	---

Halogen Content	Not Low Halogen - contains Br or Cl > 900 ppm.
-----------------	--

Solder Process Capability	Not applicable for solder process capability
---------------------------	--

Product Compliance Disclaimer

This information is provided based on reasonable inquiry of our suppliers and represents our current actual knowledge based on the information they provided. This information is subject to change. The part numbers that TE has identified as EU RoHS compliant have a maximum concentration of 0.1% by weight in homogenous materials for lead, hexavalent chromium, mercury, PBB, PBDE, DBP, BBP, DEHP, DIBP, and 0.01% for cadmium, or qualify for an exemption to these limits as defined in the Annexes of Directive 2011/65/EU (RoHS2). Finished electrical and electronic equipment products will be CE marked as required by Directive 2011/65/EU. Components may not be CE marked. Additionally, the part numbers that TE has identified as EU ELV compliant have a maximum concentration of 0.1% by weight in homogenous materials for lead, hexavalent chromium, and mercury, and 0.01% for cadmium, or qualify for an exemption to these limits as defined in the Annexes of Directive 2000/53/EC (ELV). Regarding the REACH Regulation, the information TE provides on SVHC in articles for this part number is based on the latest European Chemicals Agency (ECHA) 'Guidance on

requirements for substances in articles' posted at this URL: <https://echa.europa.eu/guidance-documents/guidance-on-reach>

Compatible Parts



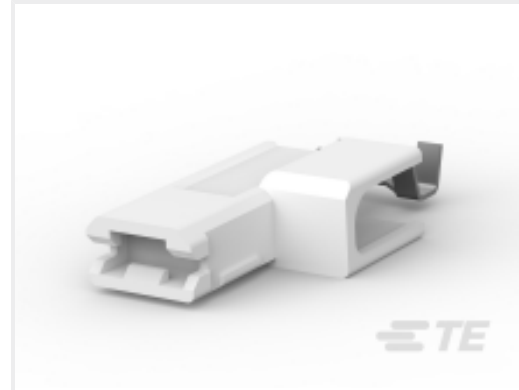
TE Part # CAT-UL8-25021
ULTRA POD: Flag, Receptacle Assembly, Tin Plated, .250 inch



TE Part # 521282-1
ULTRA-POD 250 ASS REC 18-14 AWG BR LIF



TE Part # 1969109-1
ULTRA-POD 250 ASSY REC 18-14 AWG BR



TE Part # CAT-UL8-187
ULTRA POD: Flag, Receptacle Assembly, Tin Plated, .187 inch



TE Part # 520971-1
ULTRA-POD 250 ASY REC 18-14 AWG BR

Also in the Series | Ultra-Pod 250



Insertion & Extraction Tools(2)



Quick Disconnects(42)

Customers Also Bought



TE Part #52124-1
TERMINAL, PIDG, R 26-22 10



TE Part #61299-3
SPLICE 7000-12500 .031 BR



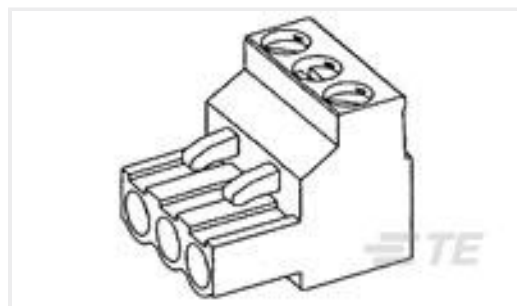
TE Part #86286-1
KEYING PLUG



TE Part #500004-1
SPIRAP 1/4" FR PE, WHITE, 50FT



TE Part #521632-2
ULTRA-POD 250 ASSY REC 18-14
AWG TPBR



TE Part #796640-2
2 POS 5.0 MM R/A PLUG, TRM BLK



TE Part #926307-1
6P UNIV.M-N-L.CAP



TE Part #1775441-5
EMIX CONN., 1.5MM PITCH, RCPT,
HSG, 5P



TE Part #2334614-2
Power Versa-Lock BACK COVER 2P



TE Part #7-2378158-2
Power Versa-Lock CAP, 1X2 KEY G

Documents

Product Drawings

ULTRA-POD 250 ASSY REC 18-14 AWG TPBR

English

CAD Files

3D PDF

3D

Customer View Model

[ENG_CVM_CVM_1969110-2_A.2d_dxf.zip](#)

English

Customer View Model

[ENG_CVM_CVM_1969110-2_A.3d_igs.zip](#)

English

Customer View Model

[ENG_CVM_CVM_1969110-2_A.3d_stp.zip](#)

English

By downloading the CAD file I accept and agree to the [Terms and Conditions](#) of use.

Datasheets & Catalog Pages

Ultra-Fast and Ultra Fast Plus

English

Ultra-Pod Fully Insulated FASTON Receptacles and Tabs Quick Reference Guide

English

[ultra-pod-faston-receptacles-qrg](#)

English

Product Specifications



Application Specification

English