



Terminals & Splices > Quick Disconnects



Quick Disconnect Terminal Type: **Receptacle**

Wire Size: 1 – 2.5 mm<sup>2</sup>

Mating Tab Width: 6.35 mm [.25 in]

Mating Tab Thickness: .81 mm [.032 in]

## Features

### Product Type Features

Insertion Force	Normal
-----------------	--------

### Configuration Features

Compatible With Wire & Cable Type	Discrete Wire
Connection Capacity	Single

### Electrical Characteristics

Voltage Rating	250 V
----------------	-------

### Contact Features

Quick Disconnect Terminal Type	Receptacle
Mating Tab Width	6.35 mm [.25 in]
Mating Tab Thickness	.81 mm [.032 in]
Terminal Orientation	Flag
Contact Base Material	Phosphor Bronze
Terminal Plating Material	Tin
Crimp Type	F-Crimp



Barrel Type	Open
-------------	------

### Termination Features

Product Terminates To	Wire & Cable
-----------------------	--------------

### Mechanical Attachment

Wire Insulation Support	With
-------------------------	------

Mating Retention Type	Dimple
-----------------------	--------

### Dimensions

Product Length	14.2 mm [.559 in]
----------------	-------------------

Compatible Insulation Diameter Range	2.5 – 3.81 mm [.098 – .15 in]
--------------------------------------	-------------------------------

Terminal Material Thickness	.41 mm [.016 in]
-----------------------------	------------------

Wire Size	1 – 2.5 mm <sup>2</sup>
-----------	-------------------------

### Usage Conditions

Insulation Option	Uninsulated
-------------------	-------------

Operating Temperature Range	-40 – 110 °C [-40 – 230 °F]
-----------------------------	-----------------------------

### Industry Standards

Compatible With Agency/Standards Products	UL
---	----

UL Flammability Rating	UL 94V-2
------------------------	----------

### Packaging Features

Packaging Quantity	3000
--------------------	------

Packaging Method	Strip/Reel
------------------	------------

### Other

Line	Premier
------	---------

## Product Compliance

[For compliance documentation, visit the product page on TE.com>](#)

EU RoHS Directive 2011/65/EU	Compliant
------------------------------	-----------

EU ELV Directive 2000/53/EC	Compliant
-----------------------------	-----------

China RoHS 2 Directive MIIT Order No 32, 2016	有害物质含量符合标准要求 No Restricted Substance(s) Above Threshold
---	---

EU REACH Regulation (EC) No. 1907/2006	Current ECHA Candidate List: JUNE 2025 (250) Candidate List Declared Against: JUNE 2025 (250) Does not contain REACH SVHC
--	---

Halogen Content

Low Halogen - Br, Cl, F < 900 ppm per homogenous material. Also BFR/CFR/PVC Free

Solder Process Capability

Not applicable for solder process capability

Product Compliance Disclaimer

This information is provided based on reasonable inquiry of our suppliers and represents our current actual knowledge based on the information they provided. This information is subject to change. The part numbers that TE has identified as EU RoHS compliant have a maximum concentration of 0.1% by weight in homogenous materials for lead, hexavalent chromium, mercury, PBB, PBDE, DBP, BBP, DEHP, DIBP, and 0.01% for cadmium, or qualify for an exemption to these limits as defined in the Annexes of Directive 2011/65/EU (RoHS2). Finished electrical and electronic equipment products will be CE marked as required by Directive 2011/65/EU. Components may not be CE marked. Additionally, the part numbers that TE has identified as EU ELV compliant have a maximum concentration of 0.1% by weight in homogenous materials for lead, hexavalent chromium, and mercury, and 0.01% for cadmium, or qualify for an exemption to these limits as defined in the Annexes of Directive 2000/53/EC (ELV). Regarding the REACH Regulation, the information TE provides on SVHC in articles for this part number is based on the latest European Chemicals Agency (ECHA) 'Guidance on requirements for substances in articles' posted at this URL: <https://echa.europa.eu/guidance-documents/guidance-on-reach>

## Compatible Parts



**KIT**  
REPRESENTATION ONLY

TE Part # 7-2151008-7  
OCEAN\_2.0\_SPARE\_PART\_KIT-1110F180F



TE Part # 2151008-2  
OCEAN\_2.0\_APPLICATOR-S-110F180F-SSA



TE Part # 180397-5  
250 FASTON, FLAG, REC., 17-14 AWG, TPPB



TE Part # 180397-2  
250 FASTON, FLAG, REC., 17-14 AWG, TPBR



TE Part # 1-100645-3  
250 FASTON, REC., 14-17 AWG, PHBZ




TE Part # 160862-8  
FF FAH STECKH 8,0

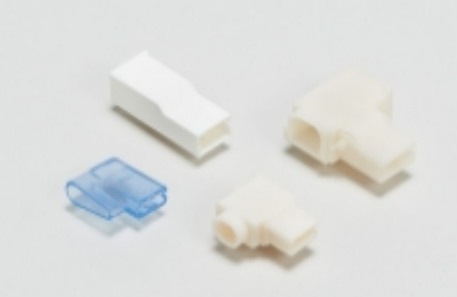


TE Part # 180397-1  
250 FASTON, FLAG, REC., 17-14 AWG, BR


## Also in the Series | FASTON 250



Compression Connectors(4)



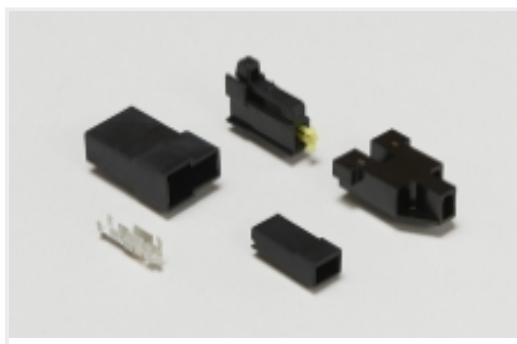
Crimp Terminal Housings(116)



Insertion & Extraction Tools(6)



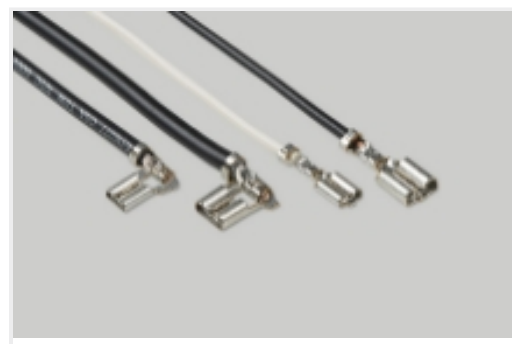
Insulation Boots & Sleeves(16)



Magnet Wire Terminals(1)



PCB Terminals(131)



Quick Disconnects(409)



Splices(4)

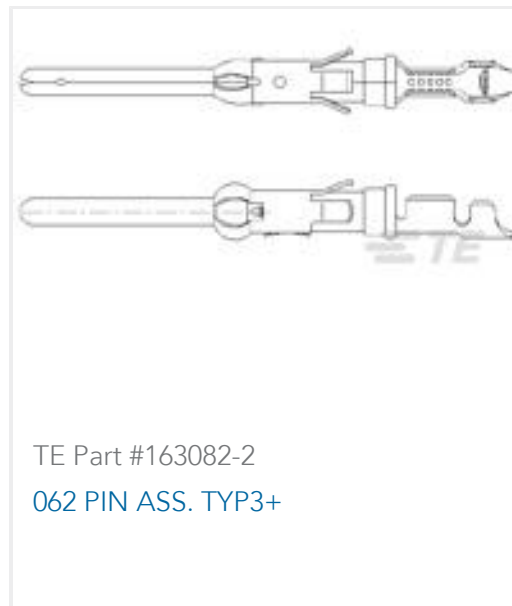
## Customers Also Bought



TE Part #GA1K2A1  
DISCRETE 1K OHMS, +/-0.2C FROM  
0C TO 25C



TE Part #160831-4  
PL REC 1.0-2.5 MM2 .0160 X 2.060  
TPPHBZ



TE Part #163082-2  
062 PIN ASS. TYP3+



TE Part #165565-2  
2,8 PIDG FASTON REC



TE Part #180430-2  
250 FASTON, FLAG, REC., 20-16 AWG,  
TPBR



TE Part #207440-1  
9 POS SQ GRID METRIMATE-RCPT



TE Part #926539-6  
250 FASTON HSG. REC. 1P NATURAL



TE Part #928901-4  
PL 250 REC TERMINAL 17-13 TPPB LP



TE Part #1-180984-0  
FASTON 250 FLAG BOOT NYLON  
NAT



TE Part #3-1105300-2  
HVT-C-Sti.Au.1,5 qmm

## Documents

### Product Drawings

[250 FASTON, FLAG, REC., 14-17AWG, LATON](#)

English

### CAD Files

Customer View Model

[ENG\\_CVM\\_CVM\\_180464-5\\_AV.2d\\_dxf.zip](#)

English

[3D PDF](#)



3D

Customer View Model

[ENG\\_CVM\\_CVM\\_180464-5\\_AV.3d\\_igs.zip](#)

English

Customer View Model

[ENG\\_CVM\\_CVM\\_180464-5\\_AV.3d\\_stp.zip](#)

English

By downloading the CAD file I accept and agree to the [Terms and Conditions](#) of use.

---

### Product Specifications

[FASTON & FASTIN-FASTON conn. .250 srs. flag rec. ctc.](#)

[Application Specification](#)

---

### Agency Approvals

[UL Report](#)

English