

160834-5 ✓ ACTIVE

FASTON | FASTON 250

TE Internal #: 160834-5

Quick Disconnect Tab & Receptacle, Partially Insulated, 22 – 16

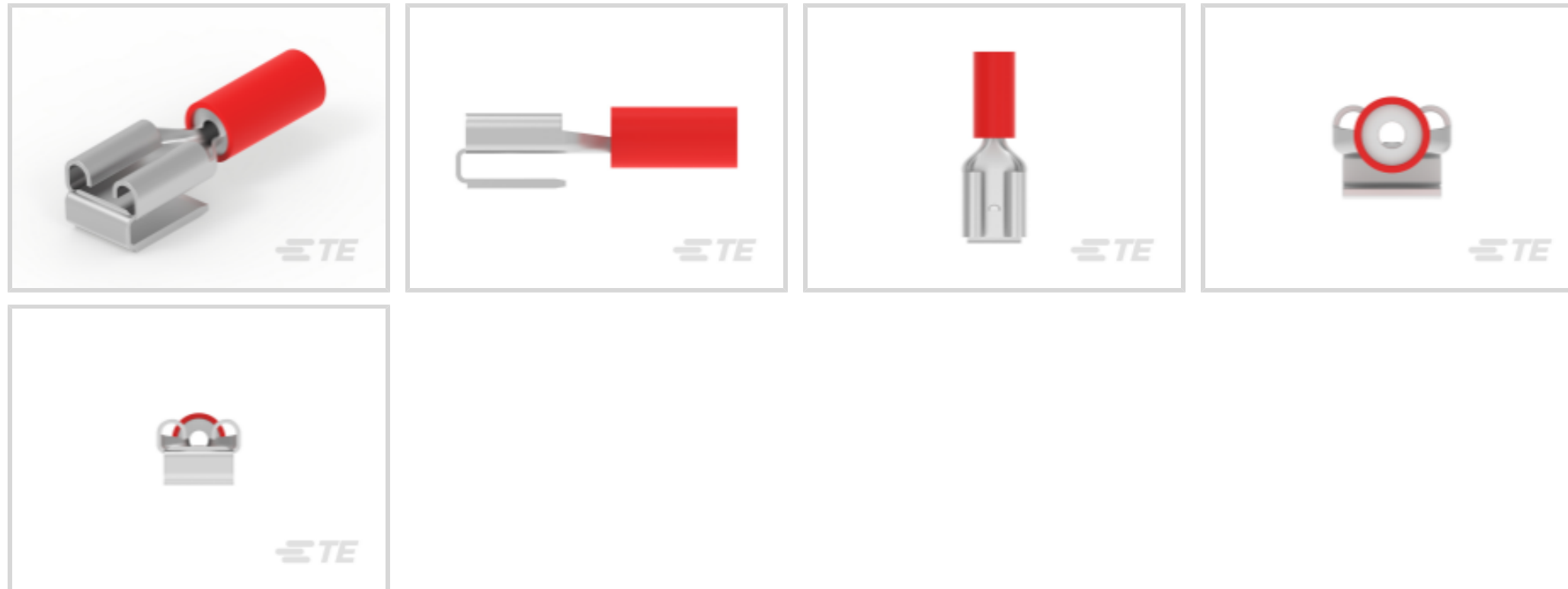
AWG, .3 – 1.5 mm<sup>2</sup> Wire, 592 – 3260 CMA, 6.35 mm [.25 in] Tab

Width, FASTON 250

[View on TE.com >](#)



Terminals & Splices > Quick Disconnects



Quick Disconnect Terminal Type: **Tab & Receptacle**

Wire Size: **592 – 3260 CMA**

Mating Tab Width: **6.35 mm [.25 in]**

## Features

### Product Type Features

Insertion Force	Normal
-----------------	--------

### Configuration Features

Connection Capacity	Single
---------------------	--------

### Electrical Characteristics

Voltage Rating	300 V
----------------	-------

### Body Features

Insulation Material	Nylon
---------------------	-------

### Contact Features

Quick Disconnect Terminal Type	Tab & Receptacle
--------------------------------	------------------

Mating Tab Width	6.35 mm [.25 in]
------------------	------------------

Mating Tab Thickness	.81 mm [.032 in]
----------------------	------------------

Terminal Orientation	Piggyback
----------------------	-----------

Contact Base Material	Phosphor Bronze
-----------------------	-----------------

Terminal Plating Material	Tin
---------------------------	-----

Crimp Type	Compression Crimp
------------	-------------------



Barrel Type	Closed
-------------	--------

### Termination Features

Product Terminates To	Wire & Cable
-----------------------	--------------

### Mechanical Attachment

Wire Insulation Support	With
-------------------------	------

Mating Retention Type	Dimple
-----------------------	--------

### Dimensions

Product Length	23.54 mm[.927 in]
----------------	-------------------

Compatible Insulation Diameter Range	3.56 mm[.14 in]
--------------------------------------	-----------------

Wire Size	592 – 3260 CMA
-----------	----------------

### Usage Conditions

Insulation Option	Partially Insulated
-------------------	---------------------

### Packaging Features

Packaging Quantity	500
--------------------	-----

Packaging Method	Loose Piece
------------------	-------------

### Other

Barrel Color	Red
--------------	-----

## Product Compliance

[For compliance documentation, visit the product page on TE.com>](#)

EU RoHS Directive 2011/65/EU	Compliant
------------------------------	-----------

EU ELV Directive 2000/53/EC	Compliant
-----------------------------	-----------

China RoHS 2 Directive MIIT Order No 32, 2016	有害物质含量符合标准要求 No Restricted Substance(s) Above Threshold
---	---

EU REACH Regulation (EC) No. 1907/2006	Current ECHA Candidate List: JUNE 2025 (250) Candidate List Declared Against: JUNE 2025 (250) Does not contain REACH SVHC
--	---

Halogen Content	Low Halogen - Br, Cl, F < 900 ppm per homogenous material. Also BFR/CFR/PVC Free
-----------------	--

Solder Process Capability	Not applicable for solder process capability
---------------------------	--

Product Compliance Disclaimer



This information is provided based on reasonable inquiry of our suppliers and represents our current actual knowledge based on the information they provided. This information is subject to change. The part numbers that TE has identified as EU RoHS compliant have a maximum concentration of 0.1% by weight in homogenous materials for lead, hexavalent chromium, mercury, PBB, PBDE, DBP, BBP, DEHP, DIBP, and 0.01% for cadmium, or qualify for an exemption to these limits as defined in the Annexes of Directive 2011/65/EU (RoHS2). Finished electrical and electronic equipment products will be CE marked as required by Directive 2011/65/EU. Components may not be CE marked. Additionally, the part numbers that TE has identified as EU ELV compliant have a maximum concentration of 0.1% by weight in homogenous materials for lead, hexavalent chromium, and mercury, and 0.01% for cadmium, or qualify for an exemption to these limits as defined in the Annexes of Directive 2000/53/EC (ELV). Regarding the REACH Regulation, the information TE provides on SVHC in articles for this part number is based on the latest European Chemicals Agency (ECHA) 'Guidance on requirements for substances in articles' posted at this URL: <https://echa.europa.eu/guidance-documents/guidance-on-reach>

## Compatible Parts

TE Part # 2392021-1  
RED BATTERY DAHT KIT 110V (47689-4)

TE Part # 2063030-1  
SDE DIESET, RBY, UL

TE Part # 169404  
CERTI-LOK DIE

TE Part # 90035-3  
DAHT PIDG FASTON 22-18 ASSY

TE Part # 2392021-2  
RED BATTERY DAHT KIT 220V (47689-4)

TE Part # 47386-4  
DAHT PG PIDG 26-16 ASSY

TE Part # 58423-1  
DIE, RBY IS9252

TE Part # 58433-3  
PRO CR ASSY, RBY IS9252

## Also in the Series | FASTON 250

Compression Connectors(4)

Crimp Terminal Housings(116)

Insulation Boots & Sleeves(16)

Magnet Wire Terminals(1)



PCB Terminals(131)



Quick Disconnects(409)



Splices(4)

## Customers Also Bought



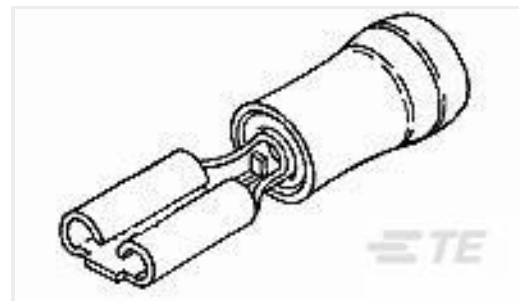
TE Part #620269-000  
D-105-31



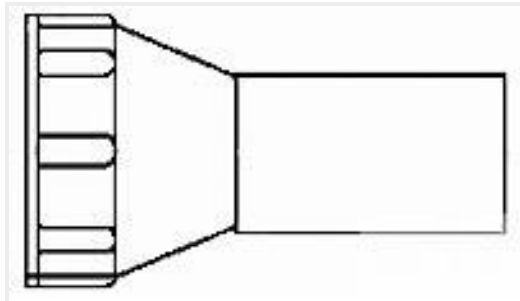
TE Part #214782-E  
EPSVA KS GDM4 EE 10 3,8 SN \*  
STROMVERSOR



TE Part #690886-000  
B-050-00



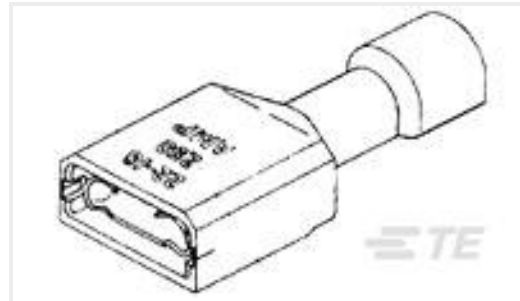
TE Part #165565-2  
2,8 PIDG FASTON REC



TE Part #213933-1  
CPC, STRAIN RELIEF, SIZE 17



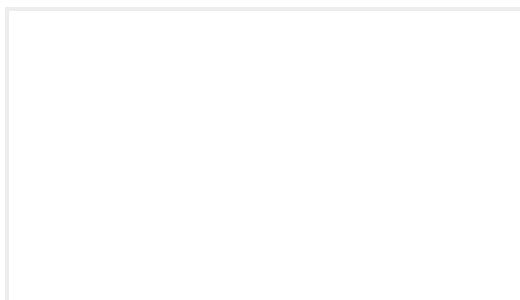
TE Part #2-326875-4  
TERMINAL, PIDG R IR 24 6



TE Part #2-520083-2  
ULTRA-FAST .110/.125 ASY REC 22-18  
TPBR



TE Part #6609056-2  
6MV1=F7757 S0



TE Part #1630372-1  
R5007 100R 10%



TE Part #1-1106101-1  
F-BU-M3

## Documents

### Product Drawings

[PIDG PIGGY-B FASTON](#)

English

### CAD Files

[3D PDF](#)

3D

### Customer View Model

[ENG\\_CVM\\_CVM\\_160834-5\\_H.2d\\_dxf.zip](#)



English

**Customer View Model**

[ENG\\_CVM\\_CVM\\_160834-5\\_H.3d\\_igs.zip](#)

English

**Customer View Model**

[ENG\\_CVM\\_CVM\\_160834-5\\_H.3d\\_stp.zip](#)

English

**3D PDF**

English

**Customer View Model**

[ENG\\_CVM\\_160834-5\\_C1.2d\\_dxf.zip](#)

English

**Customer View Model**

[ENG\\_CVM\\_160834-5\\_C1.3d\\_igs.zip](#)

English

**Customer View Model**

[ENG\\_CVM\\_160834-5\\_C1.3d\\_stp.zip](#)

English

By downloading the CAD file I accept and agree to the [Terms and Conditions](#) of use.

---

### Datasheets & Catalog Pages

[FASTON TERMINALS \(INSULATED AND UNINSULATED\) - FULL CATALOG](#)

English

---

### Agency Approvals

[UL Report](#)

English