

160831-3 ✓ ACTIVE

Positive Lock | Mark I, Positive Lock 250

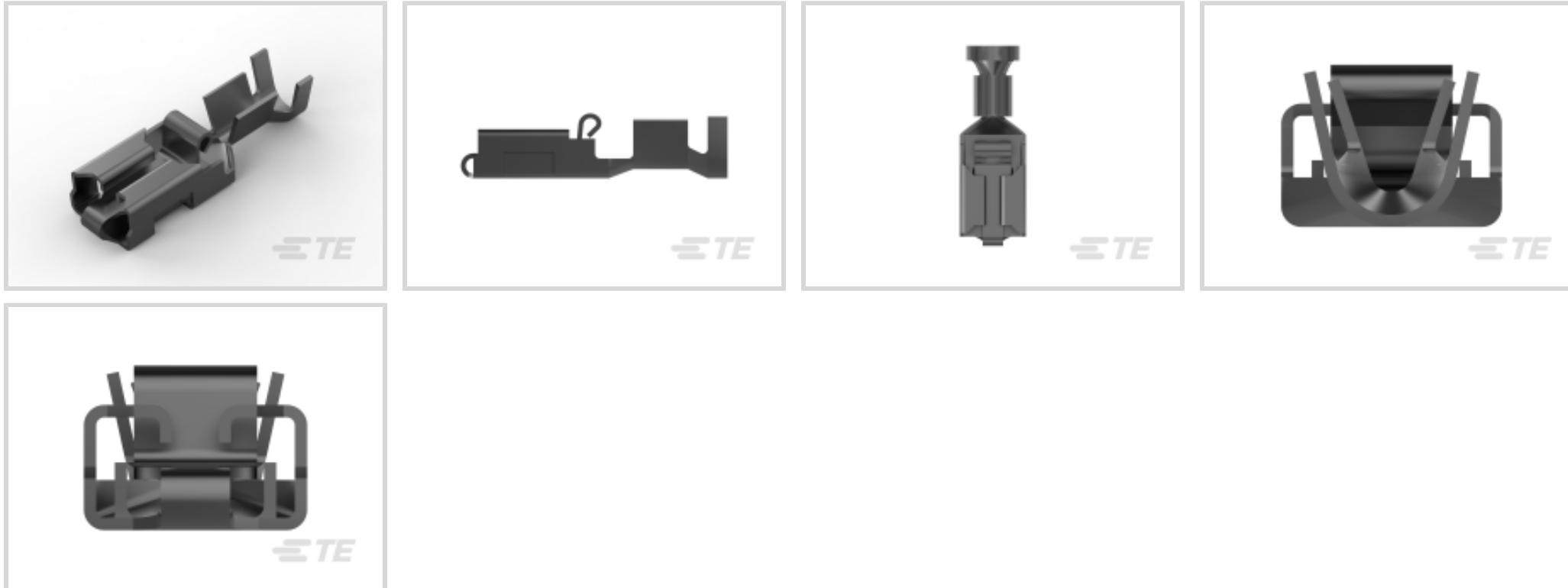
TE Internal #: 160831-3

Quick Disconnect Receptacle, Uninsulated, 17 – 13 AWG, 1.03 – 2.62 mm² Wire, 6.35 mm [.25 in] Tab Width, F-Crimp, Straight, Brass, Positive Lock 250

[View on TE.com >](#)



Terminals & Splices > Quick Disconnects



Quick Disconnect Terminal Type: **Receptacle**

Wire Size: 1.03 – 2.62 mm²

Mating Tab Width: 6.35 mm [.25 in]

Mating Tab Thickness: .81 mm [.032 in]

Features

Product Type Features

Insertion Force	Low
-----------------	-----

Configuration Features

Compatible With Wire & Cable Type	Discrete Wire
Connection Capacity	Single

Contact Features

Quick Disconnect Terminal Type	Receptacle
Mating Tab Width	6.35 mm [.25 in]
Mating Tab Thickness	.81 mm [.032 in]
Terminal Orientation	Straight
Contact Base Material	Brass
Terminal Plating Material	Tin
Crimp Type	F-Crimp
Barrel Type	Open

Termination Features

--	--



Product Terminates To	Wire & Cable
-----------------------	--------------

Mechanical Attachment

Wire Insulation Support	With
Mating Retention Type	Dimple
Extraction Force	.7 – 10.2 kgf

Dimensions

Product Length	22.5 mm [.876 in]
Compatible Insulation Diameter Range	3.1 – 4.3 mm [.12 – .169 in]
Terminal Material Thickness	.41 mm [.016 in]
Wire Size	1.03 – 2.62 mm ²

Usage Conditions

Insulation Option	Uninsulated
Operating Temperature Range	-40 – 110 °C [-40 – 230 °F]

Industry Standards

Compatible With Agency/Standards Products	UL
---	----

Packaging Features

Packaging Quantity	1500
Packaging Method	Strip/Reel

Product Compliance

[For compliance documentation, visit the product page on TE.com>](#)

EU RoHS Directive 2011/65/EU	Compliant
EU ELV Directive 2000/53/EC	Compliant
China RoHS 2 Directive MIIT Order No 32, 2016	有害物质含量符合标准要求 No Restricted Substance(s) Above Threshold
EU REACH Regulation (EC) No. 1907/2006	Current ECHA Candidate List: JUNE 2025 (250) Candidate List Declared Against: JUNE 2025 (250) Does not contain REACH SVHC
Halogen Content	Low Halogen - Br, Cl, F < 900 ppm per homogenous material. Also BFR/CFR/PVC Free
Solder Process Capability	Not applicable for solder process capability

Product Compliance Disclaimer

This information is provided based on reasonable inquiry of our suppliers and represents our current actual knowledge based on the information they provided. This information is subject to change. The part numbers that TE has identified as EU RoHS compliant have a maximum concentration of 0.1% by weight in homogenous materials for lead, hexavalent chromium, mercury, PBB, PBDE, DBP, BBP, DEHP, DIBP, and 0.01% for cadmium, or qualify for an exemption to these limits as defined in the Annexes of Directive 2011/65/EU (RoHS2). Finished electrical and electronic equipment products will be CE marked as required by Directive 2011/65/EU. Components may not be CE marked. Additionally, the part numbers that TE has identified as EU ELV compliant have a maximum concentration of 0.1% by weight in homogenous materials for lead, hexavalent chromium, and mercury, and 0.01% for cadmium, or qualify for an exemption to these limits as defined in the Annexes of Directive 2000/53/EC (ELV). Regarding the REACH Regulation, the information TE provides on SVHC in articles for this part number is based on the latest European Chemicals Agency (ECHA) 'Guidance on requirements for substances in articles' posted at this URL: <https://echa.europa.eu/guidance-documents/guidance-on-reach>

Compatible Parts



TE Part # 2305570-1
Strip Terminal Cutter-Side Feed-No Crimp



TE Part # 1380089-1
PL MKIII .250 REC 1.0-2.5MM2



TE Part # 626580-2
PL 250 REC 1.0-2.5MM2 0.35X26.54 TPPHBZ




TE Part # 2266094-2
OCEAN_2.0 Applicator-S-120F155F-RSA



KIT
REPRESENTATION ONLY

TE Part # 7-2266094-7
OCEAN_2.0_SPARE_PART_KIT-120F155F

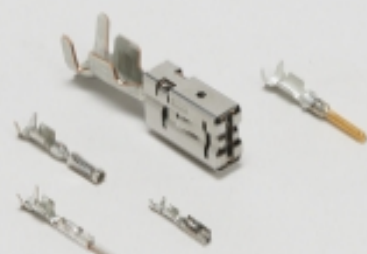
Also in the Series | Mark I




Automotive Headers(5)



Automotive Signal & Power Headers(5)



Automotive Terminals(1)

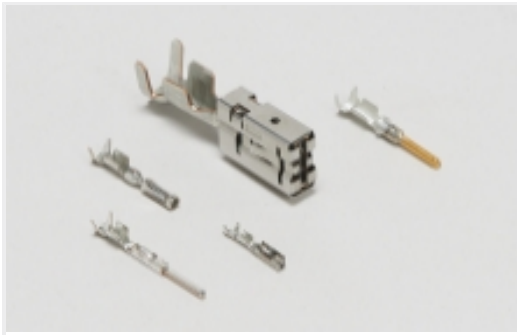


Crimp Terminal Housings(164)

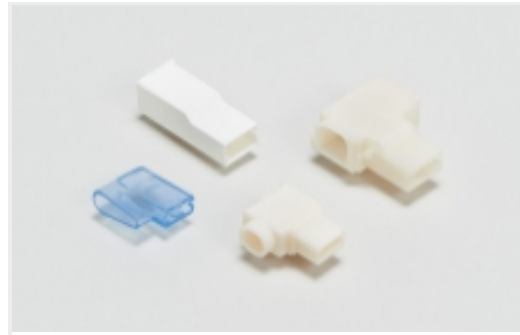


Quick Disconnects(168)

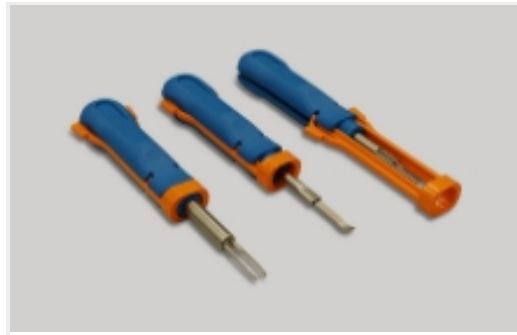
Also in the Series | Positive Lock 250



Automotive Terminals(1)



Crimp Terminal Housings(164)



Insertion & Extraction Tools(3)



Insulation Boots & Sleeves(5)



Quick Disconnects(168)

Customers Also Bought



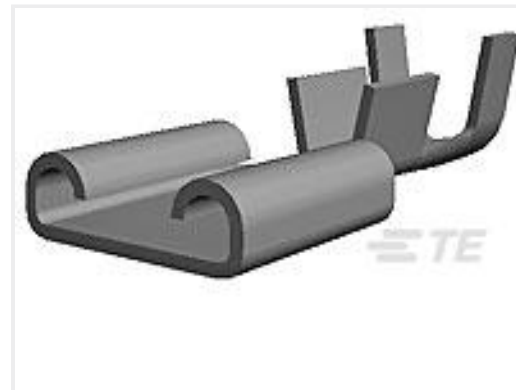
TE Part #NB15944001
RT-375-1/2-X-SP



TE Part #60851-3
250 FASTON REC 12-10 AWG TPBR



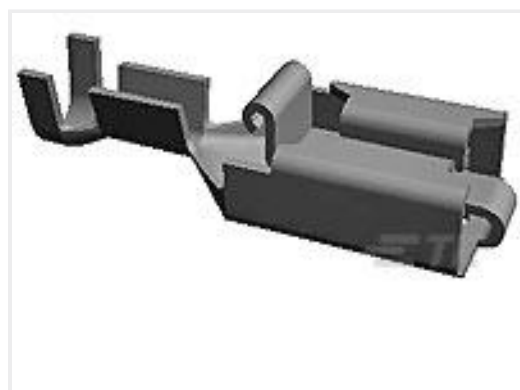
TE Part #1-154719-0
PL 250 REC HSG 1P NYLON NAT



TE Part #2-160256-2
250 FASTON,REC.,17-14 AWG,TPBR



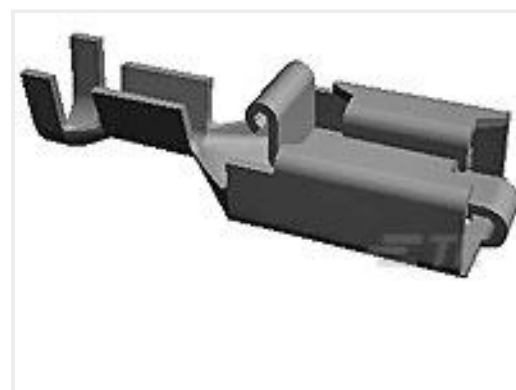
TE Part #5-160446-5
FF 250 REC 1.0-2.5MM2 TBBR



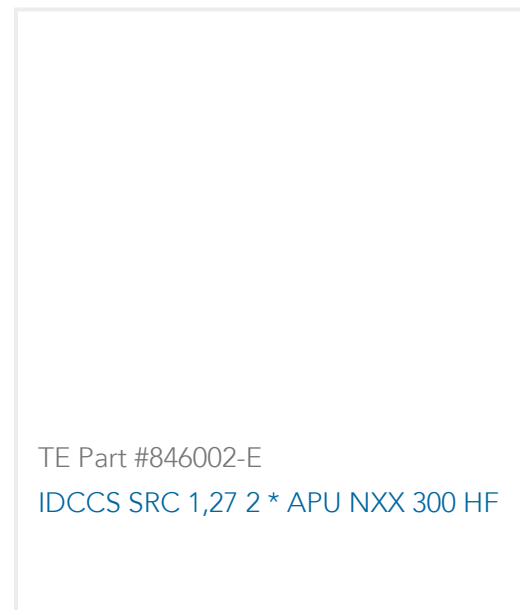
TE Part #1-160759-1
250 PL MKI REC. 20-15AWG PTBR



TE Part #1-480711-9
15P UMNL CAP HSG BLK



TE Part #928960-7
PL 250 REC TERMINAL 11-10 AWG PTPB



Documents

Product Drawings

[250 PL MKI REC. 17-13AWG TPBR](#)

English

CAD Files

[3D PDF](#)

3D

Customer View Model

[ENG_CVM_CVM_160831-3_N.2d_dxf.zip](#)

English

Customer View Model

[ENG_CVM_CVM_160831-3_N.3d_igs.zip](#)

English

Customer View Model

[ENG_CVM_CVM_160831-3_N.3d_stp.zip](#)

English

By downloading the CAD file I accept and agree to the [Terms and Conditions](#) of use.

Datasheets & Catalog Pages

[1654742_HOUSEHOLD_APPLIANCES_RAST5](#)

English

[Positive Lock Receptacles](#)

English

[110_Positive_Lock_Housings](#)

English

[POS_LOCK_MII_QRG](#)

English

[2P_Positive_Lock_HSGS](#)

English

Product Specifications

[EB**General Application Specification for Open Barrel Terminals](#)

English

[Application Specification](#)

English



Agency Approvals

UL

English