



FPC

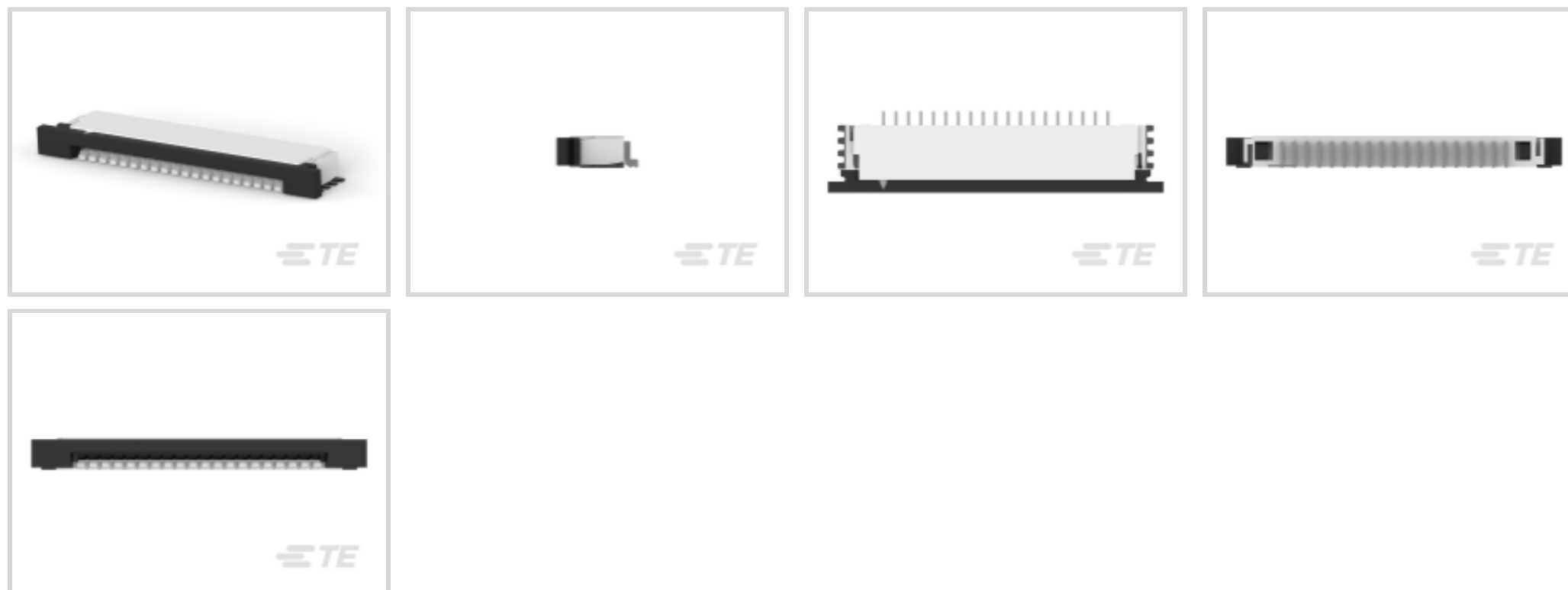
TE Internal #: 1-84952-9

1 mm [.039 in] Centerline, Zero Insertion Force (ZIF), Right Angle, Surface Mount, Stuffer Actuator, Tin (Sn), 19 Position, FPC

Connectors

[View on TE.com >](#)

Connectors > PCB Connectors > Wire-to-Board Connectors > FFC, FPC & Ribbon Connectors > FPC Connectors



Centerline (Pitch): 1 mm [.039 in]

Insertion Force Type: Zero Insertion Force (ZIF)

PCB Mount Orientation: Right Angle

Contact Mating Location: Bottom

Termination Method to PCB: Surface Mount

**Features**

**Product Type Features**

|                                   |   |
|-----------------------------------|---|
| Connector & Contact Terminates To | Flexible Printed Circuit (FPC), Printed Circuit Board |
| Connector Product Type            | Connector Assembly                                    |
| Connector System                  | Flex-to-Board   |
| PCB Connector Type                | PCB Mount Receptacle                                  |
| Insertion Force Type              | Zero Insertion Force (ZIF)                            |
| FPC Actuator Type                 | Stuffer   |

**Configuration Features**

|                                   |             |
|-----------------------------------|-------------|
| Compatible With Wire & Cable Type | FFC, FPC    |
| Number of Rows                    | 1           |
| PCB Mount Orientation             | Right Angle |
| Number of Positions               | 19          |

**Electrical Characteristics**

|                   |         |
|-------------------|---------|
| Operating Voltage | 200 VAC |
|-------------------|---------|



### Body Features

|                       |         |
|-----------------------|---------|
| Primary Product Color | Natural |
|-----------------------|---------|

### Contact Features

|   |                 |
|---|-----------------|
| PCB Contact Termination Area Plating Material Finish    | Bright          |
| Contact Mating Area Plating Material Thickness          | 2 µm[78.74 µin] |
| Contact Current Rating (Max)                            | 1 A             |
| PCB Contact Termination Area Plating Material Thickness | 2 µm[78.74 µin] |
| Contact Shape & Form                                    | Single Beam     |
| Contact Layout  | Inline          |
| Contact Base Material                                   | Phosphor Bronze |
| PCB Contact Termination Area Plating Material           | Tin             |
| Contact Type  | Socket          |
| Contact Mating Area Plating Material Finish             | Bright          |
| Contact Mating Location                                 | Bottom          |
| Contact Mating Area Plating Material                    | Tin (Sn)        |

### Termination Features

|                           |               |
|---------------------------|---------------|
| Termination Method to PCB | Surface Mount |
|---------------------------|---------------|

### Mechanical Attachment

|                         |             |
|-------------------------|-------------|
| Connector Mounting Type | Board Mount |
| PCB Mount Retention     | With        |
| Mating Alignment        | With        |
| PCB Mount Alignment     | Without     |

### Housing Features

|                    |                              |
|--------------------|------------------------------|
| Housing Material   | Liquid Crystal Polymer (LCP) |
| Centerline (Pitch) | 1 mm[.039 in]                |

### Dimensions

|                              |                   |
|------------------------------|-------------------|
| Accepts Flex Cable Thickness | .3 mm[.012 in]    |
| Connector Width              | 6.54 mm[.258 in]  |
| Connector Height             | 2.56 mm[.101 in]  |
| Connector Length             | 26.92 mm[1.06 in] |

### Usage Conditions

|                             |                           |
|-----------------------------|---------------------------|
| Operating Temperature Range | -40 – 85 °C[-40 – 185 °F] |
|-----------------------------|---------------------------|



### Operation/Application

|                     |        |
|---------------------|--------|
| Circuit Application | Signal |
|---------------------|--------|

### Identification Marking

|                                |      |
|--------------------------------|------|
| Circuit Identification Feature | With |
|--------------------------------|------|

### Packaging Features

|                    |             |
|--------------------|-------------|
| Packaging Quantity | 1200        |
| Packaging Method   | Tape & Reel |

### Product Compliance

[For compliance documentation, visit the product page on TE.com>](#)

|   |   |
|---|---|
| EU RoHS Directive 2011/65/EU                  | Compliant   |
| EU ELV Directive 2000/53/EC                   | Compliant   |
| China RoHS 2 Directive MIIT Order No 32, 2016 | 有害物质含量符合标准要求 No Restricted Substance(s) Above Threshold   |
| EU REACH Regulation (EC) No. 1907/2006        | Current ECHA Candidate List: JUNE 2025 (250)<br>Candidate List Declared Against: JUNE 2025 (250)<br>Does not contain REACH SVHC |
| Halogen Content                               | Not Low Halogen - contains Br or Cl > 900 ppm.  |
| Solder Process Capability                     | Reflow solder capable to 260°C  |

#### Product Compliance Disclaimer

This information is provided based on reasonable inquiry of our suppliers and represents our current actual knowledge based on the information they provided. This information is subject to change. The part numbers that TE has identified as EU RoHS compliant have a maximum concentration of 0.1% by weight in homogenous materials for lead, hexavalent chromium, mercury, PBB, PBDE, DBP, BBP, DEHP, DIBP, and 0.01% for cadmium, or qualify for an exemption to these limits as defined in the Annexes of Directive 2011/65/EU (RoHS2). Finished electrical and electronic equipment products will be CE marked as required by Directive 2011/65/EU. Components may not be CE marked. Additionally, the part numbers that TE has identified as EU ELV compliant have a maximum concentration of 0.1% by weight in homogenous materials for lead, hexavalent chromium, and mercury, and 0.01% for cadmium, or qualify for an exemption to these limits as defined in the Annexes of Directive 2000/53/EC (ELV). Regarding the REACH Regulation, the information TE provides on SVHC in articles for this part number is based on the latest European Chemicals Agency (ECHA) 'Guidance on requirements for substances in articles' posted at this URL: <https://echa.europa.eu/guidance-documents/guidance-on-reach>

### Compatible Parts



TE Part # 1-1734248-9  
1.0 FPC, ZIF V/T, SMT, 19P



TE Part # 1-84953-9  
1MM FPC HORZ.TOP CONT.ASSY 19P

## Customers Also Bought



TE Part #CAT-D48-ST273  
DEUTSCH Connector Solid Contacts



TE Part #DT04-2P  
REC, 2P, GRY, N



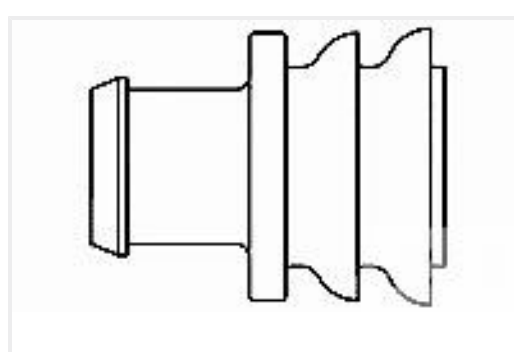
TE Part #CAT-D487-W416  
Wedgelocks: DEUTSCH DT



TE Part #DT06-2S  
PLG, 2P, GRY, N



TE Part #114017-ZZ  
SEALING PLUG, SIZE 12/16, WHT



TE Part #281934-2  
SINGLE WIRE SEAL



TE Part #CAT-AM71-CH8172  
AMP SUPERSEAL 1.5MM,  
CONNECTOR HOUSING

## Documents

### CAD Files

#### Customer View Model

[ENG\\_CVM\\_CVM\\_1-84952-9\\_A.2d\\_dxf.zip](#)

English

### 3D PDF

3D

#### Customer View Model

[ENG\\_CVM\\_CVM\\_1-84952-9\\_A.3d\\_igs.zip](#)

English

#### Customer View Model

[ENG\\_CVM\\_CVM\\_1-84952-9\\_A.3d\\_stp.zip](#)

English

By downloading the CAD file I accept and agree to the [Terms and Conditions](#) of use.

### Datasheets & Catalog Pages

[1-1773959-7-FPC-Connectors-CN](#)

English



## FPC Connector Family

English

---

## Product Specifications

### Product Specification

English

---

## Agency Approvals

### UL Report

English