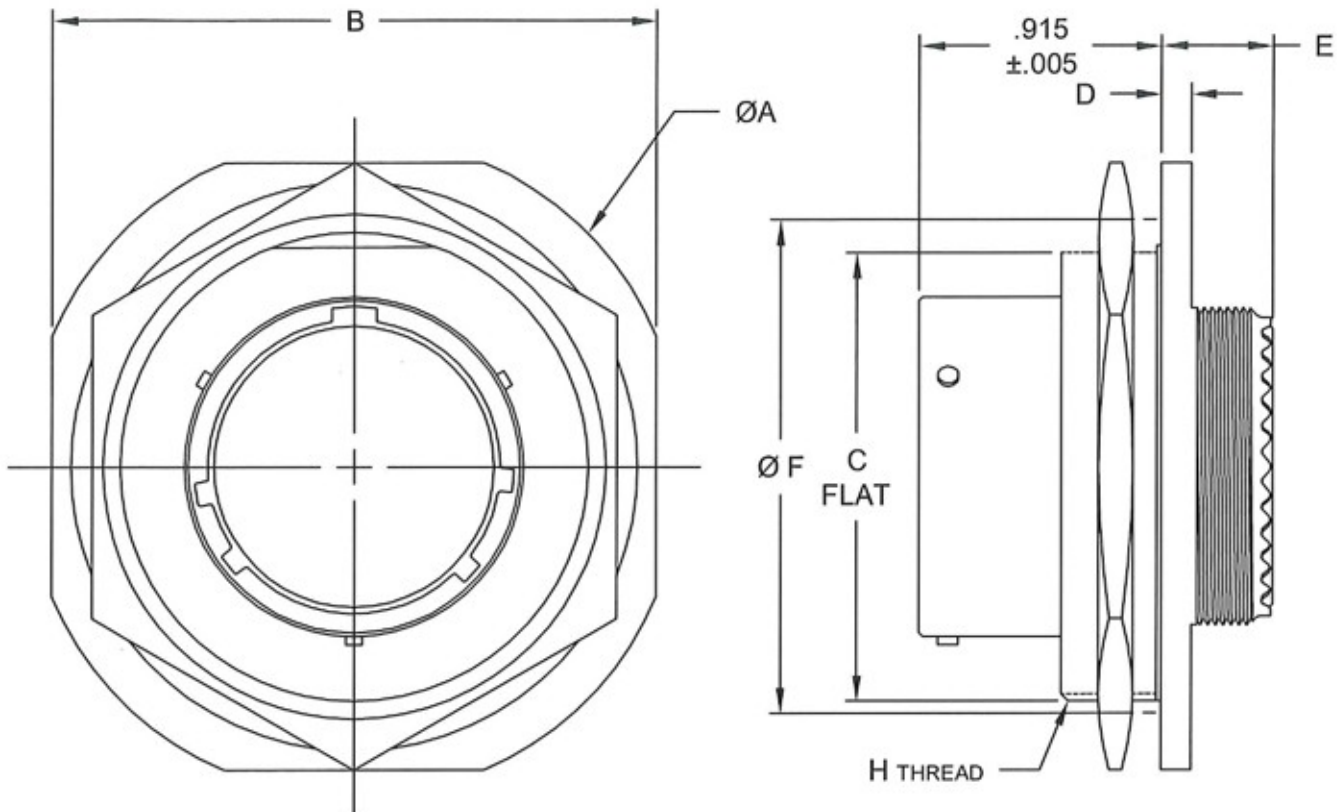


MS27468

MIL-DTL-38999 SERIES I



Shell Size	H Thread Class 2A Plated	A Dia. $\pm .016$	B $\pm .016$	C $+ .000$ $- .010$	D $+ .011$ $- .010$	E (Class E) Max.	E (Class P) Max.	E (Class T) Max.	F Dia. $+ .006$ $- .005$
9	.6875-24 UNEF	1.188	1.062	.655	.109	.328	.438	.328	.777
11	.8125-20 UNEF	1.375	1.250	.755	.109	.328	.438	.328	.965
13	1.0000-18 UNEF	1.500	1.375	.942	.109	.328	.438	.328	1.090
15	1.1250-18 UNEF	1.625	1.500	1.066	.109	.328	.438	.328	1.215
17	1.2500-18 UNEF	1.750	1.625	1.191	.109	.328	.438	.328	1.340
19	1.3750-18 UNEF	1.938	1.812	1.316	.140	.328	.469	.328	1.449
21	1.5000-18 UNEF	2.062	1.938	1.441	.140	.328	.469	.328	1.574
23	1.6250-18 UNEF	2.188	2.062	1.566	.140	.328	.469	.328	1.699
25	1.7500-18 UNS	2.312	2.188	1.691	.140	.328	.469	.328	1.824

TOLERANCE
XX $\pm .010$
.XXX $\pm .005$
ANGLES $\pm 1^\circ$

TITLE
CONNECTORS, ELECTRICAL, RECEPTACLE, JAM NUT,
MOUNTING, BAYONET COUPLING, CRIMP CONTACTS,
MIL-DTL-38999, SERIES I

SHEET
1 OF 1

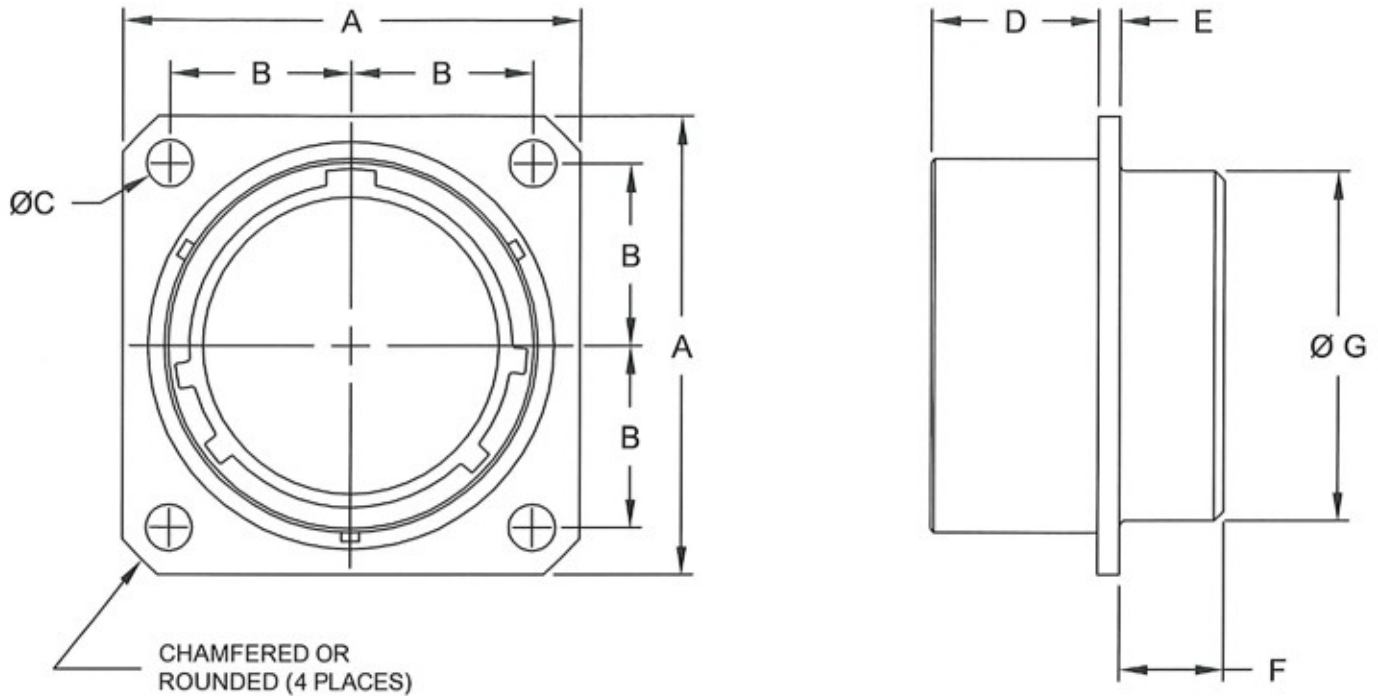
DWG. NO.
MS27468

REV
-

<http://www.corsairelectricalconnectors.com> (949) 833-0273

MS27496

MIL-DTL-38999 SERIES I



Shell Size	A ±.020	B	C Dia. +.010 -0.005	D +.000 -.005	E +.015 -.000	F Max.	G Dia. Max.
9	.938	.3595	.128	.632	.085	.312	.469
11	1.031	.406	.128	.632	.085	.312	.594
13	1.125	.453	.128	.632	.085	.312	.719
15	1.219	.4845	.128	.632	.085	.312	.844
17	1.312	.531	.128	.632	.085	.312	.969
19	1.438	.578	.128	.632	.085	.312	1.078
21	1.562	.625	.128	.602	.115	.312	1.203
23	1.688	.6875	.147	.602	.115	.312	1.328
25	1.812	.750	.147	.602	.115	.312	1.453

TOLERANCE
XX ± .010
.XXX ± .005
ANGLES ± 1°

TITLE
CONNECTORS, ELECTRICAL, RECEPTACLE, BOX MOUNT,
FLANGE, BAYONET COUPLING, CRIMP CONTACTS,
MIL-DTL-38999, SERIES I

SHEET
1 OF 1

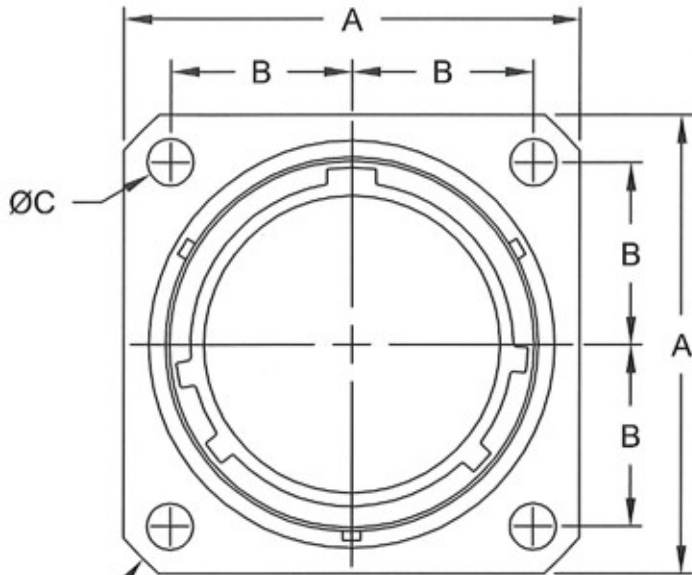
DWG. NO.
MS27496

REV
-

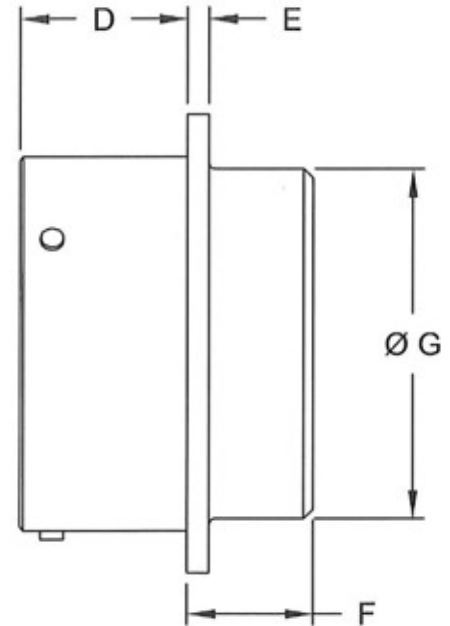
<http://www.corsairelectricalconnectors.com> (949) 833-0273

MS27505

MIL-DTL-38999 SERIES I



CHAMFERED OR
ROUNDED (4 PLACES)



Shell Size	A ±.020	B	C Dia. +.010 -0.005	D +.000 -.005	E +.015 -.000	F Max.	G Dia. Max.
9	.938	.3595	.128	.820	.085	.219	.547
11	1.031	.406	.128	.820	.085	.219	.656
13	1.125	.453	.128	.820	.085	.219	.828
15	1.219	.4845	.128	.820	.085	.219	.953
17	1.312	.531	.128	.820	.085	.219	1.078
19	1.438	.578	.128	.820	.085	.219	1.203
21	1.562	.625	.128	.790	.115	.250	1.328
23	1.688	.6875	.128	.790	.115	.250	1.453
25	1.812	.750	.147	.790	.115	.250	1.578

TOLERANCE
XX ± .010
.XXX ± .005
ANGLES ± 1°

TITLE
CONNECTORS, ELECTRICAL, RECEPTACLE, BACK PANEL,
BOX MOUNT, FLANGE, BAYONET COUPLING, CRIMP
CONTACTS, MIL-DTL-38999, SERIES I

SHEET
1 OF 1

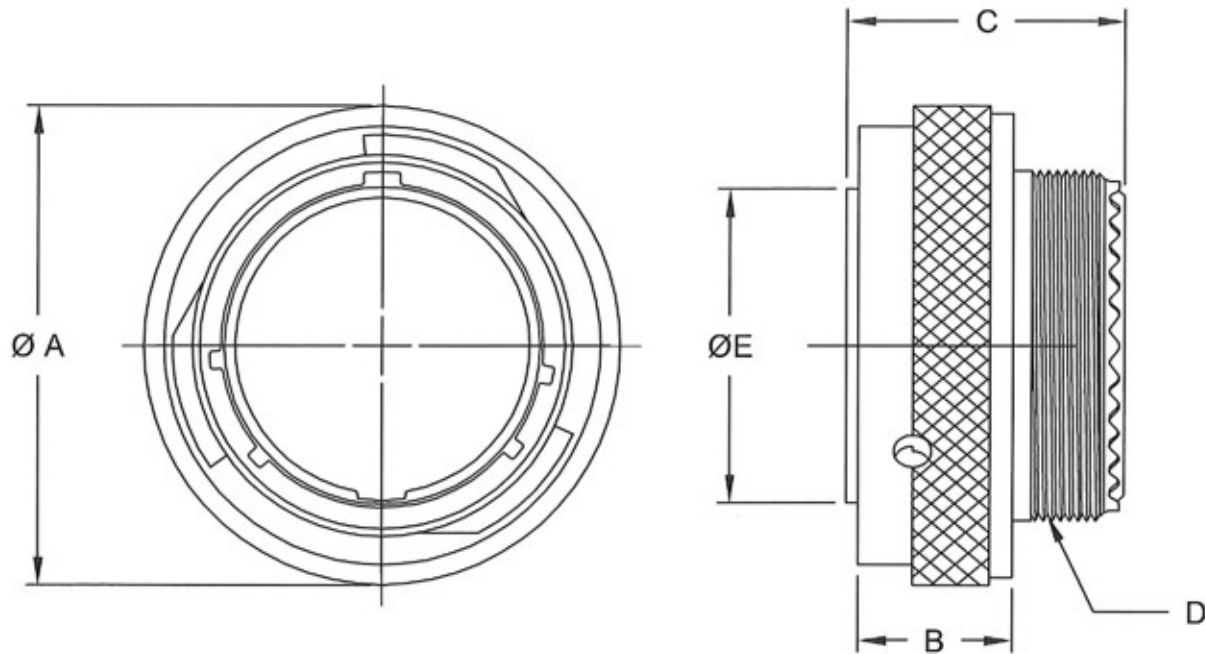
DWG. NO.
MS27505

REV
-

<http://www.corsairelectricalconnectors.com> (949) 833-0273

MS27473

MIL-DTL-38999 SERIES II



Shell Size	D thread Class 2A	A Dia. +.005 -.006	B $\pm .015$	C (Class E) Max.	C (Class P) Max.	C (Class T) Max.
8	.4375-28 UNEF	.750	.547	1.026	1.020	.766
10	.5625-24 UNEF	.859	.547	1.026	1.020	.766
12	.6875-24 UNEF	1.031	.547	1.026	1.020	.766
14	.8125-20 UNEF	1.156	.547	1.026	1.020	.766
16	.9375-20 UNEF	1.281	.547	1.026	1.020	.766
18	1.0625-18 UNEF	1.406	.547	1.026	1.020	.766
20	1.1875-18 UNEF	1.531	.524	1.026	1.020	.766
22	1.3125-18 UNEF	1.641	.524	1.026	1.020	.766
24	1.4375-18 UNEF	1.766	.575	1.104	1.080	.844

TOLERANCE
 XX $\pm .010$
 .XXX $\pm .005$
 ANGLES $\pm 1^\circ$

TITLE
 CONNECTORS, ELECTRICAL, PLUG, STRAIGHT, BAYONET
 COUPLING, CRIMP CONTACTS,
 SERIES II, MIL-DTL-38999

SHEET
 1 OF 1

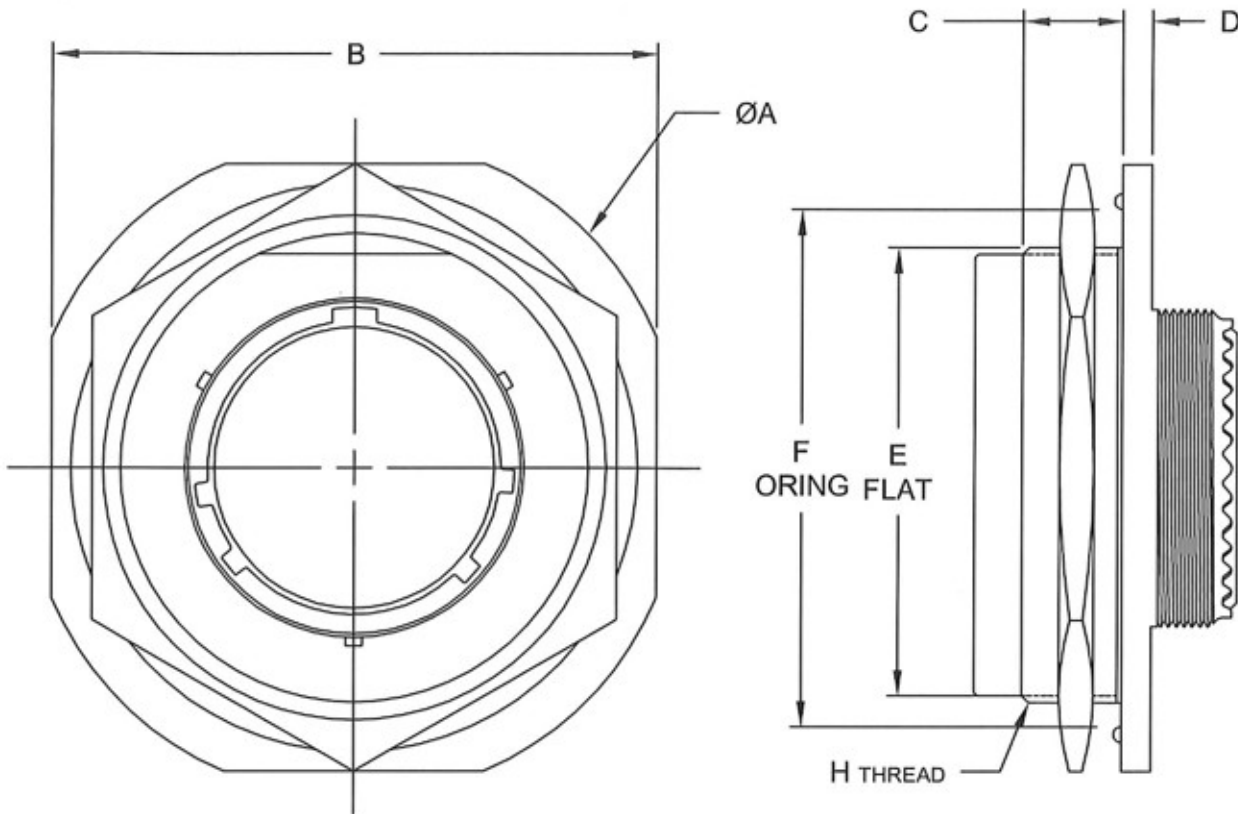
DWG. NO.
 MS27473

REV
 -

<http://www.corsairelectricalconnectors.com> (949) 833-0273

MS27474

MIL-DTL-38999 SERIES II



Shell Size	H Thread Class 2A Plated	A Dia. ±.016	B ±.016	C ±.005	D +.011 -.010	E +.001 -.006	F Dia. +.006 -.005
8	.875-20 UNEF	1.375	1.250	.438	.094	.817	.965
10	1.000-20 UNEF	1.500	1.375	.438	.094	.941	1.090
12	1.125-18 UNEF	1.625	1.500	.438	.094	1.065	1.215
14	1.250-18 UNEF	1.750	1.625	.438	.094	1.190	1.340
16	1.375-18 UNEF	1.938	1.781	.438	.094	1.320	1.477
18	1.500-18 UNEF	2.016	1.890	.438	.094	1.440	1.602
20	1.625-18 UNEF	2.141	2.016	.464	.094	1.565	1.727
22	1.750-18 UNS	2.265	2.140	.464	.094	1.690	1.852
24	1.875-18 UN	2.390	2.265	.464	.094	1.815	1.977

TOLERANCE
XX ± .010
.XXX ± .005
ANGLES ± 1°

TITLE
CONNECTORS, ELECTRICAL, RECEPTACLE, JAM NUT,
MOUNTING, BAYONET COUPLING, CRIMP CONTACTS,
MIL-DTL-38999, SERIES II

SHEET
1 OF 1

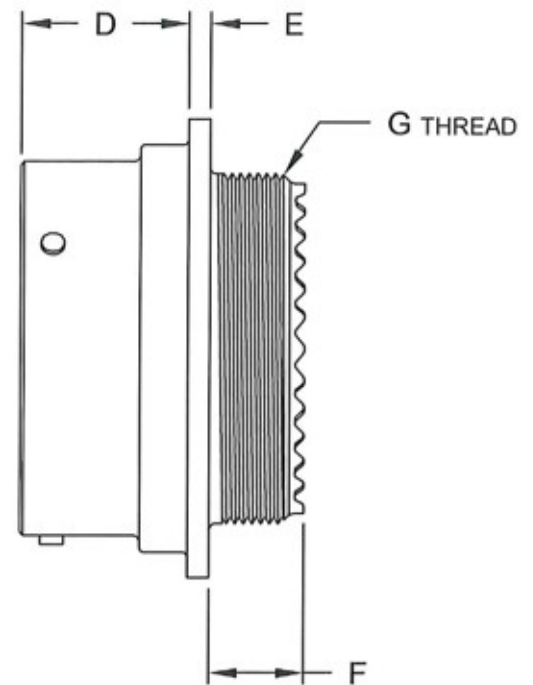
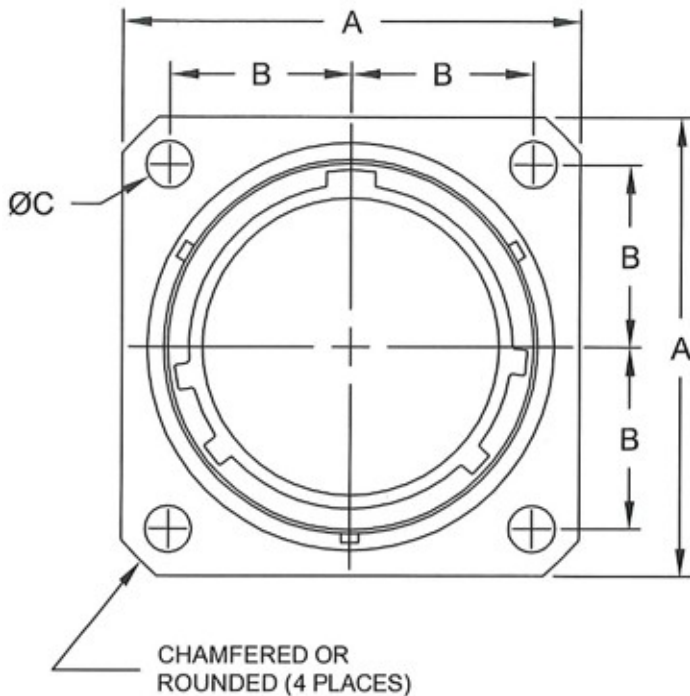
DWG. NO.
MS27474

REV
-

<http://www.corsairelectricalconnectors.com> (949) 833-0273

MS27479

MIL-DTL-38999 SERIES II



Shell Size	G Thread Class 2 A	A Max.	B	C Dia. +.010 -.005	D +.000 -.005	E +.011 -.000	F (Class E) Max.	F (Class P) Max.	F (Class T) Max.
8	.4375-28 UNEF	.828	.297	.120	.322	.058	.562	.641	.391
10	.5625-24 UNEF	.954	.3595	.120	.322	.058	.562	.641	.391
12	.6875-24 UNEF	1.047	.406	.120	.322	.058	.562	.641	.391
14	.8125-20 UNEF	1.141	.453	.120	.322	.058	.562	.641	.391
16	.9375-20 UNEF	1.234	.4845	.120	.322	.058	.562	.641	.391
18	1.0625-18 UNEF	1.328	.531	.120	.322	.058	.562	.641	.391
20	1.1875-18 UNEF	1.453	.578	.120	.322	.058	.562	.641	.391
22	1.3125-18 UNEF	1.578	.625	.120	.322	.058	.562	.641	.391
24	1.4375-18 UNEF	1.703	.6875	.147	.322	.058	.562	.703	.469

TOLERANCE
XX ± .010
.XXX ± .005
ANGLES ± 1°

TITLE
CONNECTORS, ELECTRICAL, RECEPTACLE, WALL MOUNT,
FLANGE, BAYONET COUPLING, CRIMP CONTACTS,
MIL-DTL-38999, SERIES II

SHEET
1 OF 1

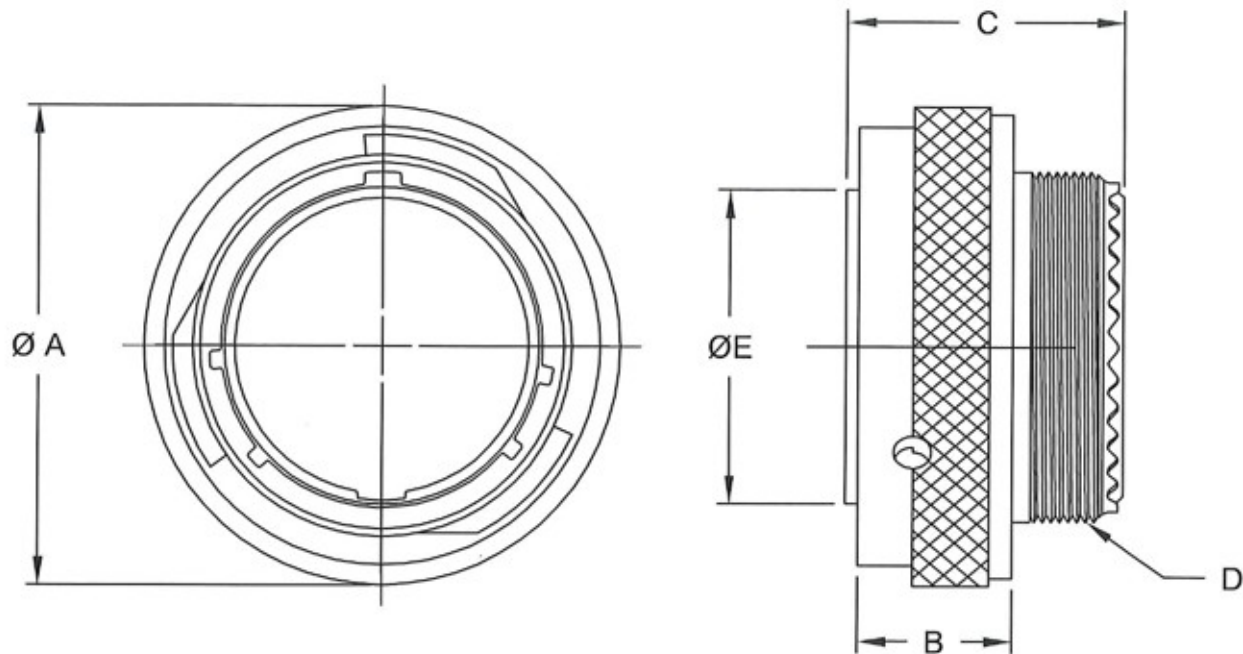
DWG. NO.
MS27479

REV
-

<http://www.corsairelectricalconnectors.com> (949) 833-0273

MS27484

MIL-DTL-38999 SERIES II



Shell Size	D thread Class 2A	A Dia. +.005 -.006	B ±.015	C (Class E) Max.	C (Class P) Max.	C (Class T) Max.	E Dia. +.007 -.004
8	.4375-28 UNEF	.750	.547	1.016	1.020	.766	.456
10	.5625-24 UNEF	.859	.547	1.016	1.020	.766	.573
12	.6875-24 UNEF	1.031	.547	1.016	1.020	.766	.733
14	.8125-20 UNEF	1.156	.547	1.016	1.020	.766	.858
16	.9375-20 UNEF	1.281	.547	1.016	1.020	.766	.983
18	1.0625-18 UNEF	1.406	.547	1.016	1.020	.766	1.108
20	1.1875-18 UNEF	1.531	.524	1.016	1.020	.766	1.228
22	1.3125-18 UNEF	1.641	.524	1.016	1.020	.766	1.353
24	1.4375-18 UNEF	1.766	.575	1.094	1.080	.844	1.478

TOLERANCE
XX ± .010
.XXX ± .005
ANGLES ± 1°

TITLE
CONNECTORS, ELECTRICAL, PLUG, RFI, BAYONET
COUPLING, CRIMP CONTACTS, SERIES II, MIL-DTL-38999

SHEET
1 OF 1

DWG. NO.
MS27484

REV
-

<http://www.corsairelectricalconnectors.com> (949) 833-0273