



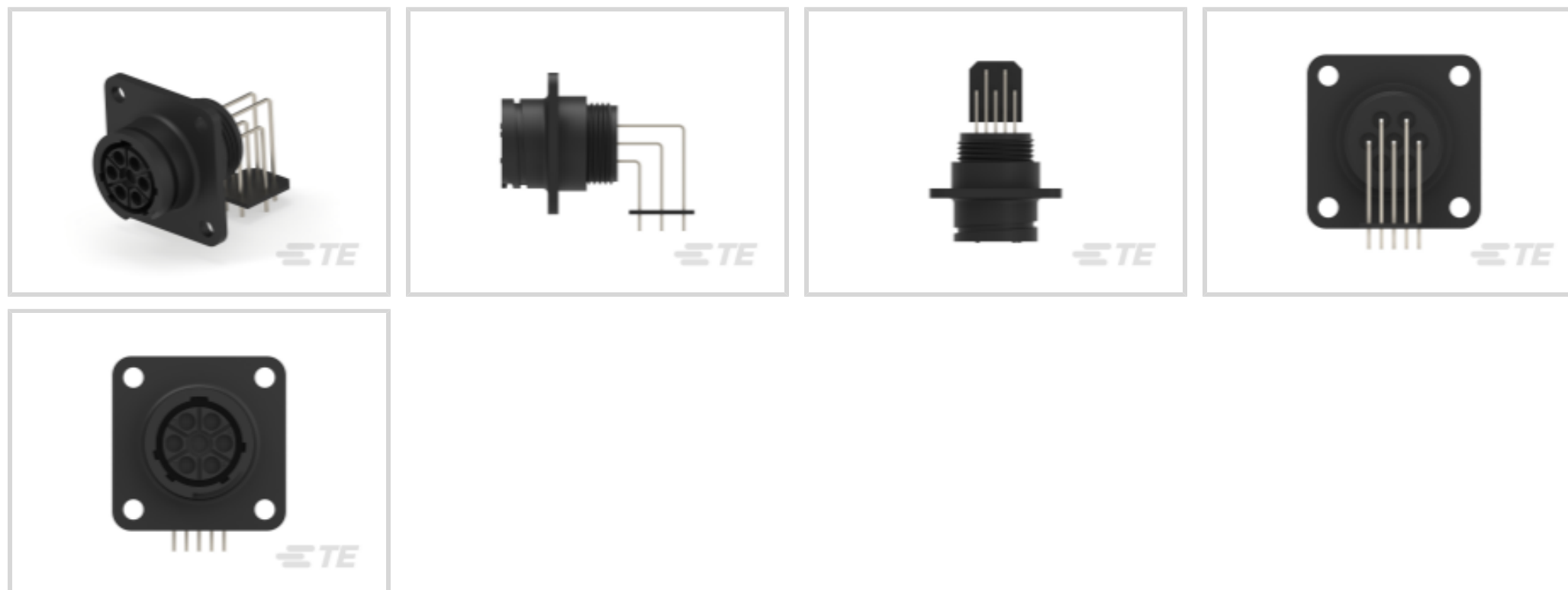
AMP | AMP Circular Plastic Connectors, Circular Plastic Connectors Series 1

TE Internal #: 796500-2

7 Position Circular Power Connector, Connector Assembly, 250 VDC, Wire-to-Board / Wire-to-Panel, AMP Circular Plastic Connectors

[View on TE.com >](#)

Connectors > Power Connectors > Circular Power > Circular Power Connectors



Connector Product Type: **Connector Assembly**

Operating Voltage: **250 VDC**

Connector System: **Wire-to-Board, Wire-to-Panel**

Number of Positions: **7**

Sealable: **No**

Features

Product Type Features

Connector Product Type	Connector Assembly
Connector System	Wire-to-Board, Wire-to-Panel
Sealable	No
Connector & Contact Terminates To	Printed Circuit Board
Connector & Housing Type	Receptacle
Circular Connector Shell Type	All Plastic

Configuration Features

Number of Positions	7
Number of Power Positions	0
Number of Signal Positions	7

Electrical Characteristics

Operating Voltage	250 VAC
-------------------	---------

Contact Features

Reverse Gender	Yes
----------------	-----



Contact Type	Socket
--------------	--------

Termination Features

Termination Method to PCB	Through Hole - Solder
---------------------------	-----------------------

Mechanical Attachment

Panel Mount Feature Type	Flange with Threaded Inserts
--------------------------	------------------------------

Mating Alignment Type	Keyed
-----------------------	-------

Mating Retention Type	Threaded Coupling
-----------------------	-------------------

Mating Alignment	With
------------------	------

Connector Mounting Type	Panel Mount
-------------------------	-------------

Mating Retention	With
------------------	------

Panel Mount Feature	With
---------------------	------

Housing Features

Housing Color	Black
---------------	-------

Housing Material	Thermoplastic
------------------	---------------

Circular Connector Shell Size	13
-------------------------------	----

Dimensions

Assembly Length	44.45 mm[1.75 in]
-----------------	-------------------

Usage Conditions

Operating Temperature Range	-55 – 105 °C[-67 – 221 °F]
-----------------------------	----------------------------

Fluid Resistance	None
------------------	------

Operation/Application

Circuit Application	Signal
---------------------	--------

Shielded	No
----------	----

Industry Standards

UL Flammability Rating	UL 94V-0
------------------------	----------

Packaging Features

Packaging Quantity	16
--------------------	----

Packaging Method	Tray
------------------	------

Product Compliance

[For compliance documentation, visit the product page on TE.com>](#)

EU RoHS Directive 2011/65/EU

Compliant with Exemptions

EU ELV Directive 2000/53/EC

Compliant with Exemptions

China RoHS 2 Directive MIIT Order No 32, 2016

有害物质含量超出标准 Restricted Substance(s) Above Threshold

EU REACH Regulation (EC) No. 1907/2006

Current ECHA Candidate List: JUNE 2025 (250)

Candidate List Declared Against: JUNE 2025 (250)

SVHC > Threshold:

Pb (3.7% in 74019106)

Article Safe Usage Statements:

Do not eat, drink or smoke when using this product. Wash thoroughly after handling. Recycle if possible and dispose of the article by following all applicable governmental regulations relevant to your geographic location.

Halogen Content

BFR/CFR/PVC Free, but Br/Cl >900 ppm in other sources.

Solder Process Capability

Wave solder capable to 265°C

Product Compliance Disclaimer

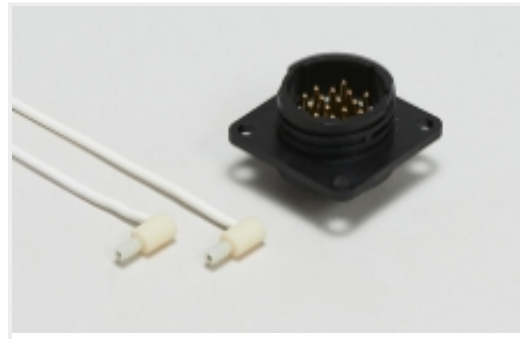
This information is provided based on reasonable inquiry of our suppliers and represents our current actual knowledge based on the information they provided. This information is subject to change. The part numbers that TE has identified as EU RoHS compliant have a maximum concentration of 0.1% by weight in homogenous materials for lead, hexavalent chromium, mercury, PBB, PBDE, DBP, BBP, DEHP, DIBP, and 0.01% for cadmium, or qualify for an exemption to these limits as defined in the Annexes of Directive 2011/65/EU (RoHS2). Finished electrical and electronic equipment products will be CE marked as required by Directive 2011/65/EU. Components may not be CE marked. Additionally, the part numbers that TE has identified as EU ELV compliant have a maximum concentration of 0.1% by weight in homogenous materials for lead, hexavalent chromium, and mercury, and 0.01% for cadmium, or qualify for an exemption to these limits as defined in the Annexes of Directive 2000/53/EC (ELV). Regarding the REACH Regulation, the information TE provides on SVHC in articles for this part number is based on the latest European Chemicals Agency (ECHA) 'Guidance on requirements for substances in articles' posted at this URL: <https://echa.europa.eu/guidance-documents/guidance-on-reach>

Compatible Parts

Also in the Series | [AMP Circular Plastic Connectors](#)



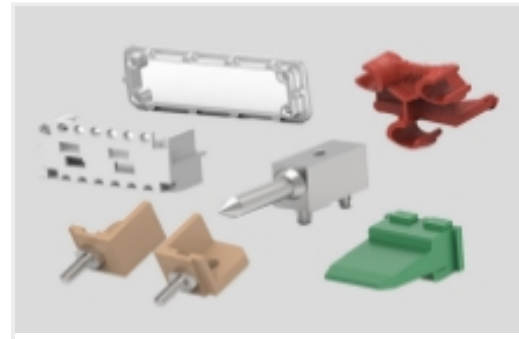
Circular Connector Backshells & Clamps(1)



Circular Power Connectors(211)



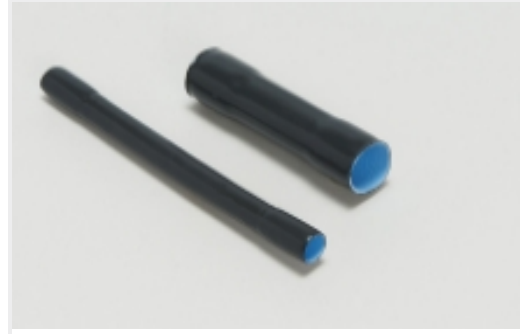
Connector Contacts(260)



Connector Hardware(10)

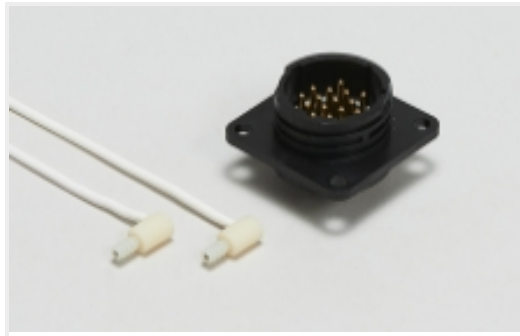


Power Contacts(260)



Sealing Sleeves(2)

Also in the Series | **Circular Plastic Connectors Series 1**



Circular Power Connectors(211)



Connector Contacts(260)

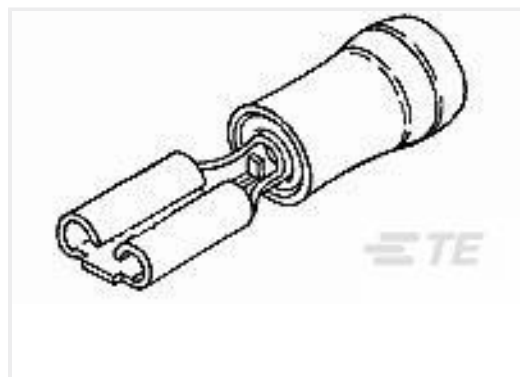


Power Contacts(260)

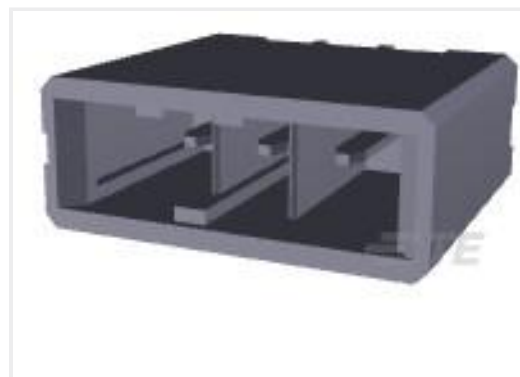
Customers Also Bought



TE Part #800907-SF
FN2010B-6-06



TE Part #60894-1
RECEPT,PIDG FASTON 22-18 110



TE Part #1-178136-2
DYNAMIC D3200 HDR V ASSY 3P
PdNi &Au



TE Part #3-640426-8
08P MTA156 CONN ASSY 18AWG
ORA



TE Part #3-640428-5
05P MTA156 CONN ASSY 22AWG RED



TE Part #4-640440-0
10P MTA100 CONN ASSY 22AWG RED



TE Part #640445-5
05P MTA156 HDR ASSY FL/STR SN



TE Part #1-640456-0
10P MTA100 HDR ASSY F/L SQ STR



Documents

Product Drawings

[CPC POSTED RCPT,13-7,R/A](#)

English

CAD Files

[3D PDF](#)

English

Customer View Model

[ENG_CVM_796500-2_C.2d_dxf.zip](#)

English

Customer View Model

[ENG_CVM_796500-2_C.3d_igs.zip](#)

English

Customer View Model

[ENG_CVM_796500-2_C.3d_stp.zip](#)

English

[3D PDF](#)

3D

Customer View Model

[ENG_CVM_CVM_796500-2_D.2d_dxf.zip](#)

English

Customer View Model

[ENG_CVM_CVM_796500-2_D.3d_igs.zip](#)

English

Customer View Model

[ENG_CVM_CVM_796500-2_D.3d_stp.zip](#)

English

By downloading the CAD file I accept and agree to the [Terms and Conditions](#) of use.

Datasheets & Catalog Pages

[Datasheet - CPC Protective Caps](#)

English

[Accessories for Circular plastic connectors](#)

English

[Circular Plastic Connectors Standard Cable Assemblies](#)



English

[circular-plastic-connectors-catalog](#)

English

Product Specifications

[Application Specification](#)

English

Instruction Sheets

[Instruction Sheet \(U.S.\)](#)

English

[Instruction Sheet \(U.S.\)](#)

English