

**Style**  
M12 Socket, shielded  
8 pin  
X-coding

**Ratings**  
Voltage: 50 Vac / 60 Vdc  
Current: 0.5 A (all contacts)  
1 A (single contact)

**Operating Temperature Range**  
-40~105°C

**Materials**

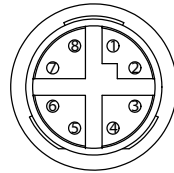
- ① Insulator: Polyamide 66 (PA66), UL94 HB, black
- ② Pin: phosphor copper, gold plated
- ③ Inner shielding: Zinc aluminum alloy, nickel plated
- ④ Shell: C3604 brass, nickel plated
- ⑤ Shield contact: C3604 brass, nickel plated
- ⑥ Pin alignment guide: Polyamide 66 (PA66), UL94 HB, black
- ⑦ O-ring: Silicone rubber

**Electrical Requirements**  
Dielectric strength: 1 min @ 500 Vac  
Insulation resistance: 100 MΩ @ 500 Vdc  
Contact resistance: 10 mΩ or less

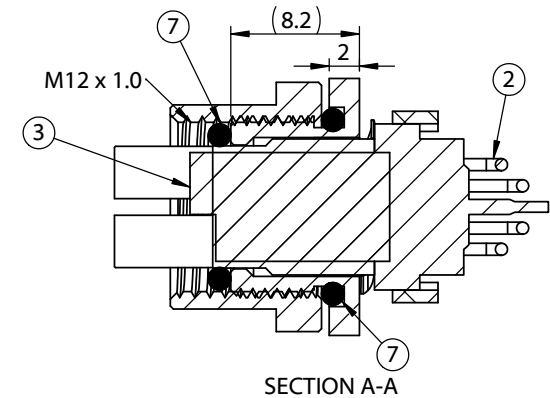
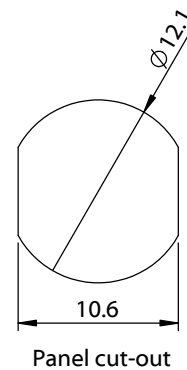
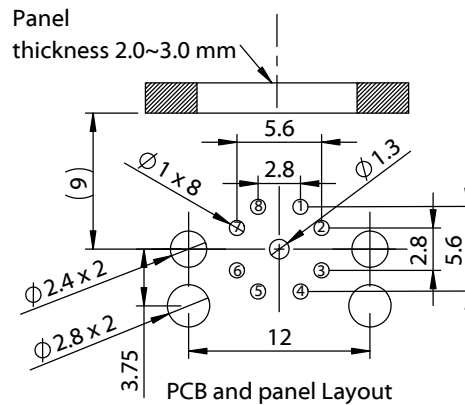
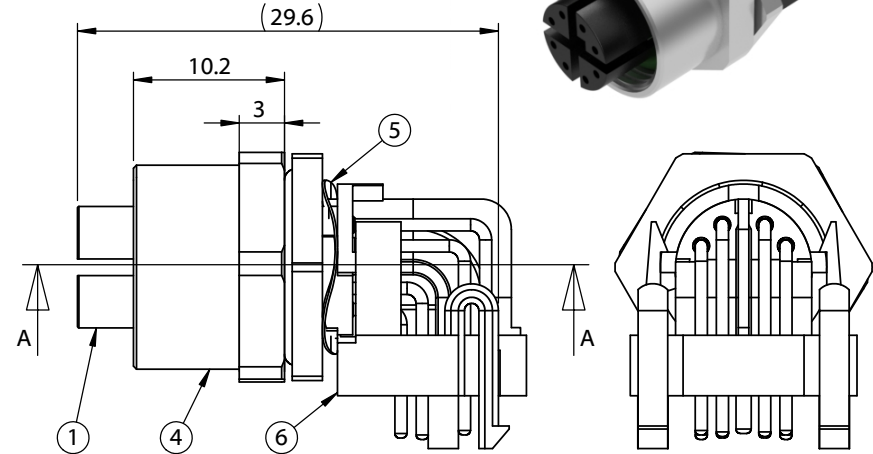
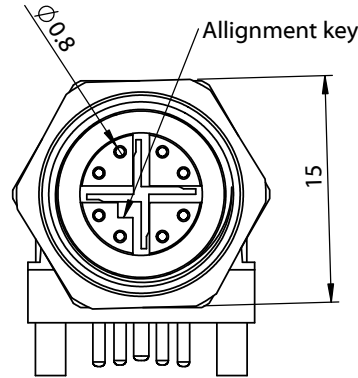
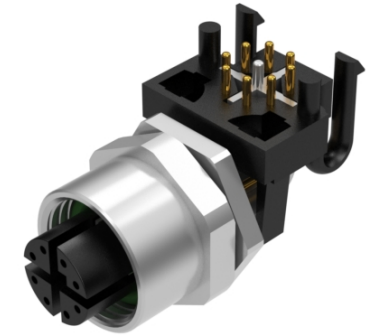
**Mechanical Requirements**  
Life cycle: 500 mating cycles minimum

**Environmental Requirements**  
Salt spray test: 35 °C, relative humidity 90-95%, 5% NaCl mist for 48 hrs. Wash parts after test. Maintain mechanical requirements and a contact resistance of less than 10 mΩ.  
Waterproof: IP67 (in mated state). IP67 panel ingress requires sealing cap.

**Transmission Characteristics:**  
CAT6a



Front View  
Not to Scale



Revision:	Date:	Description:
A	5/9/2023	Initial release

Prepared:

---

Verified:

---

Dimensions are in millimeters.  
Tolerances:  
X: ± 0.3 mm  
X.X: ± 0.1 mm  
X.XX: ± 0.05 mm

Notes:

RoHS compliant

Function test: no open, no short circuit, no intermittent

---

Description:  
Connector, M12 X-code socket, 8 pin, 8xL29.6 mm, panel mount, thru hole, 90°, gold plated, IP67

# TENSILITY

tel 1.541.323.3228 800 877.670.7118  
fax 1.541.323.4202 web tensility.com

Size: Part number:  
A 54-00393

Scale: 2:1



Sheet 1 of 1