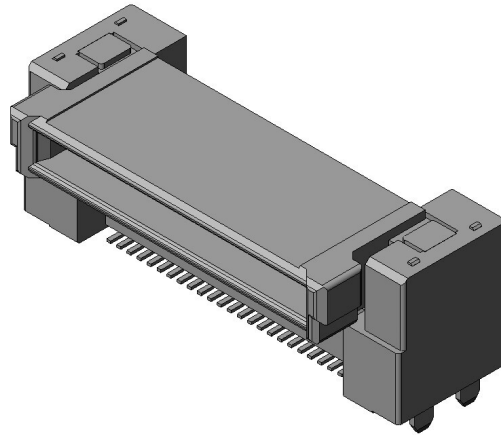


AX03F050HAX1R550

Product Details



Features

Floating board-to-board connector, for horizontal connection, 50 pos., 0.635 mm pitch, Floating side

Part Number	AX03F050HAX1R550
Status	Active
Number of Positions	50 pos.
Contact Pitch	0.635 mm pitch
Rated Current	0.5 A
Rated Voltage	AC 50 Vr.m.s.
Applications	FA equipment, semiconductor manufacturing equipment, office machines, communication equipment, measuring equipment, broadcasting equipment, amusement equipment, and other various applications
Connector Type	Floating side
Connector Style	Right angle
PCB Mounting Method	Soldering (SMT)
Material of Contact	Copper alloy
Finish of Contact in Connecting Area	Gold plating over Nickel
Minimum Thickness of The Plating Contact Area	0.1 micrometer min.

Finish of Contact in PCB Mounting Area	Gold-flash plating over Nickel
Material of Insulator	LCP
Material/ Finish of Hold-down	Copper alloy/ Tin plating over Nickel
PCB Mounted Height	8.3 mm
Body Length	23.8 mm
Body Breadth	9.9 mm
Operating Temperature Range	-40 deg. C to +105 deg. C
Mating Cycles	100 mating cycles
Packaging Type	Embossed tape packaging
Quantity in The Standard Packaging	550 pieces/ reel
RoHS compliant	10 substances (2011/65/EU, (EU)2015/863)
REACH compliant	250 substances (25/06/2025)
Mating Connector	AX03R050HAY1R500
Remarks	

Related information

Product Videos



Notice

- The values specified in this web site are only for reference. The products and their specifications are subject to change without notice. Contact our sales staff for further information before considering or ordering any of our products.
For purchase, a product specification must be agreed upon.

2. Users are requested to provide protection circuits and redundancy circuits to ensure safety of the equipment, and sufficiently review the suitability of JAE's products to the equipment.
3. The products presented in this web site are designed for the uses recommended below. We strongly suggest you contact our sales staff when considering use of any of the products in any other way than the recommended applications or for a specific use that requires an extremely high reliability.

(1) Applications that require consultation:

*Please contact us if you are considering use involving a quality assurance program that you specify or that is peculiar to the industry, such as:

Automotive electrical components, train control, telecommunications devices (mainline), traffic light control, electric power, combustion control, fire prevention or security systems, disaster evention equipment, etc.

*We may separately give you our support with a quality assurance program that you specify, when you think of a use such as :

Aviation or space equipment, submarine repeaters, nuclear power control systems, medical equipment for life support, etc.

(2) Recommended applications include:

*Computers, office appliances, telecommunications devices (terminals, mobile units), measuring equipment, audiovisual equipment, home electric appliances, factory automation equipment, etc