

3-644468-5 ✓ ACTIVE



MTA 156

TE Internal #: 3-644468-5

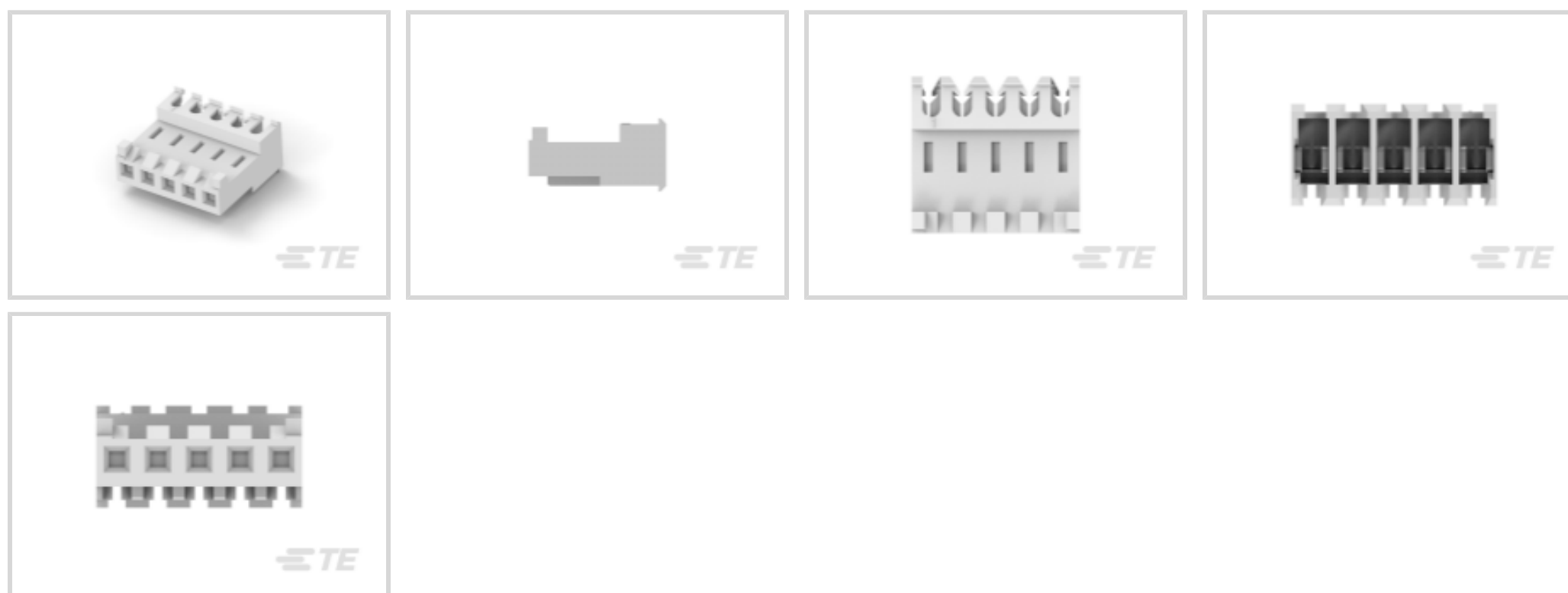
5 Position, Receptacle, Connector Assembly, Insulation

Displacement (IDC), Wire-to-Board, Tin (Sn), UL 94V-2, 3.96 mm [

156 in] Centerline, MTA 156

[View on TE.com >](#)

Connectors > Rectangular Connectors > Standard Rectangular Connectors



Connector Product Type: **Connector Assembly**

Mating Alignment: **With**

Mating Alignment Type: **Polarization**

Connector & Housing Type: **Receptacle**

Mating Retention Type: **Locking Ramp**

Features

Product Type Features

Compatible With Discrete Wire Type	Stranded
Connector Product Type	Connector Assembly
Connector & Housing Type	Receptacle
Connector System	Wire-to-Board
Sealable	No
Connector & Contact Terminates To	Wire & Cable

Configuration Features

Number of Cavities	5
Contacts Preloaded	Yes
Number of Positions	5
Number of Rows	1

Electrical Characteristics

Operating Voltage	600 VAC
-------------------	---------

Body Features



Primary Product Color	White
-----------------------	-------

Contact Features

Contact Underplating Material	Nickel
Contact Mating Area Plating Material	Tin (Sn)
Contact Retention Within Housing	With
Contact Current Rating (Max)	7 A
Contact Type	Receptacle
Wire Contact Termination Area Plating Material	Tin

Termination Features

Termination Method to Wire & Cable	Insulation Displacement (IDC)
------------------------------------	-------------------------------

Mechanical Attachment

Contact Retention Type Within Housing	Locking Lance
Mating Alignment	With
Mating Alignment Type	Polarization
Mating Retention Type	Locking Ramp
Mating Retention	With
Connector Mounting Type	Cable Mount (Free-Hanging)

Housing Features

Centerline (Pitch)	3.96 mm [.156 in]
Housing Material	Nylon

Dimensions

Connector Width	9.78 mm [.385 in]
Connector Height	18.42 mm [.725 in]
Connector Length	19.81 mm [.78 in]
Wire Size	.2 mm ²

Usage Conditions

Operating Temperature Range	-55 – 105 °C [-67 – 221 °F]
-----------------------------	-----------------------------

Operation/Application

Shielded	No
Circuit Application	Power

Industry Standards



Compatible With Agency/Standards Products	CSA, UL
UL Rating	Recognized
Compatible With Approved Standards Products	UL E28476
CSA Rating	LR 7189
UL Flammability Rating	UL 94V-2

Packaging Features

Packaging Quantity	250
Packaging Method	Bag/Box

Product Compliance

[For compliance documentation, visit the product page on TE.com>](#)

EU RoHS Directive 2011/65/EU	Compliant
EU ELV Directive 2000/53/EC	Compliant
China RoHS 2 Directive MIIT Order No 32, 2016	有害物质含量符合标准要求 No Restricted Substance(s) Above Threshold
EU REACH Regulation (EC) No. 1907/2006	Current ECHA Candidate List: JUNE 2025 (250) Candidate List Declared Against: JUNE 2025 (250) Does not contain REACH SVHC
Halogen Content	Low Halogen - Br, Cl, F < 900 ppm per homogenous material. Also BFR/CFR/PVC Free
Solder Process Capability	Not applicable for solder process capability

Product Compliance Disclaimer

This information is provided based on reasonable inquiry of our suppliers and represents our current actual knowledge based on the information they provided. This information is subject to change. The part numbers that TE has identified as EU RoHS compliant have a maximum concentration of 0.1% by weight in homogenous materials for lead, hexavalent chromium, mercury, PBB, PBDE, DBP, BBP, DEHP, DIBP, and 0.01% for cadmium, or qualify for an exemption to these limits as defined in the Annexes of Directive 2011/65/EU (RoHS2). Finished electrical and electronic equipment products will be CE marked as required by Directive 2011/65/EU. Components may not be CE marked. Additionally, the part numbers that TE has identified as EU ELV compliant have a maximum concentration of 0.1% by weight in homogenous materials for lead, hexavalent chromium, and mercury, and 0.01% for cadmium, or qualify for an exemption to these limits as defined in the Annexes of Directive 2000/53/EC (ELV). Regarding the REACH Regulation, the information TE provides on SVHC in articles for this part number is based on the latest European Chemicals Agency (ECHA) 'Guidance on requirements for substances in articles' posted at this URL: <https://echa.europa.eu/guidance-documents/guidance-on-reach>

Compatible Parts




TE Part # 3-644615-5
05P MTA156 POL HDR ASSY LF



TE Part # 640445-5
05P MTA156 HDR ASSY FL/STR SN



TE Part # 3-644613-5
05P MTA156 HDR RA PO WO PEG LF



TE Part # 643495-1
05P MTA156 HDR ASSY W/O#4



TE Part # 640383-5
05P MTA156 HDR ASSY STR SQ SN



TE Part # 643495-3
05P MTA156 HDR ASSY W/O#2



TE Part # 640384-5
05P MTA156 HDR ASSY STR RND SN



TE Part # 640385-5
05P MTA156 HDR ASSY SQ R/A



TE Part # 640389-5
05P MTA156 HDR ASSY SQ R/A F/L



TE Part # 643067-5
05P MTA156 MOLDED COVER



TE Part # 644749-5
05P MTA156 HDR ASSY STR SQ SN



TE Part # 640388-5
05P MTA156 HDR ASSY RN STR F/L



TE Part # 644752-5
05P MTA156 HDR ASSY SQ STR F/L



TE Part # 58443-1
MTA 156 CRIMP HEAD PRODUCTION FEED THRU



TE Part # 643071-5
05P MTA156 FD-THRU COVER



TE Part # 3-644617-5
05P MTA156 HDR ASSY PO RA FB LF



TE Part # 644751-5
05P MTA156 HDR ASSY R/A



TE Part # 59804-1
MAINTENANCE TOOL



TE Part # 640643-5
05P MTA156 COVER F/T

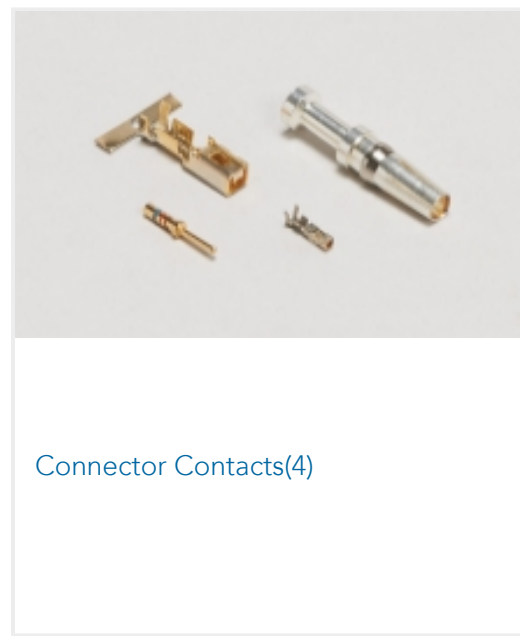


TE Part # 643495-4
05P MTA156 HDR ASSY W/O#3

Also in the Series | **MTA 156**



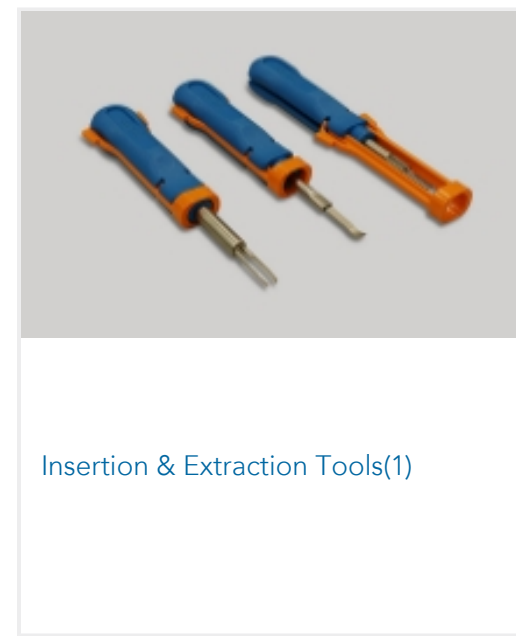
Connector Caps & Covers(89)



Connector Contacts(4)



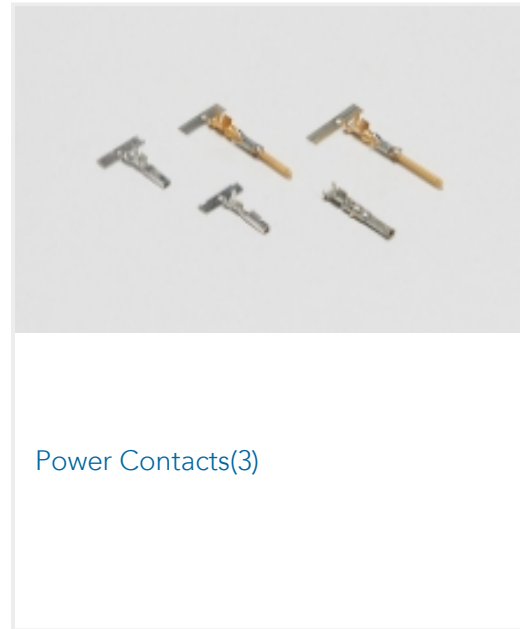
Connector Hardware(2)



Insertion & Extraction Tools(1)



PCB Headers & Receptacles(677)



Power Contacts(3)



Rectangular Power Connectors(1178)



Wire-to-Board Headers & Receptacles (677)

Customers Also Bought



TE Part #1SNL308010R0000
DBL80



TE Part #61365-1
250 FASTON TAB TPBR



TE Part #104257-1
02 MTE RCPT HSG SR LATCH .100



TE Part #188744-1
CONTACT REC HE14 COSI TIN PLATED



TE Part #281739-3
HEADER HE14 STRAIGHT 2X3 P



TE Part #281839-3
HOUSING HE13 HE14 COSI 2X3 P



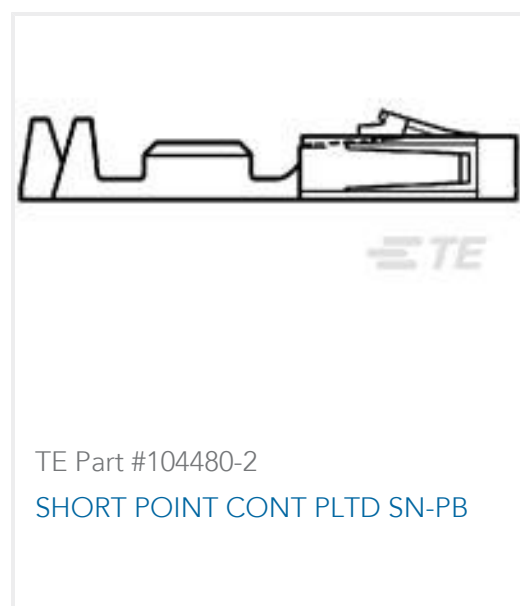
TE Part #1-480704-0
06P UMNL PLUG HSG NATL



TE Part #3-644563-5
05P MTA100 CONN ASSY F/T 24AWG



TE Part #928205-2
2P TELFIX BU-GEH



TE Part #104480-2
SHORT POINT CONT PLTD SN-PB

Documents



Product Drawings

[05P MTA156 CONN ASSY 24AWG LF](#)

English

CAD Files

Customer View Model

[ENG_CVM_3-644468-5_D.3d_igs.zip](#)

English

Customer View Model

[ENG_CVM_3-644468-5_D.3d_stp.zip](#)

English

Customer View Model

[ENG_CVM_3-644468-5_D.2d_dxf.zip](#)

English

[3D PDF](#)

English

[3D PDF](#)

3D

Customer View Model

[ENG_CVM_CVM_3-644468-5_C.2d_dxf.zip](#)

English

Customer View Model

[ENG_CVM_CVM_3-644468-5_C.3d_igs.zip](#)

English

Customer View Model

[ENG_CVM_CVM_3-644468-5_C.3d_stp.zip](#)

English

By downloading the CAD file I accept and agree to the [Terms and Conditions](#) of use.

Datasheets & Catalog Pages

[ENG_DS_82056_MTA_0818.pdf](#)

English

Product Specifications

[Application Specification](#)

English

[Application Specification](#)

Japanese

[Application Specification](#)

English

[MTA 156 Ribbon Cable Connector Assemblies \(English And Spanish\)](#)

English

[MTA 156 Ribbon Cable Connector Assemblies \(English And Spanish\)](#)

Japanese

3-644468-5

5 Position, Receptacle, Connector Assembly, Insulation Displacement (IDC), Wire-to-Board, Tin (Sn), UL 94V-2, 3.96 mm [.156 in] Centerline, MTA 156



Agency Approvals

Agency Approval Document

English