



**MICTOR**

TE Internal #: 1658014-2

PCB Mount Header, Vertical, Board-to-Board, 80 Position, .8 mm [.031 in] Centerline, Gold (Au), Surface Mount, Power & Signal, Black, Box / Tray

[View on TE.com >](#)

Connectors > PCB Connectors > PCB Headers & Receptacles



PCB Connector Type: **PCB Mount Header**

Connector System: **Board-to-Board**

Number of Positions: **80**

Centerline (Pitch): **.8 mm [.031 in]**

PCB Mount Orientation: **Vertical**

**Features**

**Product Type Features**

PCB Connector Type	PCB Mount Header
Connector System	Board-to-Board
Sealable	No
Connector & Contact Terminates To	Printed Circuit Board
Connector Product Type	Connector Assembly

**Configuration Features**

Connector Contact Load Condition	Fully Loaded
Stackable	No
Number of Positions	80
PCB Mount Orientation	Vertical
Board-to-Board Configuration	Parallel

**Electrical Characteristics**

Impedance	100 Ω
Insulation Resistance	2 MΩ



Dielectric Withstanding Voltage (Max)	675 VAC
---------------------------------------	---------

Operating Voltage	125 VAC
-------------------	---------

### Body Features

Primary Product Color	Black
-----------------------	-------

### Contact Features

Mating Tab Width	.38 mm[.015 in]
------------------	-----------------

PCB Contact Termination Area Plating Material Thickness	.25 $\mu$ m[9.842 $\mu$ in]
---	-----------------------------

Contact Shape & Form	Single Beam, Square
----------------------	---------------------

Contact Base Material	Phosphor Bronze
-----------------------	-----------------

Mating Tab Thickness	.2 mm[.008 in]
----------------------	----------------

Contact Mating Area Plating Material	Gold (Au)
--------------------------------------	-----------

Contact Type	Pin
--------------	-----

Contact Current Rating (Max)	1.25 A, 9.5 A
------------------------------	---------------

	9.84 $\mu$ in
--	---------------

PCB Contact Termination Area Plating Material	Gold
---	------

### Termination Features

Rectangular Termination Post & Tail Width	.94 mm[.037 in]
---	-----------------

Rectangular Termination Post & Tail Thickness	.2 mm[.008 in]
---	----------------

Termination Method to PCB	Surface Mount
---------------------------	---------------

### Mechanical Attachment

Mating Retention	With
------------------	------

PCB Mount Alignment Type	Locating Posts
--------------------------	----------------

Connector Mounting Type	Board Mount
-------------------------	-------------

Mating Alignment	Without
------------------	---------

PCB Mount Alignment	With
---------------------	------

PCB Mount Retention	With
---------------------	------

### Housing Features

Centerline (Pitch)	.8 mm[.031 in]
--------------------	----------------

Housing Material	Liquid Crystal Polymer (LCP)
------------------	------------------------------

### Dimensions

Connector Height	7.06 mm[.278 in]
------------------	------------------

	.186 in
--	---------



Stack Height	8 mm[.315 in]
--------------	---------------

### Usage Conditions

Operating Temperature Range	-65 – 125 °C[-85 – 257 °F]
-----------------------------	----------------------------

### Operation/Application

Circuit Application	Power & Signal
---------------------	----------------

### Industry Standards

UL Flammability Rating	UL 94V-0
------------------------	----------

### Packaging Features

Packaging Quantity	64
Packaging Method	Box, Tray

## Product Compliance

[For compliance documentation, visit the product page on TE.com>](#)

EU RoHS Directive 2011/65/EU	Compliant
EU ELV Directive 2000/53/EC	Compliant
China RoHS 2 Directive MIIT Order No 32, 2016	有害物质含量符合标准要求 No Restricted Substance(s) Above Threshold
EU REACH Regulation (EC) No. 1907/2006	Current ECHA Candidate List: JUNE 2025 (250) Candidate List Declared Against: JUNE 2025 (250) Does not contain REACH SVHC
Halogen Content	Low Halogen - Br, Cl, F < 900 ppm per homogenous material. Also BFR/CFR/PVC Free
Solder Process Capability	Reflow solder capable to 260°C

#### Product Compliance Disclaimer

This information is provided based on reasonable inquiry of our suppliers and represents our current actual knowledge based on the information they provided. This information is subject to change. The part numbers that TE has identified as EU RoHS compliant have a maximum concentration of 0.1% by weight in homogenous materials for lead, hexavalent chromium, mercury, PBB, PBDE, DBP, BBP, DEHP, DIBP, and 0.01% for cadmium, or qualify for an exemption to these limits as defined in the Annexes of Directive 2011/65/EU (RoHS2). Finished electrical and electronic equipment products will be CE marked as required by Directive 2011/65/EU. Components may not be CE marked. Additionally, the part numbers that TE has identified as EU ELV compliant have a maximum concentration of 0.1% by weight in homogenous materials for lead, hexavalent chromium, and mercury, and 0.01% for cadmium, or qualify for an exemption to these limits as defined in the Annexes of Directive 2000/53/EC (ELV). Regarding the REACH Regulation, the information TE provides on SVHC in articles for this part number is based on the latest European Chemicals Agency (ECHA) 'Guidance on requirements for substances in articles' posted at this URL: <https://echa.europa.eu/guidance-documents/guidance-on-reach>



## Compatible Parts



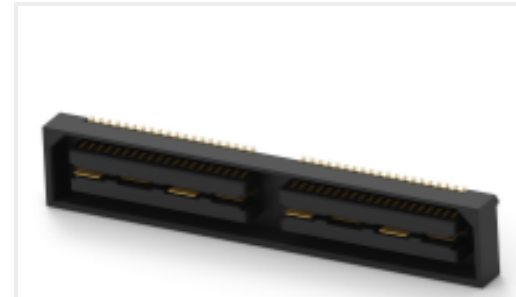
TE Part # 4-1658462-2  
MSB0.80RC-ASY080FL,GP,30,-TR



TE Part # 6-1658462-2  
MSB0.80RC-ASY080FL,GP,30,-TR



TE Part # 2-1658043-2  
MSB0.80RC-ASY080FL,-,F,-TY



TE Part # 6-1658043-2  
MSB0.80RC-ASY080FL,GP,F,-TR



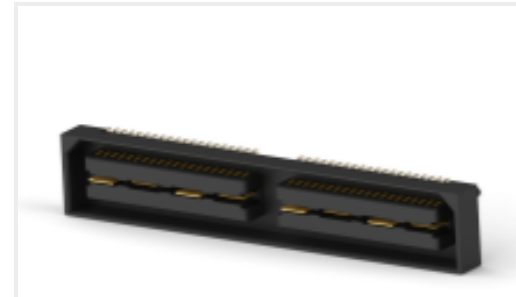
TE Part # 4-1658043-2  
MSB0.80RC-ASY080FL,GP,F,-TR



TE Part # 4-1658012-2  
MSB0.80RC-ASY080FL,GP,10,-TR



TE Part # 1658012-2  
MSB0.80RC-ASY080FL,-,10,-TY



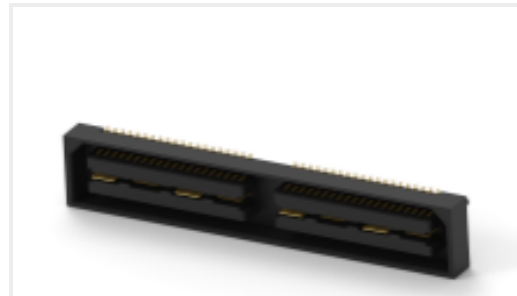
TE Part # 1658462-2  
MSB0.80RC-ASY080FL,-,30,-TY



TE Part # 1658043-2  
MSB0.80RC-ASY080FL,-,F,-TY



TE Part # 2-1658462-2  
MSB0.80RC-ASY080FL,-,30,-TY



TE Part # 6-1658012-2  
MSB0.80RC-ASY080FL,GP,10,-TR



TE Part # 2-1658012-2  
MSB0.80RC-ASY080FL,-,10,-TY

## Customers Also Bought



TE Part #CAT-D48-ST273  
DEUTSCH Connector Solid Contacts



TE Part #CAT-D487-W416  
Wedgelocks: DEUTSCH DT



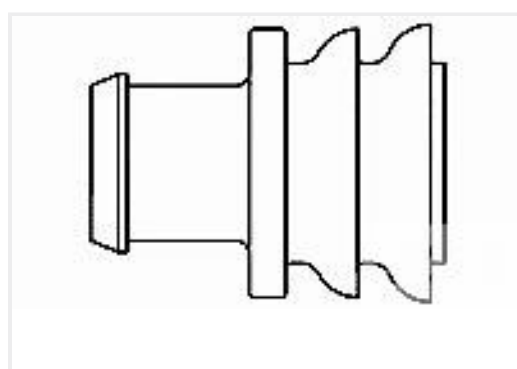
TE Part #DT04-2P  
REC, 2P, GRY, N



TE Part #DT06-2S  
PLG, 2P, GRY, N



TE Part #114017-ZZ  
SEALING PLUG, SIZE 12/16, WHT



TE Part #281934-2  
SINGLE WIRE SEAL



TE Part #CAT-AM71-CH8172  
AMP SUPERSEAL 1.5MM,  
CONNECTOR HOUSING



## Documents

### Product Drawings

[MSB0.80PL8ASY080FL,-,10,-TY](#)

English

---

### CAD Files

[3D PDF](#)

3D

Customer View Model

[ENG\\_CVM\\_CVM\\_1658014-2\\_K.2d\\_dxf.zip](#)

English

Customer View Model

[ENG\\_CVM\\_CVM\\_1658014-2\\_K.3d\\_igs.zip](#)

English

Customer View Model

[ENG\\_CVM\\_CVM\\_1658014-2\\_K.3d\\_stp.zip](#)

English

By downloading the CAD file I accept and agree to the [Terms and Conditions](#) of use.

---

### Datasheets & Catalog Pages

[MICTOR SB Interconnection System](#)

English

---

### Product Specifications

[Application Specification](#)

English

---

### Agency Approvals

[Agency Approval Document](#)

English