

146893-1 ✓ ACTIVE



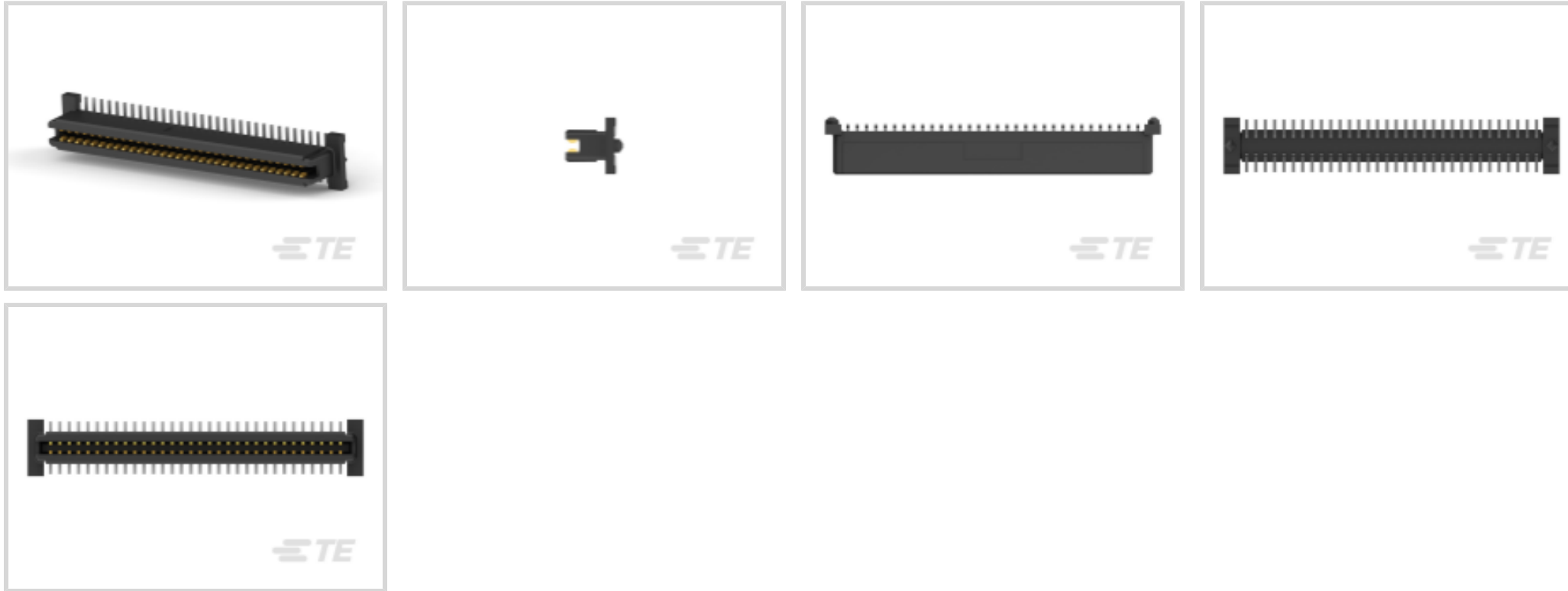
Free Height

TE Internal #: 146893-1

PCB Mount Receptacle, Vertical, Board-to-Board, 64 Position, 1 mm [.039 in] Centerline, Gold (Au), Surface Mount, Black, Tape & Reel, Free Height

[View on TE.com >](#)

Connectors > PCB Connectors > PCB Headers & Receptacles > Free Height Receptacle Conn: Board-Board, Vertical, 64, 1mm



PCB Connector Type: **PCB Mount Receptacle**

Connector System: **Board-to-Board**

Number of Positions: **64**

Centerline (Pitch): **1 mm [.039 in]**

PCB Mount Orientation: **Vertical**

[All Free Height Receptacle Conn: Board-Board, Vertical, 64, 1mm \(57\)](#)

Features

Product Type Features

PCB Connector Type	PCB Mount Receptacle
Connector System	Board-to-Board
Connector & Contact Terminates To	Printed Circuit Board
Connector Product Type	Connector Assembly

Configuration Features

Number of Columns	32
Stackable	Yes
Number of Positions	64
PCB Mount Orientation	Vertical
Board-to-Board Configuration	Parallel

Electrical Characteristics

Operating Voltage	250 VAC
-------------------	---------



Insulation Resistance	2 MΩ
-----------------------	------

Signal Characteristics

Differential Signaling	Yes
------------------------	-----

Body Features

Primary Product Color	Black
-----------------------	-------

Contact Features

Contact Underplating Material Thickness	1.27 μm[50 μin]
---	-----------------

Mating Tab Width	.63 mm[.024 in]
------------------	-----------------

PCB Contact Termination Area Plating Material Thickness	3.81 – 6.35 μm[150 – 250 μin]
---	-------------------------------

Contact Shape & Form	Single Beam
----------------------	-------------

Contact Layout	Inline
----------------	--------

Contact Mating Area Length	2 mm
----------------------------	------

Contact Base Material	Phosphor Bronze
-----------------------	-----------------

Mating Tab Thickness	.2 mm[.008 in]
----------------------	----------------

PCB Contact Termination Area Plating Material	Tin-Lead
---	----------

	29.92 μin
--	-----------

Contact Mating Area Plating Material	Gold (Au)
--------------------------------------	-----------

Contact Type	Tab
--------------	-----

Contact Current Rating (Max)	1 A
------------------------------	-----

Termination Features

Rectangular Termination Post & Tail Width	.3 mm[.011 in]
---	----------------

Rectangular Termination Post & Tail Thickness	.2 mm[.008 in]
---	----------------

Termination Method to PCB	Surface Mount
---------------------------	---------------

Mechanical Attachment

Mating Retention	Without
------------------	---------

PCB Mount Alignment Type	Locating Posts
--------------------------	----------------

Mating Alignment Type	None
-----------------------	------

Mating Alignment	Without
------------------	---------

PCB Mount Alignment	With
---------------------	------

PCB Mount Retention	Without
---------------------	---------

Housing Features

Mating Entry Location	Top
-----------------------	-----



Centerline (Pitch)	1 mm [.039 in]
--------------------	----------------

Housing Material	Thermoplastic
------------------	---------------

Dimensions

Connector Width	3.81 mm [.15 in]
-----------------	------------------

Connector Height	5.37 mm [.211 in]
------------------	-------------------

Connector Length	34.22 mm [1.347 in]
------------------	---------------------

Stack Height	8 mm, 9 mm, 10 mm [.394 in]
--------------	-----------------------------

Usage Conditions

Operating Temperature Range	-55 – 110 °C [-67 – 230 °F]
-----------------------------	-----------------------------

Operation/Application

Assembly Process Feature	Pick and Place Cover
--------------------------	----------------------

Industry Standards

Compatible With Agency/Standards Products	CSA, UL
---	---------

Industry Standard	IEEE 1386
-------------------	-----------

UL Rating	Listed
-----------	--------

Compatible With Approved Standards Products	CSA LR7189, UL E28476
---	-----------------------

UL Flammability Rating	UL 94V-0
------------------------	----------

Packaging Features

Packaging Method	Tape & Reel
------------------	-------------

Product Compliance

[For compliance documentation, visit the product page on TE.com>](#)

EU RoHS Directive 2011/65/EU	Not Compliant
------------------------------	---------------

EU ELV Directive 2000/53/EC	Compliant with Exemptions
-----------------------------	---------------------------

China RoHS 2 Directive MIIT Order No 32, 2016	有害物质含量超出标准 Restricted Substance(s) Above Threshold
---	--

EU REACH Regulation (EC) No. 1907/2006	Current ECHA Candidate List: JUNE 2025 (250)
--	--

Candidate List Declared Against: JUNE 2025 (250)

SVHC > Threshold:

Pb (13% in 4690948374)

Article Safe Usage Statements:

Do not eat, drink or smoke when using this product. Wash thoroughly after handling. Recycle if possible and dispose of the article by following all applicable governmental regulations relevant to your geographic location.

Halogen Content	Low Halogen - Br, Cl, F < 900 ppm per
-----------------	---------------------------------------

homogenous material. Also BFR/CFR/PVC Free

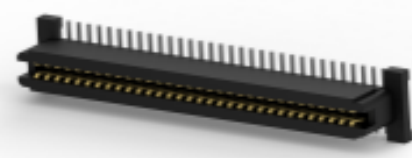
Solder Process Capability

Reflow solder capable to 260°C

Product Compliance Disclaimer

This information is provided based on reasonable inquiry of our suppliers and represents our current actual knowledge based on the information they provided. This information is subject to change. The part numbers that TE has identified as EU RoHS compliant have a maximum concentration of 0.1% by weight in homogenous materials for lead, hexavalent chromium, mercury, PBB, PBDE, DBP, BBP, DEHP, DIBP, and 0.01% for cadmium, or qualify for an exemption to these limits as defined in the Annexes of Directive 2011/65/EU (RoHS2). Finished electrical and electronic equipment products will be CE marked as required by Directive 2011/65/EU. Components may not be CE marked. Additionally, the part numbers that TE has identified as EU ELV compliant have a maximum concentration of 0.1% by weight in homogenous materials for lead, hexavalent chromium, and mercury, and 0.01% for cadmium, or qualify for an exemption to these limits as defined in the Annexes of Directive 2000/53/EC (ELV). Regarding the REACH Regulation, the information TE provides on SVHC in articles for this part number is based on the latest European Chemicals Agency (ECHA) 'Guidance on requirements for substances in articles' posted at this URL: <https://echa.europa.eu/guidance-documents/guidance-on-reach>

Compatible Parts



TE Part # CAT-314-RCB64
Free Height Receptacle Conn: Board-Board, Vertical, 64, 1mm



TE Part # 120526-1
1FHP,64,30A/P,S,N,S09,11,14

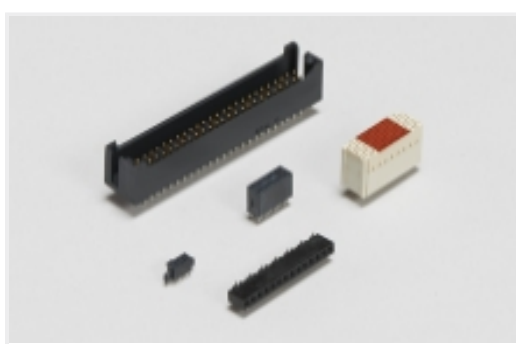


TE Part # CAT-314-PCB64
Free Height Plug Connector: Board-Board, Vertical, 64, 1mm



TE Part # 120534-1
1FHP,64,30A/P,N,C,S10,12,13,15

Also in the Series | Free Height



Board-to-Board Headers & Receptacles(736)

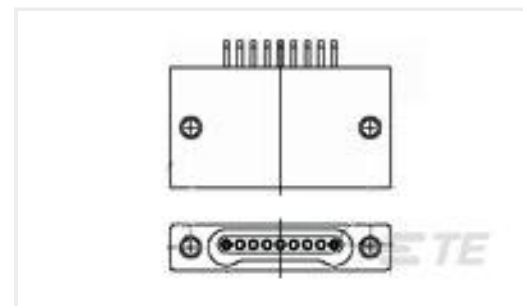


PCB Headers & Receptacles(736)

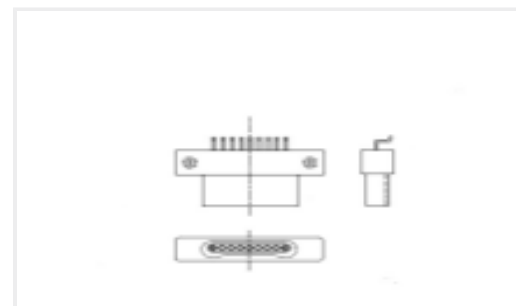
Customers Also Bought



TE Part #53050
TERMINAL,PIDG R IR 26 6



TE Part #1589462-9
SSL009L2HN = SMT CONN



TE Part #1589700-1
SSM051B2H = SMT CONN



TE Part #1614354-6
RN 0603 4K64 0.1% 10PPM CUT LENGTH



TE Part #5-1814832-2
SMA Str PCB Skt GZD



TE Part #9-1879208-2
CPF 0402 62K 0.1% 25PPM 1K RL



TE Part #8-1879213-6
CPF 0402 232R 0.1% 25PPM 1K RL



TE Part #6-1879336-6
CPF 0603 1K1 1% 50PPM 1K RL



TE Part #1-1879339-3
CPF 0603 383K 1% 50PPM 1K RL



TE Part #2176216-1
CPF A 0603 10R 0.1% 25PPM 1K RL

Documents

Product Drawings

[1FHR,64,30A/P,S,C,S08,09,10](#)

English

CAD Files

[3D PDF](#)

3D

Customer View Model

[ENG_CVM_CVM_146893-1_M.2d_dxf.zip](#)

English

Customer View Model

[ENG_CVM_CVM_146893-1_M.3d_igs.zip](#)

English

Customer View Model

[ENG_CVM_CVM_146893-1_M.3d_stp.zip](#)

English

By downloading the CAD file I accept and agree to the [Terms and Conditions](#) of use.

Product Specifications

146893-1

PCB Mount Receptacle, Vertical, Board-to-Board, 64 Position, 1 mm [.039 in]
Centerline, Gold (Au), Surface Mount, Black, Tape & Reel, Free Height



Application Specification

English