

102387-6 ✓ ACTIVE

AMPMODU | AMPMODU IV/V

TE Internal #: 102387-6

26 Position, Receptacle, Housing, Crimp, Wire-to-Board, UL 94V-0,
2.54 mm [.1 in] Centerline, 2 Row, 250 VAC, Wire & Cable, Signal,
AMPMODU IV/V

[View on TE.com >](#)



Connectors > Rectangular Connectors > Standard Rectangular Connectors



Connector Product Type: **Housing**

Connector & Housing Type: **Receptacle**

Connector System: **Wire-to-Board**

UL Flammability Rating: **UL 94V-0**

Number of Positions: **26**

Features

Product Type Features

Connector Product Type	Housing
Connector & Housing Type	Receptacle
Connector System	Wire-to-Board
Connector & Contact Terminates To	Wire & Cable

Configuration Features

Number of Positions	26
Number of Rows	2

Electrical Characteristics

Termination Resistance	12 m Ω
Dielectric Withstanding Voltage (Max)	750 V
Insulation Resistance	5000 M Ω
Operating Voltage	250 VAC

Body Features

Primary Product Color	Black
-----------------------	-------



Contact Features

Contact Base Material	Beryllium Copper
Contact Type	Socket
Contact Current Rating (Max)	3 A

Termination Features

Termination Method to Wire & Cable	Crimp
------------------------------------	-------

Mechanical Attachment

Strain Relief	Without
Mating Retention	Without

Housing Features

Housing Entry Configuration	Both Ends Closed
Centerline (Pitch)	2.54 mm [.1 in]
Housing Material	Thermoplastic

Dimensions

Connector Height	7.23 mm [.285 in]
Connector Length	37.59 mm [1.48 in]
Row-to-Row Spacing	2.54 mm [.1 in]

Usage Conditions

Operating Temperature Range	-65 – 105 °C [-85 – 221 °F]
-----------------------------	-----------------------------

Operation/Application

Circuit Application	Signal
---------------------	--------

Industry Standards

Compatible With Approved Standards Products	CSA LR7189, UL E28476
Glow Wire Rating	Standard Part - Not Glow Wire
UL Flammability Rating	UL 94V-0

Packaging Features

Packaging Method	Package
Packaging Quantity	1

Product Compliance

[For compliance documentation, visit the product page on TE.com>](#)



EU RoHS Directive 2011/65/EU	Compliant
EU ELV Directive 2000/53/EC	Compliant
China RoHS 2 Directive MIIT Order No 32, 2016	有害物质含量符合标准要求 No Restricted Substance(s) Above Threshold
EU REACH Regulation (EC) No. 1907/2006	Current ECHA Candidate List: JUNE 2025 (250) Candidate List Declared Against: JUNE 2025 (250) Does not contain REACH SVHC
Halogen Content	BFR/CFR/PVC Free, but Br/Cl >900 ppm in other sources.
Solder Process Capability	Not applicable for solder process capability

Product Compliance Disclaimer

This information is provided based on reasonable inquiry of our suppliers and represents our current actual knowledge based on the information they provided. This information is subject to change. The part numbers that TE has identified as EU RoHS compliant have a maximum concentration of 0.1% by weight in homogenous materials for lead, hexavalent chromium, mercury, PBB, PBDE, DBP, BBP, DEHP, DIBP, and 0.01% for cadmium, or qualify for an exemption to these limits as defined in the Annexes of Directive 2011/65/EU (RoHS2). Finished electrical and electronic equipment products will be CE marked as required by Directive 2011/65/EU. Components may not be CE marked. Additionally, the part numbers that TE has identified as EU ELV compliant have a maximum concentration of 0.1% by weight in homogenous materials for lead, hexavalent chromium, and mercury, and 0.01% for cadmium, or qualify for an exemption to these limits as defined in the Annexes of Directive 2000/53/EC (ELV). Regarding the REACH Regulation, the information TE provides on SVHC in articles for this part number is based on the latest European Chemicals Agency (ECHA) 'Guidance on requirements for substances in articles' posted at this URL: <https://echa.europa.eu/guidance-documents/guidance-on-reach>

Compatible Parts



TE Part # 2-5102156-6
A/L UNIV HDR 26P VERT BLUE



TE Part # 103455-1
MOD V RECP PLTD 30 AU



TE Part # 5103310-6
A/L LOW PRO HDR 26P RA BLACK



TE Part # 6-87756-7
MOD IV REC STP INT'L SPEC REEL




TE Part # 87309-8
MOD V RECP PLTD SN



TE Part # 87523-5
MOD IV RECP PLTD SN



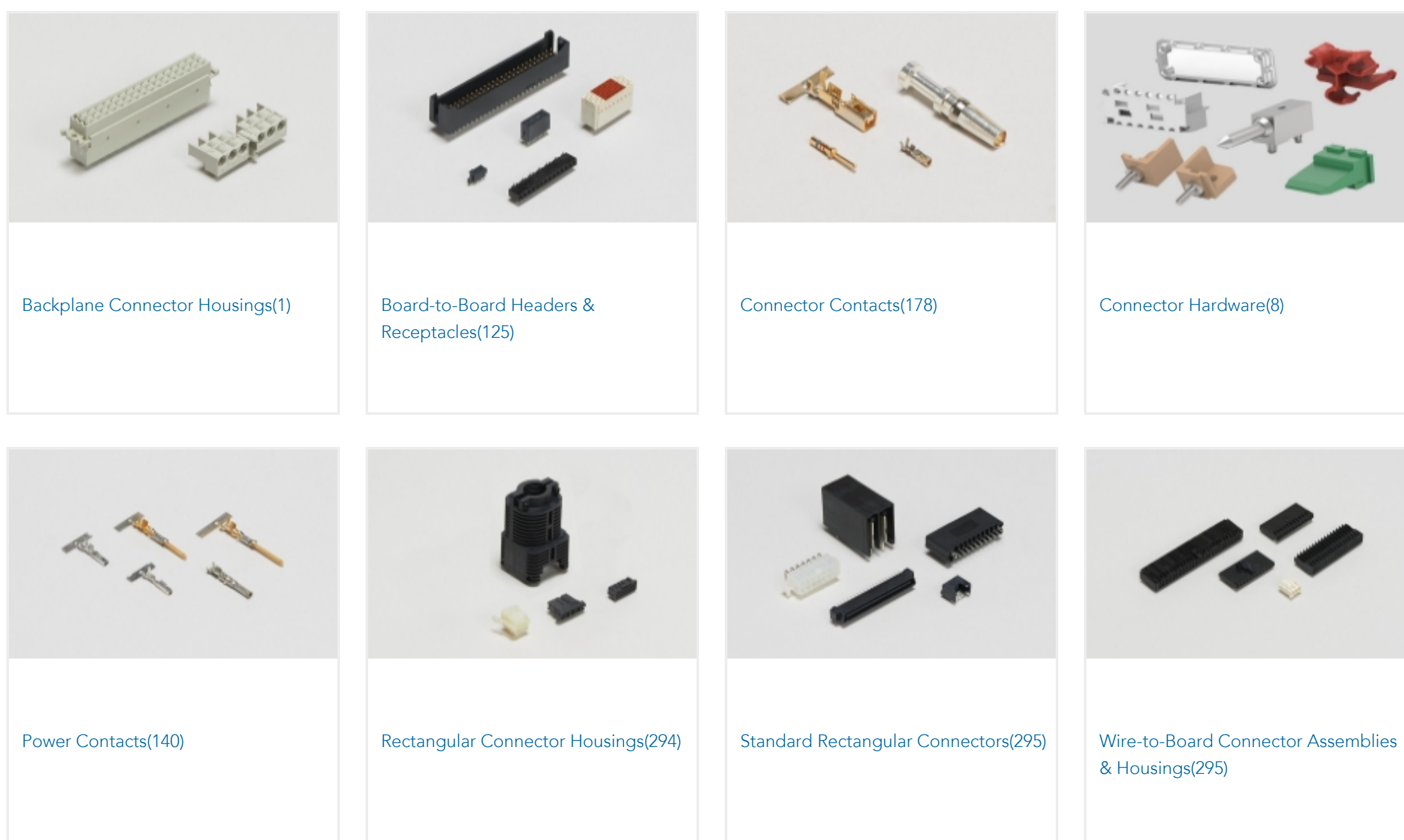
TE Part # 5103309-6
A/L LOW PRO HDR 26P VERT BLACK



TE Part # 87077-1
MOD IV KEYING PLUG



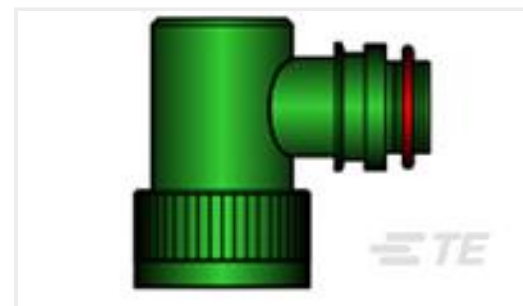
Also in the Series | **AMPMODU IV/V**



Customers Also Bought



TE Part #696453-000
B-053-70



TE Part #241613-000
TXR40AB90-1406BI



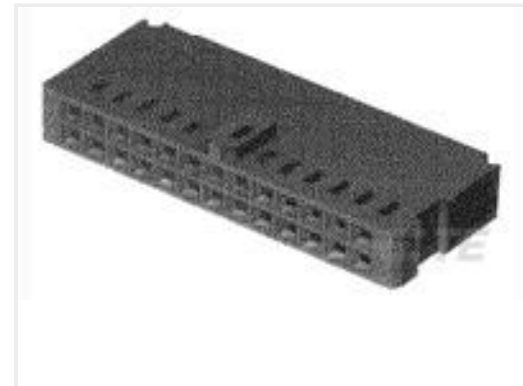
TE Part #483818-000
HPK02WE1050



TE Part #CM4515-000
55A0131-24-0/6/9



TE Part #819954-SF
FN9262A-10-06



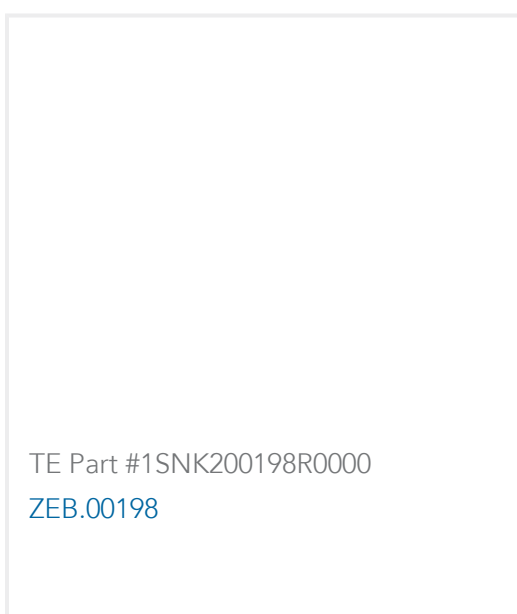
TE Part #1-102387-0
50 MODIV HSG COMP DR .100 POL



TE Part #414002-1
PLUG,CABLE,RTANG,SMB,AUPLTD



TE Part #4-2213767-7
AV19 DPM 3A MOVE RING LED RED
24V



TE Part #1SNK200198R0000
ZEB.00198



TE Part #CD60393001
44A0111-22-5CK0300

Documents

CAD Files

3D PDF

3D

Customer View Model

[ENG_CVM_CVM_102387-6_AF.3d_igs.zip](#)

English

Customer View Model

[ENG_CVM_CVM_102387-6_AF.3d_stp.zip](#)

English

Customer View Model

[ENG_CVM_CVM_102387-6_AF.2d_dxf.zip](#)

English

By downloading the CAD file I accept and agree to the [Terms and Conditions](#) of use.

Datasheets & Catalog Pages

[AMPMODU_INTERCONNECTION_SYSTEM_SECTION5_CONT](#)

English

[1-1773720-9_AMPMODU_MOD_IV_V_QRG](#)

English



Product Specifications

Product Specification

English

Interconnection System, AMPMODU Mod IV, Male

English

Product Specification

Japanese

Product Specification

English

Agency Approvals

UL

English