



## Product Compliance

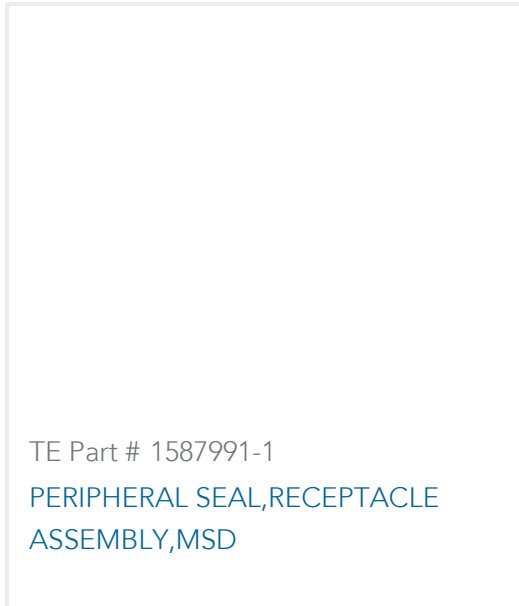
[For compliance documentation, visit the product page on TE.com>](#)

EU RoHS Directive 2011/65/EU	Compliant
EU ELV Directive 2000/53/EC	Compliant with Exemptions
China RoHS 2 Directive MIIT Order No 32, 2016	有害物质含量符合标准要求 No Restricted Substance(s) Above Threshold
EU REACH Regulation (EC) No. 1907/2006	<p>Current ECHA Candidate List: JUNE 2025 (250)</p> <p>Candidate List Declared Against: JUNE 2025 (250)</p> <p>SVHC &gt; Threshold:</p> <p>Dodecamethylcyclohexasiloxane (D6) (.5% in M-12054-1)</p> <p>Decamethylcyclopentasiloxane (D5) (.5% in 30166851462)</p> <p>Pb (2% in 17063110754)</p> <p>Octamethylcyclotetrasiloxane (D4) (.5% in M-12054-1)</p> <p><b>Article Safe Usage Statements:</b> Do not eat, drink or smoke when using this product. Wash thoroughly after handling. Recycle if possible and dispose of the article by following all applicable governmental regulations relevant to your geographic location.</p>
Halogen Content	Low Halogen - Br, Cl, F < 900 ppm per homogenous material. Also BFR/CFR/PVC Free
Solder Process Capability	Not applicable for solder process capability

### Product Compliance Disclaimer

This information is provided based on reasonable inquiry of our suppliers and represents our current actual knowledge based on the information they provided. This information is subject to change. The part numbers that TE has identified as EU RoHS compliant have a maximum concentration of 0.1% by weight in homogenous materials for lead, hexavalent chromium, mercury, PBB, PBDE, DBP, BBP, DEHP, DIBP, and 0.01% for cadmium, or qualify for an exemption to these limits as defined in the Annexes of Directive 2011/65/EU (RoHS2). Finished electrical and electronic equipment products will be CE marked as required by Directive 2011/65/EU. Components may not be CE marked. Additionally, the part numbers that TE has identified as EU ELV compliant have a maximum concentration of 0.1% by weight in homogenous materials for lead, hexavalent chromium, and mercury, and 0.01% for cadmium, or qualify for an exemption to these limits as defined in the Annexes of Directive 2000/53/EC (ELV). Regarding the REACH Regulation, the information TE provides on SVHC in articles for this part number is based on the latest European Chemicals Agency (ECHA) 'Guidance on requirements for substances in articles' posted at this URL: <https://echa.europa.eu/guidance-documents/guidance-on-reach>

## Compatible Parts



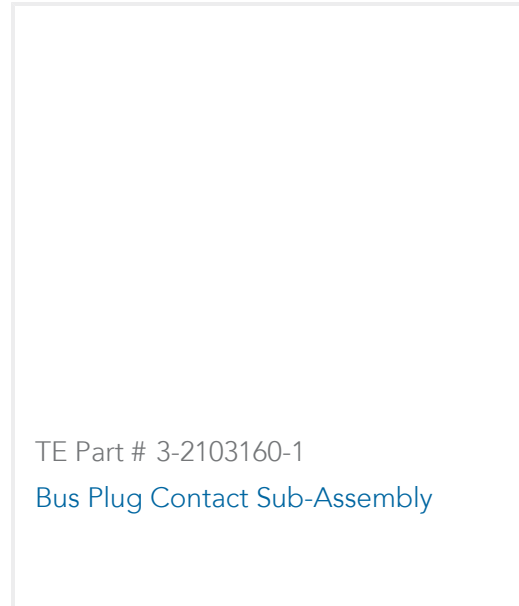
TE Part # 1587991-1  
PERIPHERAL SEAL,RECEPTACLE ASSEMBLY,MSD



TE Part # 2103234-2  
Service Cap, Orange



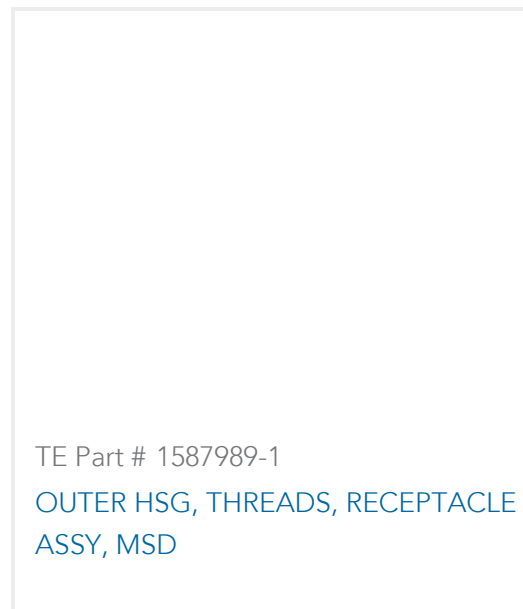
TE Part # 1-2103172-1  
Plug Assembly, 350A, MSD



TE Part # 3-2103160-1  
Bus Plug Contact Sub-Assembly



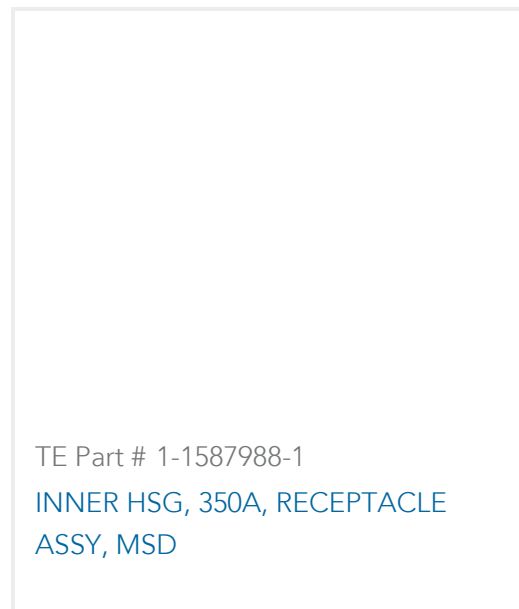
TE Part # 1-2103212-1  
Plug Assembly, 350A, MSD



TE Part # 1587989-1  
OUTER HSG, THREADS, RECEPTACLE ASSY, MSD



TE Part # 1-2103212-2  
Plug Assembly, 350A, MSD

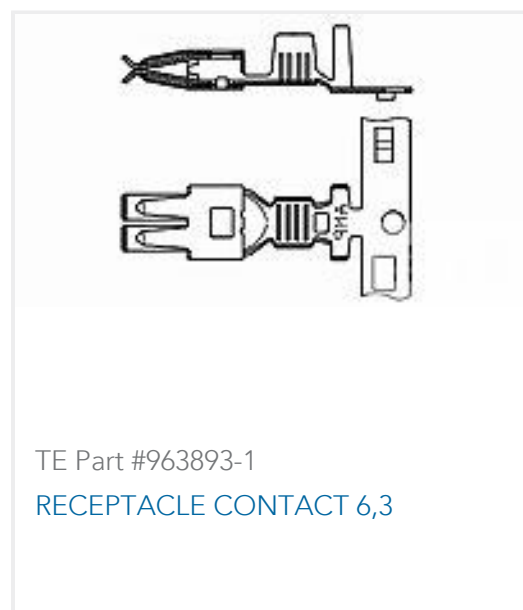


TE Part # 1-1587988-1  
INNER HSG, 350A, RECEPTACLE ASSY, MSD

## Customers Also Bought



TE Part #K1151414  
Relay 30-313-11-EC-10-907



TE Part #963893-1  
RECEPTACLE CONTACT 6,3



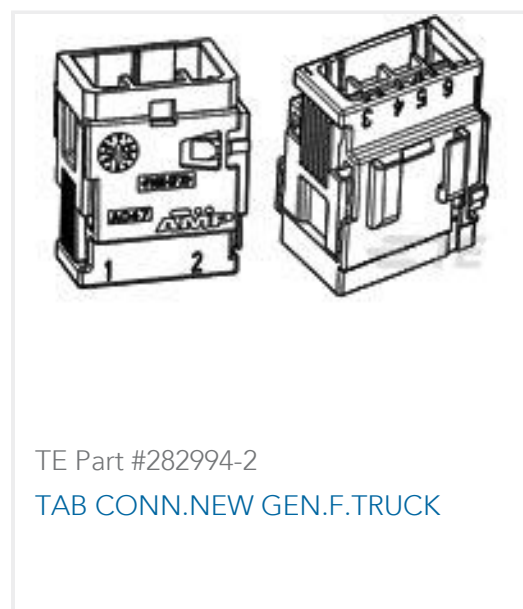
TE Part #4-965641-1  
TAB HSG 2.8MM 6POS.



TE Part #6-1393211-9  
T92P7D22-12



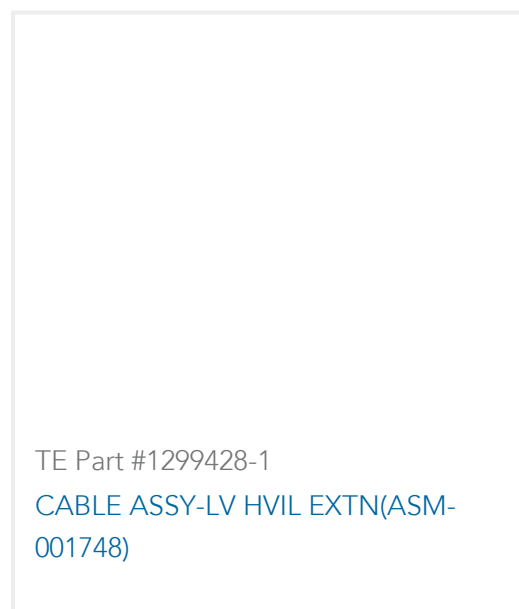
TE Part #CAT-H3399-CH8172  
Heavy Duty Sealed Connector Series Housings



TE Part #282994-2  
TAB CONN.NEW GEN.F.TRUCK



TE Part #284107-1  
MULTILOCK CONN.070SRS.TAB CONT



TE Part #1299428-1  
CABLE ASSY-LV HVIL EXTN(ASM-001748)



TE Part #2843102-2  
INR HSG ASSY, HC-STAK25 XE, HDR, NO HVIL



## Documents

### Product Drawings

[RECEPTACLE ASSEMBLY, 350A, MSD](#)

English

---

### CAD Files

[3D PDF](#)

3D

Customer View Model

[ENG\\_CVM\\_CVM\\_1-1587987-1\\_E.2d\\_dxf.zip](#)

English

Customer View Model

[ENG\\_CVM\\_CVM\\_1-1587987-1\\_E.3d\\_igs.zip](#)

English

Customer View Model

[ENG\\_CVM\\_CVM\\_1-1587987-1\\_E.3d\\_stp.zip](#)

English

By downloading the CAD file I accept and agree to the [Terms and Conditions](#) of use.

---

### Product Specifications

[Product Specification](#)

English

---

### Instruction Sheets

[Instruction Sheet \(U.S.\)](#)

English