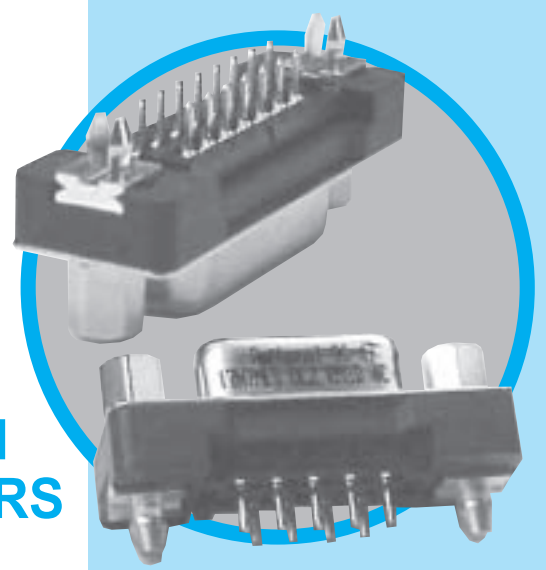


TS

D-Sub connectors - Stamped and Formed Contacts

STRAIGHT PCB TERMINATION ONE SHELL CONNECTORS



CHARACTERISTICS

Specifications

- Connectors according to MIL C24308
- **UL File:** E232356

Materials and Platings	
Shells	Steel, tin over nickel plating
Insulator	Glass-filled thermoplastic, UL 94V-0
Contacts	Brass, with selective gold plating
Boardlock	Brass with nickel plating
Screwlock	Brass with nickel plating

Electrical Data	
Current rating	5A
Voltage rating	600V AC/rms 50Hz
Withstanding voltage	1000V AC/rms 50Hz for one minute
Insulation resistance	5000MΩ
Contact resistance	10mΩ max

Climatic Data	
Operating temperature	-55°C to +125°C

Mechanical Data		
Mating and unmating force		
Unit: kg (lb)		
No. of Cts	Mate (max)	Unmate (min)
9	3.05 (6.74)	0.36 (0.79)
15	5.09 (11.24)	0.46 (1.01)
25	8.44 (18.66)	0.81 (1.8)
37	12.51 (27.65)	1.1 (2.47)
Standard plating thicknesses		
<ul style="list-style-type: none"> • gold flash • 0.4µm (15µ") gold • 0.76 µm (30µ") gold 		

DESCRIPTION

The one shell D-sub Amphenol series features, stamped and formed contacts.

This series gives you Amphenol's high standards of quality and reliability to meet all of your commercial requirements

Economical
straight PCB,
one shell
connectors

APPLICATIONS

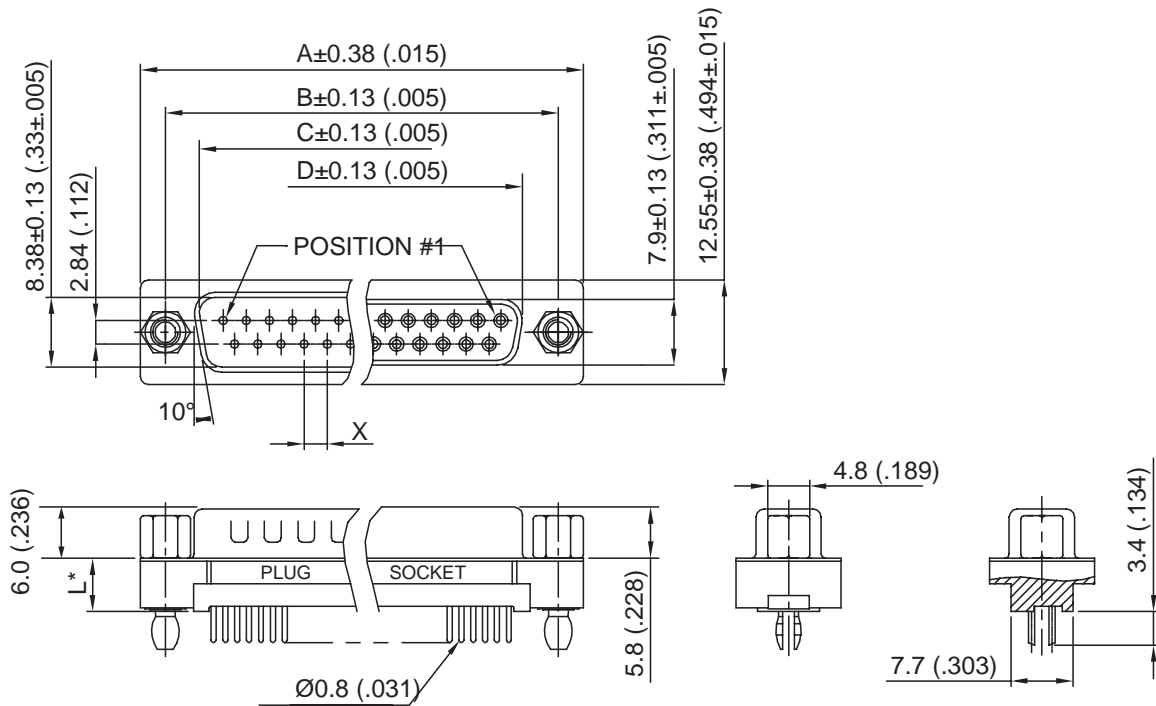
- Industrial
- Telecom
- Any industry standard I/O connections



Amphenol

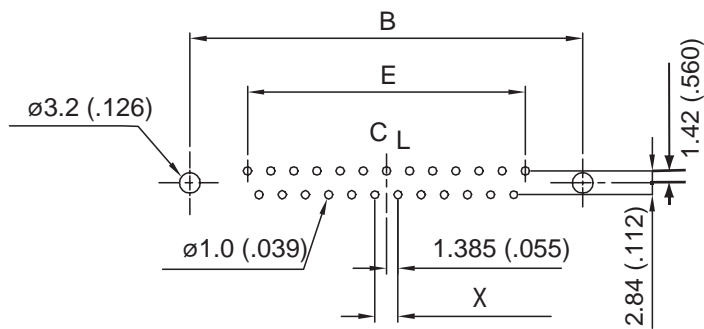
TS / E10

Shell Size Dimensions



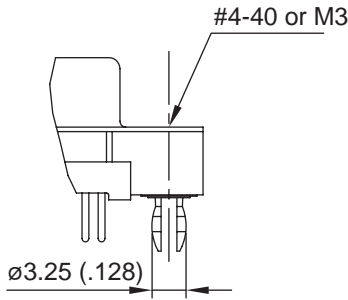
*see chart "how to order"

RECOMMENDED P.C.B. LAYOUT

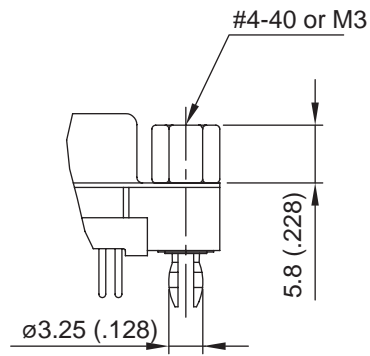


Nb OF CONTACTS	DIMENSIONS mm (inch)					
	A	B	C	D	E	X
9	30.84 (1.21)	24.99 (.984)	16.92 (.666)	16.26 (.640)	11.08 (.436)	2.77
15	39.24 (1.54)	33.32 (1.31)	25.25 (.994)	24.56 (.967)	19.39 (.763)	2.77
25	53.04 (2.09)	47.04 (1.85)	38.96 (1.53)	38.30 (1.51)	33.24 (1.31)	2.77
37	69.34 (2.73)	63.50 (2.50)	55.42 (2.18)	54.76 (2.16)	49.86 (1.96)	2.77

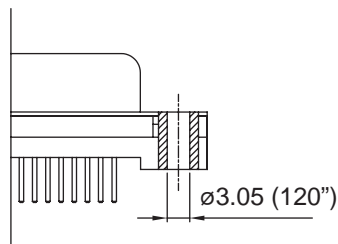
Panel mounting option



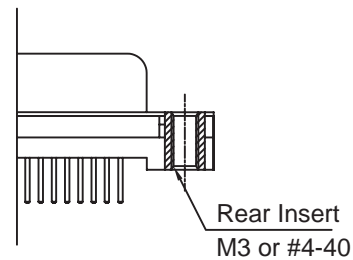
Boardlock with Threaded Insert
RM5



Boardlock with Front Screwlock
RM8



Clear Hole
Blank



Rear Insert Threaded
H or G

How to order

L ... **TS** **C309**

RoHS Compliant	
gold flash	77: tinned shell for receptacle 717: tinned shell + dimples for plug
0.4 μ m (15 μ "")	177: tinned shell for receptacle 777: tinned shell + dimples for plug
shell size	E, A, B, C
mounting options	Blank = Clear Hole G = M3 H = 4-40 H,G must also be used to specify the threading of RM5 or RM8 grounding tabs
configuration	09, 15, 25, 37

plating option valid only for 0.76 μ m (30 μ "")

part numbers to be written as follow:

77.....C309
or
717.....C309

board mounting options

Blank = Clear Hole
RM5 = boardlock
RM8 = boardlock + front screwlock

termination

OL2 : L = 6.02mm (.237")
OL2C : L = 11.48mm (.452")

contact type

P = pin
S = socket

Example: L77 TS E H 09 S OL2 RM5
L717 TS E H 09 P OL2 RM8 C309

