

8-968970-1 ✓ ACTIVE

AMP | AMP MCP Connector System, AMP MCP 2.8

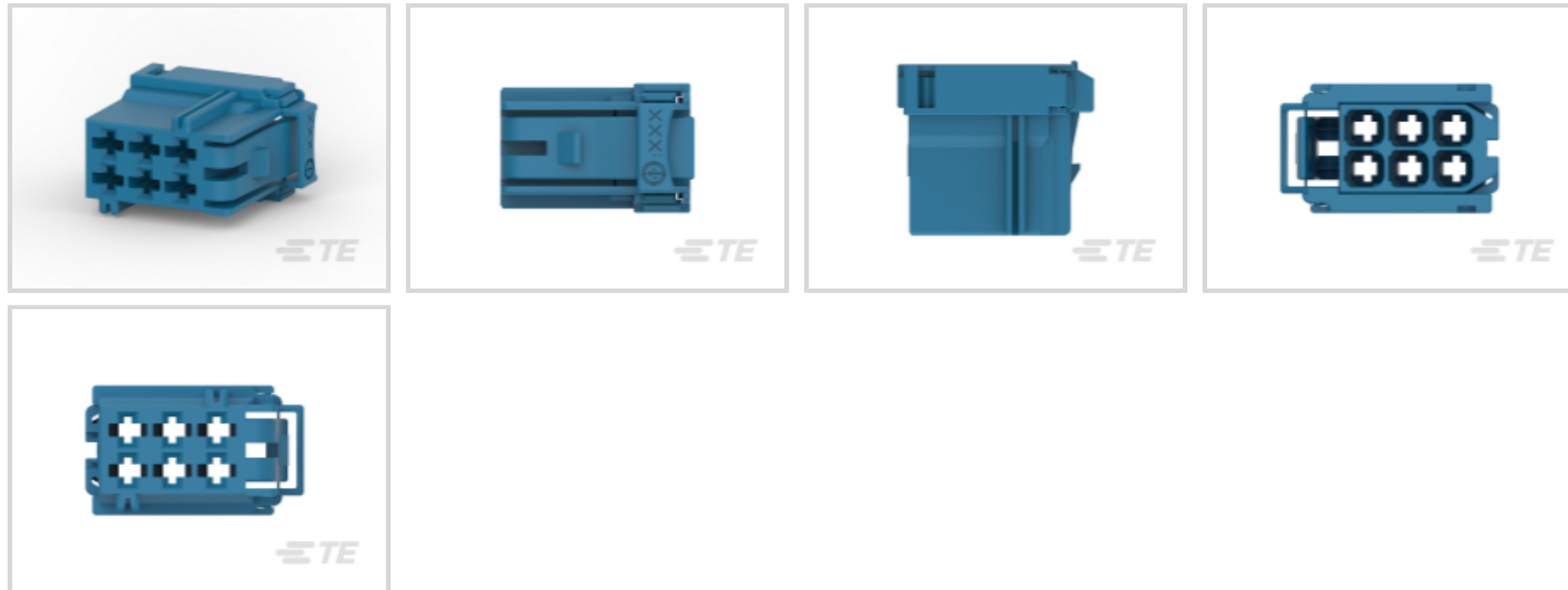
TE Internal #: 8-968970-1

12 V / 24 V, 6 Position, Automotive Housing for Female Terminals,  
Wire-to-Wire, 5 mm [.197 in] Centerline, Blue, Wire & Cable, Power,  
Hybrid

[View on TE.com >](#)



Automotive Parts > Automotive Connectors > Automotive Housings > AMP Unsealed Connector Housing



Nominal Voltage Architecture: 12 V, 24 V

Connector & Housing Type: **Housing for Female Terminals**

Number of Positions: **6**

Sealable: **No**

Operating Temperature Range: -40 – 120 °C [ -40 – 248 °F ]

[All AMP Unsealed Connector Housing \(109\)](#)

## Features

### Product Type Features

Mixed & Hybrid Connector	No
Connector Shape	Rectangular
Connector & Housing Type	Housing for Female Terminals
Sealable	No
Primary Locking Feature	Integrated in Housing
Connector System	Wire-to-Wire
Connector & Contact Terminates To	Wire & Cable

### Configuration Features

Number of Positions	6
Number of Rows	2

### Electrical Characteristics

Operating Voltage	28 VDC
-------------------	--------



Nominal Voltage Architecture	12 V, 24 V
------------------------------	------------

### Body Features

Cable Exit Angle	180 °
Primary Product Color	Blue
Connector & Keying Code	A

### Contact Features

Contact Size	2.8mm
Contact Type	Receptacle
Mating Tab Width	2.8 mm [.11 in]

### Mechanical Attachment

Strain Relief	Without
Terminal Position Assurance	No
Mating Alignment Type	Keyed
Mating Alignment	With
Connector Mounting Type	Cable Mount (Free-Hanging)

### Housing Features

Housing Material	PBT GF
Centerline (Pitch)	5 mm [.197 in]

### Dimensions

Row-to-Row Spacing	5 mm [.197 in]
Product Width	16 mm [.63 in]
Product Length	16 mm [.63 in]
Connector Height	24 mm [.945 in]

### Usage Conditions

Operating Temperature Range	-40 – 120 °C [-40 – 248 °F]
Operating Temperature (Max)	120 °C [248 °F]

### Operation/Application

Circuit Application	Power
---------------------	-------

### Packaging Features

Packaging Quantity	2400
Packaging Method	Carton

### Other



Serviceable	No
Connector Position Assurance Capable	No

### Product Compliance

[For compliance documentation, visit the product page on TE.com>](#)

EU RoHS Directive 2011/65/EU	Compliant
EU ELV Directive 2000/53/EC	Compliant
China RoHS 2 Directive MIIT Order No 32, 2016	有害物质含量符合标准要求 No Restricted Substance(s) Above Threshold
EU REACH Regulation (EC) No. 1907/2006	Current ECHA Candidate List: JUNE 2025 (250) Candidate List Declared Against: JUNE 2025 (250) Does not contain REACH SVHC
Halogen Content	BFR/CFR/PVC Free, but Br/Cl >900 ppm in other sources.
Solder Process Capability	Not applicable for solder process capability

#### Product Compliance Disclaimer

This information is provided based on reasonable inquiry of our suppliers and represents our current actual knowledge based on the information they provided. This information is subject to change. The part numbers that TE has identified as EU RoHS compliant have a maximum concentration of 0.1% by weight in homogenous materials for lead, hexavalent chromium, mercury, PBB, PBDE, DBP, BBP, DEHP, DIBP, and 0.01% for cadmium, or qualify for an exemption to these limits as defined in the Annexes of Directive 2011/65/EU (RoHS2). Finished electrical and electronic equipment products will be CE marked as required by Directive 2011/65/EU. Components may not be CE marked. Additionally, the part numbers that TE has identified as EU ELV compliant have a maximum concentration of 0.1% by weight in homogenous materials for lead, hexavalent chromium, and mercury, and 0.01% for cadmium, or qualify for an exemption to these limits as defined in the Annexes of Directive 2000/53/EC (ELV). Regarding the REACH Regulation, the information TE provides on SVHC in articles for this part number is based on the latest European Chemicals Agency (ECHA) 'Guidance on requirements for substances in articles' posted at this URL: <https://echa.europa.eu/guidance-documents/guidance-on-reach>

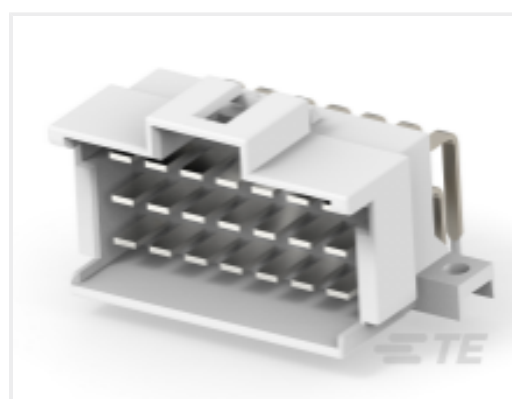
### Compatible Parts



TE Part # CAT-AM705-T273  
AMP MCP, RECEPTACLE AND TAB

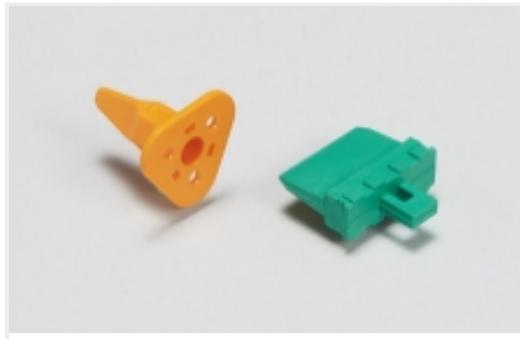


TE Part # CAT-T4827-CH8172  
Timer Connector Housing

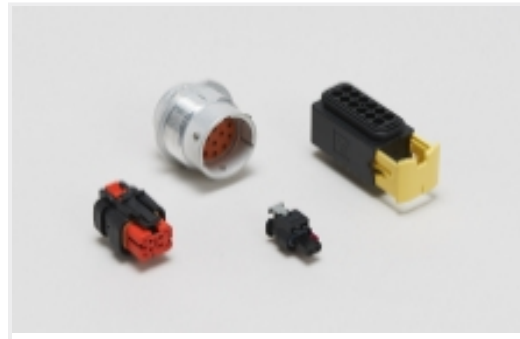


TE Part # 4-966140-6  
TAB HEADER 2,8X0,8MM 21POS

Also in the Series | [AMP MCP 2.8](#)



Automotive Connector Locks & Position Assurance(5)



Automotive Housings(237)



Automotive Seals & Cavity Plugs(6)

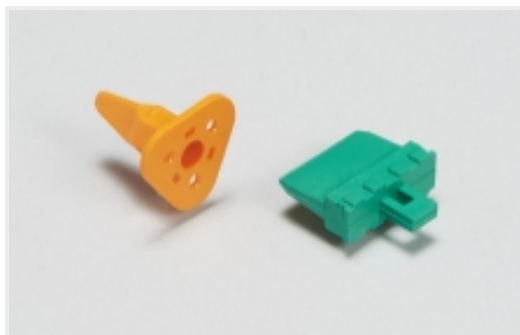


Automotive Signal & Power Connector Housings(83)



Other Automotive Connector Accessories(4)

### Also in the Series | AMP MCP Connector System



Automotive Connector Locks & Position Assurance(5)



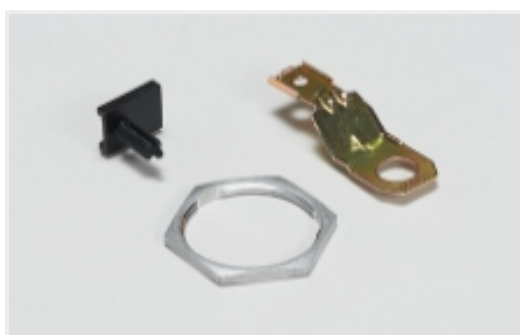
Automotive Housings(237)



Automotive Seals & Cavity Plugs(6)

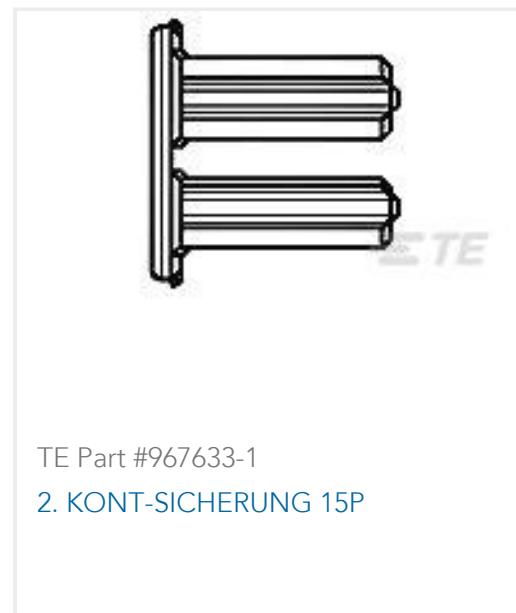


Automotive Signal & Power Connector Housings(83)



Other Automotive Connector Accessories(4)

### Customers Also Bought



## Documents

### Product Drawings

[MCP2.8 GEH 6P](#)

English

[MCP2.8 GEH 6P](#)

English

### CAD Files

[3D PDF](#)

3D

Customer View Model

[ENG\\_CVM\\_CVM\\_8-968970-1\\_F.2d\\_dxf.zip](#)

English

Customer View Model

[ENG\\_CVM\\_CVM\\_8-968970-1\\_F.3d\\_igs.zip](#)

English

Customer View Model

[ENG\\_CVM\\_CVM\\_8-968970-1\\_F.3d\\_stp.zip](#)

English

By downloading the CAD file I accept and agree to the [Terms and Conditions](#) of use.

### Product Specifications

[Application Specification](#)

English