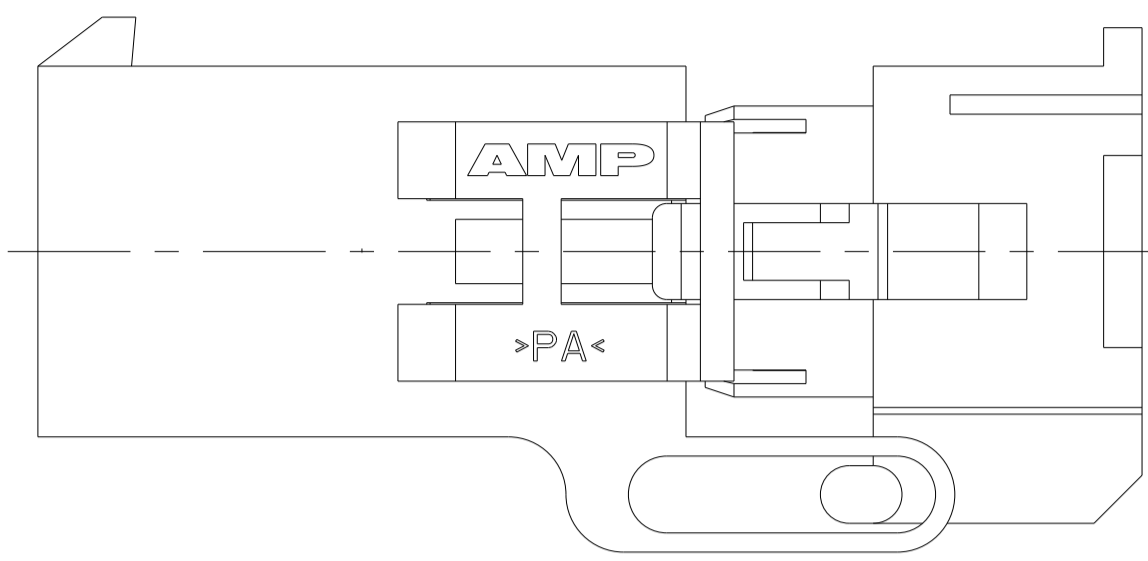
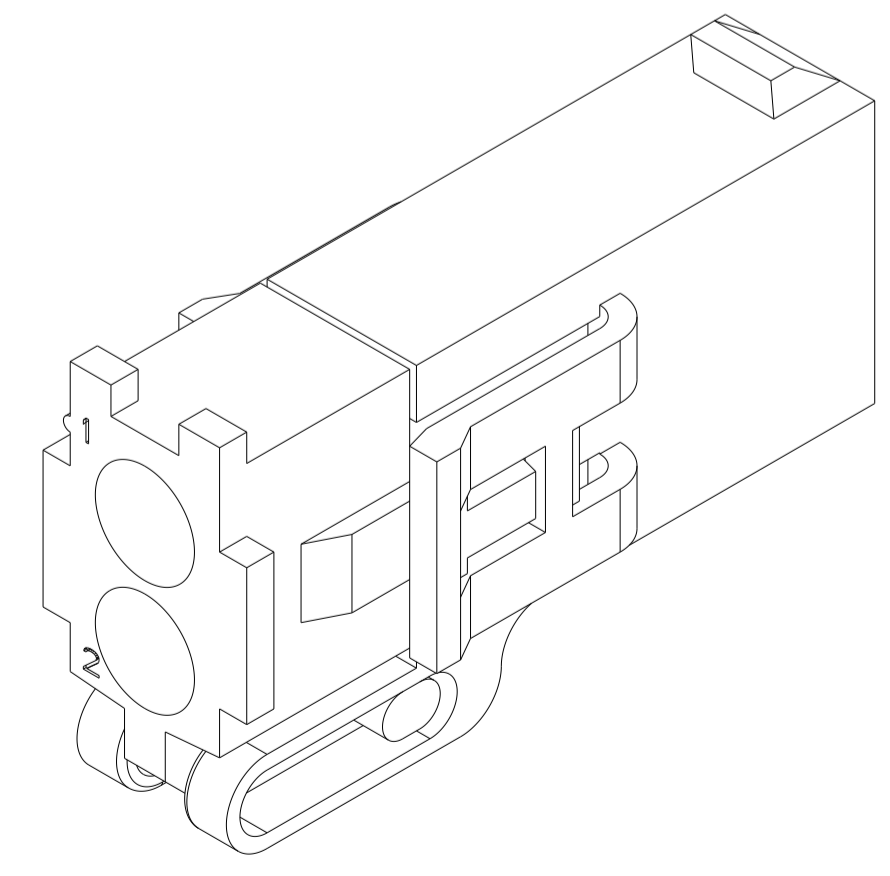
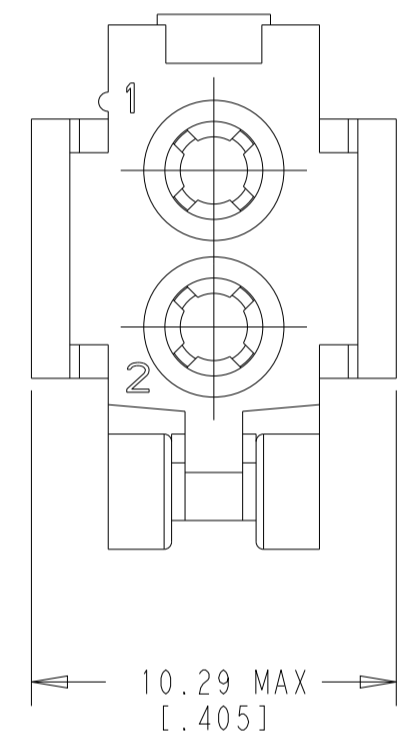
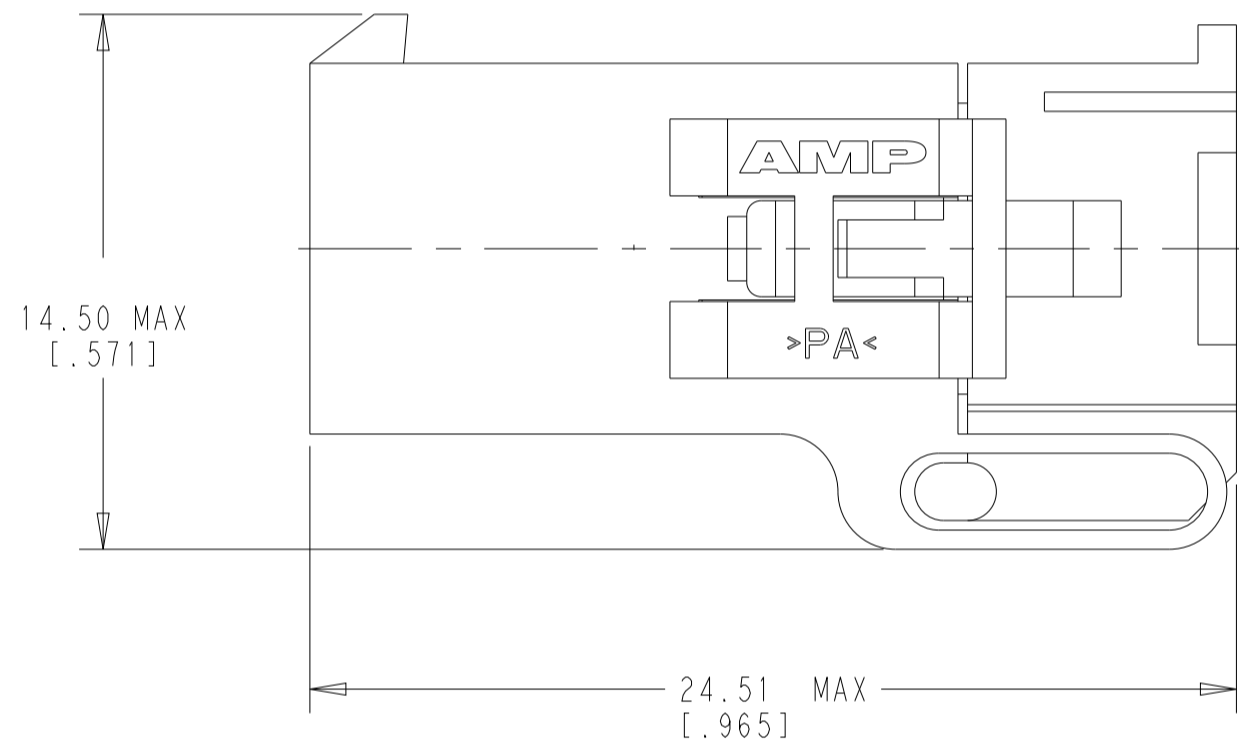
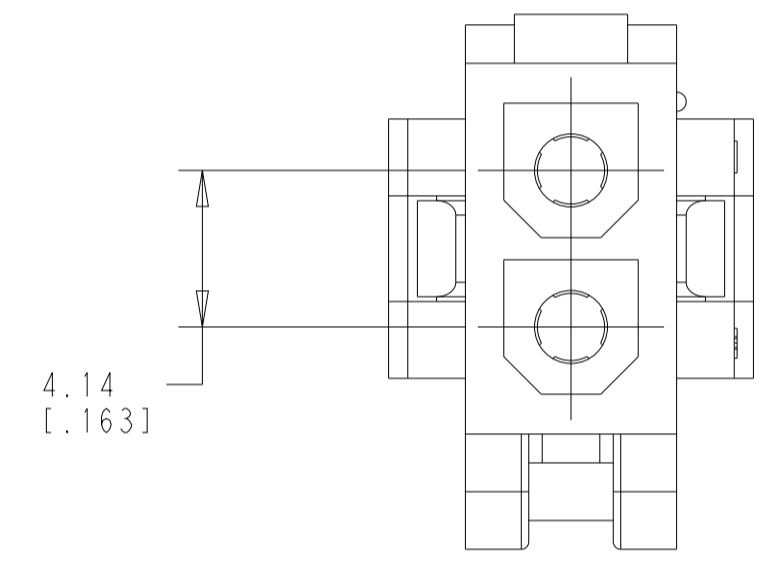


REVISIONS				
P	LTN	DESCRIPTION	DATE	APVD
D		REVISED PER EC 0638-0375-03	06-JUN-03	KW CJ
D1		REVISED PER ECR-23-192973	30NOV2023	AK JP
E		REVISED PER ECR-25-237115	20MAR2025	DK JP



PRE-STAGED CONDITION

1. DIMENSIONS IN BRACKETS ARE IN INCHES.



794185-1
PART NUMBER

THIS DRAWING IS A CONTROLLED DOCUMENT.		DWN K. WHITAKER 5-09-97		NAME CAP. 2 CIRCUIT, MINI UNIVERSAL MATE-N-LOK™ 2	
DIMENSIONS: mm [INCHES]		CHK R. SWING 5-09-97			
TOLERANCES UNLESS OTHERWISE SPECIFIED:		APVD H. ORSTAD 5-09-97			
0 PLC ±	1 PLC ±	2 PLC ±0.13 [0.005]	PRODUCT SPEC	SIZE	
3 PLC ±	4 PLC ±	ANGLES ±0°30'	APPLICATION SPEC	CAGE CODE	
MATERIAL NYLON, UL 94V-0, NATURAL	FINISH	WEIGHT	CUSTOMER DRAWING	DRAWING NO A 00779 794185	RESTRICTED TO
			SCALE	SHEET	REV
			5:1	1 OF 1	E