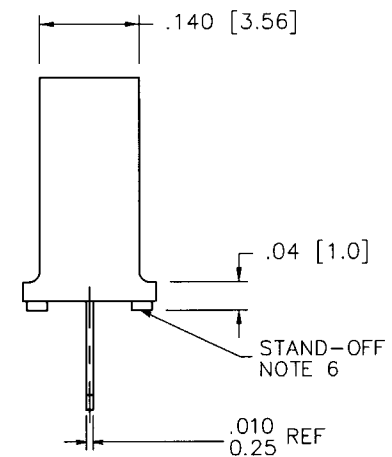
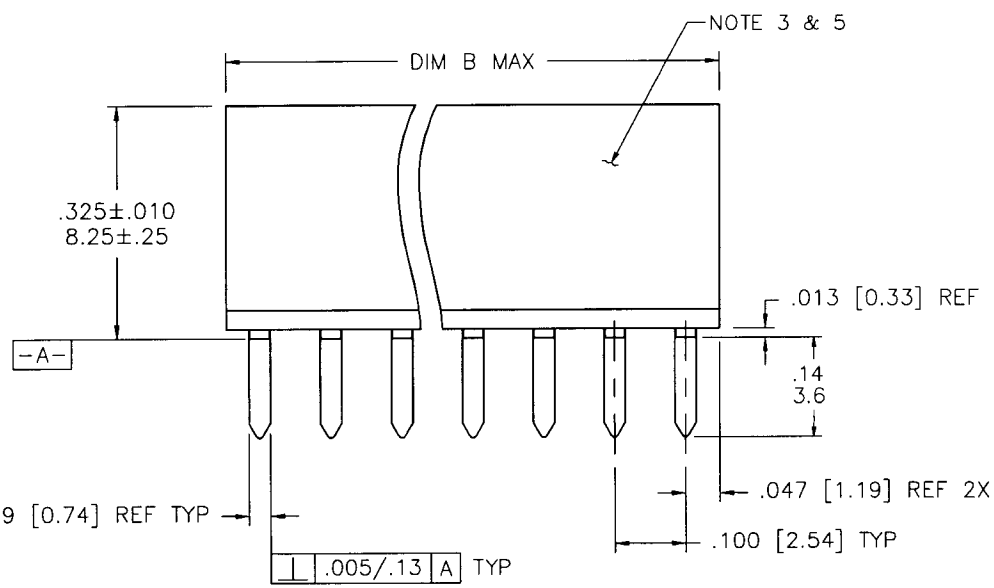
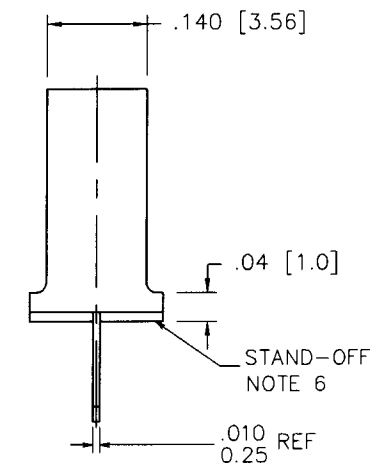
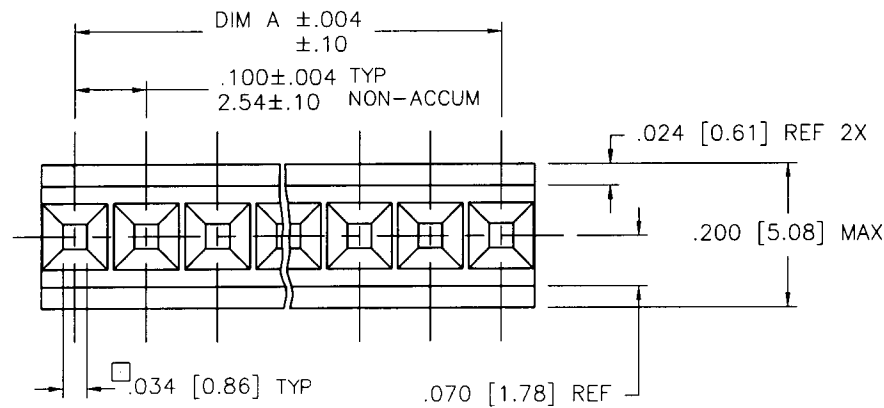


Tous droits strictement reserves. Reproduction ou communication a des tiers interdite sous quelque forme que ce soit sans autorisation écrite du propriétaire. Propriete de c FCI. Droits de reproduction FCI.



All rights strictly reserved. Reproduction or issue to third parties in any form whatever is not permitted without written authority from the proprietor. Property of FCI. Copyright FCI.

PRODUCT NUMBER  
SEE TABLE



|                           |                |     |          |  |                       |            |                           |                  |            |                                   |       |
|---------------------------|----------------|-----|----------|--|-----------------------|------------|---------------------------|------------------|------------|-----------------------------------|-------|
| mat'l. code<br>NOTE 1 & 2 |                |     |          | tolerances unless<br>otherwise specified |                       |            |                           | CUSTOMER<br>COPY |            | Electronics<br>www.fciconnect.com |       |
| ltr                       | ecn no         | dr  | date     | linear                                   | .XX ±.01/.X±.3        | projection |                           |                  | title      |                                   |       |
| D                         | REDRAW         | JGS | 12/11/90 |  | .XXX ±.005/.XX±.13    |            | VERT. CARD CONNECTOR      |                  |            |                                   |       |
| E                         | ADD CODE       | SR  | 2/13/91  |  | .XXX ±.0020/.XXX±.051 |            | .100/2.54 CTR. SINGLE ROW |                  |            |                                   |       |
| F                         | V11848         | JGS | 7/2/91   | angles                                   | 0° ±2'                |            | product family            |                  | CARD CONN. |                                   | code  |
| G                         | V23245         | MRC | 10/13/92 | dr                                       | R.SHREINER 12/11/90   |            | size                      |                  | 213        |                                   | sheet |
| H                         | V70789         | MDF | 8/14/97  | enr                                      | M.HAHN 12/11/90       | A          |                           | 66951            |            | 1 of 4                            |       |
| J                         | V94468         | MDF | 1/7/00   | chr                                      | M.HAHN 12/11/90       | scale      |                           | 4:1              |            |                                   |       |
|                           |                |     |          | appd                                     | M.HAHN 12/11/90       |            |                           |                  |            |                                   |       |
| sheet index               | revision sheet | J   | J        | J  | J                     |            |                           |                  |            |                                   |       |
|                           |                | 1   | 2        | 3  | 4                     |            |                           |                  |            |                                   |       |

cage code  
22526

Tous droits strictement réservés. Reproduction ou communication a des tiers interdite sous quelque forme que ce soit sans autorisation écrite du propriétaire. Propriété de c FCI. Droits de reproduction FCI.



All rights strictly reserved. Reproduction or issue to third parties in any form whatever is not permitted without written authority from the proprietor. Property of FCI. Copyright FCI.

PRODUCT NUMBER  
SEE TABLE

|              |                                |
|--------------|--------------------------------|
| MARKING CODE |                                |
| 66951-0XX    | STANDARD MARKING PER NOTE 3    |
| 66951-8XX    | SPECIAL MIL MARKING PER NOTE 5 |

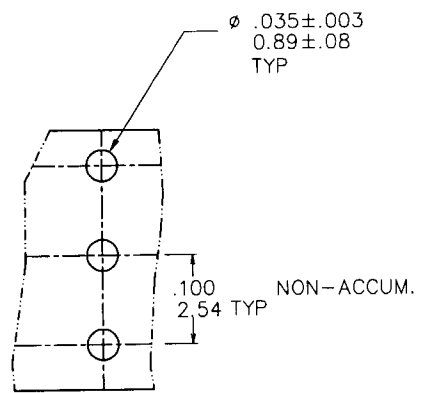


FIG.1  
SCALE 5/1

NOTES:

- HOUSING MATERIAL: FILLED POLYESTER, FLAME RETARDANT PER UL 94V-0. COLOR: BLACK.
- TERMINAL MATERIAL:  
BODY: BRASS  
SPRING: BeCu. HEAT TREATED  
BODY PLATING: 30u"/.76u Au OVER 50u" /1.27u Ni IN CONTACT AREA.  
100u"/2.54u TIN-LEAD OVER 50u" /1.27u Ni ON SOLDER TAIL.  
SPRING PLATING: GOLD FLASH
- PRODUCT DASH NUMBERS WITH FIRST DIGIT BEING "0" TO BE MARKED "FCI", FCI FINAL PART NUMBER AND DATE CODE.  
PARTS 1 X 8 OR LESS HAVE THIS INFORMATION ON TUBE LABEL INSTEAD OF HOUSING. DASH NUMBER WITH "U" AS FOURTH DIGIT (XXXXX-XXXU) IS UNMARKED.
- APPLICATION INFORMATION.  
A. RECOMMENDED MOUNTING HOLE PATTERN IS SHOWN IN FIG. #1.  
B. ALL MATING PINS TO BE .025/.64 SQUARE ON TRUE CENTER OF GIVEN TERMINAL SPACINGS, WITHIN .015/.38 DIAMETER.  
C. SUGGESTED MATING PIN LENGTH, .210 ± .020 / 5.33 ± .51.
- PRODUCT DASH NUMBERS WITH FIRST DIGIT BEING "8" TO BE MARKED "FCI", CAGE 22526, DESC. WWWW (NO. TO BE ASSIGNED) AND DATE.  
PARTS 1 X 8 OR LESS HAVE THIS INFORMATION ON TUBE LABEL INSTEAD OF HOUSING.
- STAND-OFF CONFIGURATION:  
BUMP OR RIB AT MANUFACTURERS' OPTION.

|             |                |    |      |                                       |                       |                |                           |                                   |       |
|-------------|----------------|----|------|---------------------------------------|-----------------------|----------------|---------------------------|-----------------------------------|-------|
| mat'l. code |                |    |      | tolerances unless otherwise specified |                       | CUSTOMER COPY  |                           | Electronics<br>www.fciconnect.com |       |
| ltr         | ecn no         | dr | date | linear                                | .XX ±.01/.X±.3        | projection<br> | title                     |                                   |       |
| J           |                |    |      |                                       | .XXX ±.005/.XX±.13    |                | VERT. CARD CONNECTOR      |                                   |       |
|             |                |    |      | angles                                | .xxx ±.0020/.xxx±.051 |                | .100/2.54 CTR. SINGLE ROW |                                   |       |
|             |                |    |      | dr                                    | 0° ±2'                | INCH/MM        | product family            |                                   | code  |
|             |                |    |      | enr                                   | J. SHREINER 12/11/90  | scale<br>1:1   | CARD CONN.                |                                   | 213   |
|             |                |    |      | chr                                   | M.HAHN 12/11/90       |                | size                      |                                   | sheet |
|             |                |    |      | appd                                  | M.HAHN 12/11/90       |                | 66951                     |                                   | 2 of  |
| sheet index | revision sheet |    |      |                                       |                       |                | cage code                 |                                   |       |
|             |                |    |      |                                       |                       |                | 22526                     |                                   |       |

| PRODUCT NO | NO. OF POS | DIM A       | DIM B       | DESC P/N ON -8XX SERIES ONLY |
|------------|------------|-------------|-------------|------------------------------|
| 66951-Y01  | UNASSIGNED |             |             |                              |
| -Y02       | 1X2        | .100/2.54   | .200/5.08   | WWWWW-02                     |
| -Y03       | 1X3        | .200/5.08   | .300/7.62   | WWWWW-03                     |
| -Y04       | 1X4        | .300/7.62   | .400/10.16  | WWWWW-04                     |
| -Y05       | 1X5        | .400/10.16  | .500/12.70  | WWWWW-05                     |
| -Y06       | 1X6        | .500/12.70  | .600/15.24  | WWWWW-06                     |
| -Y07       | 1X7        | .600/15.24  | .700/17.78  | WWWWW-07                     |
| -Y08       | 1X8        | .700/17.78  | .800/20.32  | WWWWW-08                     |
| -Y09       | 1X9        | .800/20.32  | .900/22.86  | WWWWW-09                     |
| -Y10       | 1X10       | .900/22.86  | 1.000/25.40 | WWWWW-10                     |
| -Y11       | 1X11       | 1.000/25.40 | 1.100/27.94 | WWWWW-11                     |
| -Y12       | 1X12       | 1.100/27.94 | 1.200/30.48 | WWWWW-12                     |
| -Y13       | 1X13       | 1.200/30.48 | 1.300/33.02 | WWWWW-13                     |
| -Y14       | 1X14       | 1.300/33.02 | 1.400/35.56 | WWWWW-14                     |
| -Y15       | 1X15       | 1.400/35.56 | 1.500/38.10 | WWWWW-15                     |
| -Y16       | 1X16       | 1.500/38.10 | 1.600/40.64 | WWWWW-16                     |
| -Y17       | 1X17       | 1.600/40.64 | 1.700/43.18 | WWWWW-17                     |
| -Y18       | 1X18       | 1.700/43.18 | 1.800/45.72 | WWWWW-18                     |
| -Y19       | 1X19       | 1.800/45.72 | 1.900/48.26 | WWWWW-19                     |
| -Y20       | 1X20       | 1.900/48.26 | 2.000/50.80 | WWWWW-20                     |
| -Y21       | 1X21       | 2.000/50.80 | 2.100/53.34 | WWWWW-21                     |
| -Y22       | 1X22       | 2.100/53.34 | 2.200/55.88 | WWWWW-22                     |
| -Y23       | 1X23       | 2.200/55.88 | 2.300/58.42 | WWWWW-23                     |
| -Y24       | 1X24       | 2.300/58.42 | 2.400/60.96 | WWWWW-24                     |
| 66951-Y25  | 1X25       | 2.400/60.96 | 2.500/63.50 | WWWWW-25                     |

DBS

Tous droits strictement reserves. Reproduction ou communication a des tiers interdite sous quelque forme que ce soit sans autorisation écrite du propriétaire. Propriete de c FCI. Droits de reproduction FCI.



All rights strictly reserved. Reproduction or issue to third parties in any form whatever is not permitted without written authority from the proprietor. Property of FCI. Copyright FCI.

A

A

B

B

|             |                |    |      |                                       |                       |                |  |
|-------------|----------------|----|------|---------------------------------------|-----------------------|----------------|--|
| mat'l. code |                |    |      | tolerances unless otherwise specified |                       | CUSTOMER COPY  | Electronics<br>www.fciconnect.com                          |
| ltr         | ecn no         | dr | date | linear                                | .XX ±.01/.X±.3        |                |  |
| J           |                |    |      | linear                                | .XXX ±.005/.XX±.13    | projection<br> | title<br>VERT. CARD CONNECTOR<br>.100/2.54 CTR. SINGLE ROW |
|             |                |    |      | angles                                | .XXX ±.0020/.XXX±.051 |                |  |
|             |                |    |      | angles                                | 0° ±2°                | INCH/MM<br>    | product family CARD CONN.<br>code 213                      |
|             |                |    |      | dr                                    | J. SHREINER 12/11/90  |                |  |
|             |                |    |      | enrg                                  | M.HAHN 12/11/90       | scale<br>1:1   | size dwg no<br>A 66951<br>sheet 3 of                       |
|             |                |    |      | chr                                   | M.HAHN 12/11/90       |                |  |
|             |                |    |      | appd                                  | M.HAHN 12/11/90       |                |  |
| sheet index | revision sheet |    |      |                                       |                       |                |  |

cage code 22526

| PRODUCT NO | NO. OF POS | DIM A       | DIM B       | DESC P/N ON -8XX SERIES ONLY |
|------------|------------|-------------|-------------|------------------------------|
| 66951-Y26  | 1X26       | 2.500/63.50 | 2.600/66.04 | WWWWW-26                     |
| -Y27       | 1X27       | 2.600/66.04 | 2.700/68.58 | WWWWW-27                     |
| -Y28       | 1X28       | 2.700/68.58 | 2.800/71.12 | WWWWW-28                     |
| -Y29       | 1X29       | 2.800/71.12 | 2.900/73.66 | WWWWW-29                     |
| -Y30       | 1X30       | 2.900/73.66 | 3.000/76.20 | WWWWW-30                     |
| -Y31       | 1X31       | 3.000/76.20 | 3.100/78.74 | WWWWW-31                     |
| -Y32       | 1X32       | 3.100/78.74 | 3.200/81.28 | WWWWW-32                     |
| -Y33       | 1X33       | 3.200/81.28 | 3.300/83.82 | WWWWW-33                     |
| -Y34       | 1X34       | 3.300/83.82 | 3.400/86.36 | WWWWW-34                     |
| -Y35       | 1X35       | 3.400/86.36 | 3.500/88.90 | WWWWW-35                     |
| 66951-Y36  | 1X36       | 3.500/88.90 | 3.600/91.44 | WWWWW-36                     |

Tous droits strictement reserves. Reproduction ou communication a des tiers interdite sous quelque forme que ce soit sans autorisation écrite du propriétaire. Propriete de c FCI. Droits de reproduction FCI.



All rights strictly reserved. Reproduction or issue to third parties in any form whatever is not permitted without written authority from the proprietor. Property of FCI. Copyright FCI.

|             |                |    |      |                                       |  |  |                                    |   |
|-------------|----------------|----|------|---------------------------------------|--|--|------------------------------------|---|
| mat'l. code |                |    |      | tolerances unless otherwise specified |  | CUSTOMER COPY  | Electronics<br>www.fciconnect.com  |   |
| ltr         | ecn no         | dr | date | linear                                | .XX ±.01/.X±.3   |  | projection<br>INCH/MM<br>scale 1:1 | title<br><b>VERT. CARD CONNECTOR</b><br>.100/2.54 CTR. SINGLE ROW |
| J           |                |    |      | angles                                | .XXX ±.005/.XX±.13<br>.xxxx ±.0020/.xxx±.051<br>0° ±2' | product family CARD CONN. code 213<br>size dwg no 66951 sheet 4 of |                                    |   |
|             |                |    |      | dr                                    | J. SHREINER 12/11/90                                   |  |                                    |   |
|             |                |    |      | enr                                   | M.HAHN 12/11/90  |  |                                    |   |
|             |                |    |      | chr                                   | M.HAHN 12/11/90  |  |                                    |   |
|             |                |    |      | appd                                  | M.HAHN 12/11/90  |  |                                    |   |
| sheet index | revision sheet |    |      |                                       |  | cage code 22526  |                                    | 4   |