

1418994-1 ✓ ACTIVE

AMP | AMP MCP Connector System, AMP MCP 2.8

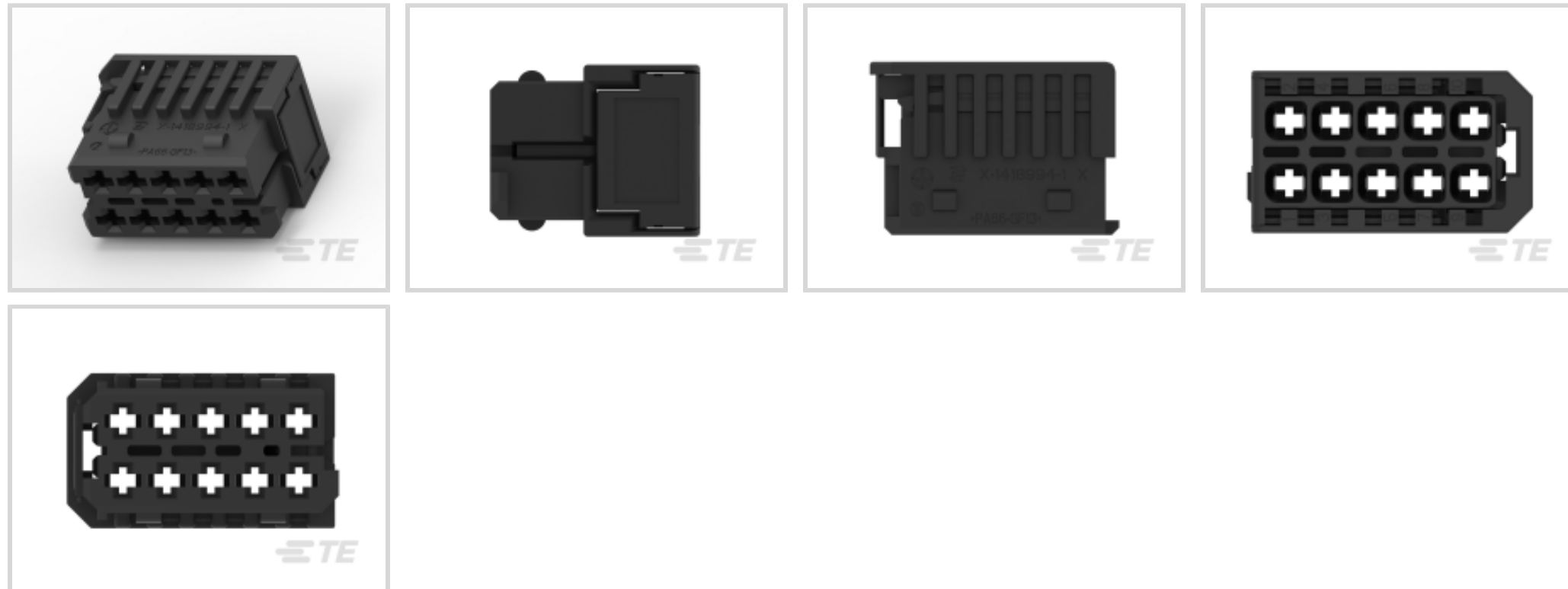
TE Internal #: 1418994-1

12 V / 24 V, 10 Position, Automotive Housing for Female Terminals,
Wire-to-Wire, 5.5 mm [.217 in] Centerline, Black, Wire & Cable,
Power, Hybrid

[View on TE.com >](#)



Automotive Parts > Automotive Connectors > Automotive Housings > AMP Unsealed Connector Housing



Nominal Voltage Architecture: 12 V, 24 V

Connector & Housing Type: **Housing for Female Terminals**

Number of Positions: 10

Sealable: **No**

Operating Temperature Range: -40 – 120 °C [-40 – 248 °F]

[All AMP Unsealed Connector Housing \(109\)](#)

Features

Product Type Features

Mixed & Hybrid Connector	No
Connector Shape	Rectangular
Connector & Housing Type	Housing for Female Terminals
Sealable	No
Primary Locking Feature	Integrated in Housing
Connector System	Wire-to-Wire
Connector & Contact Terminates To	Wire & Cable

Configuration Features

Number of Positions	10
Number of Rows	2

Electrical Characteristics

Operating Voltage	28 VDC
-------------------	--------



Nominal Voltage Architecture	12 V, 24 V
------------------------------	------------

Body Features

Cable Exit Angle	180 °
Primary Product Color	Black

Contact Features

Contact Size	2.8mm
Contact Type	Receptacle
Mating Tab Width	2.8 mm[.11 in]
Contact Current Rating (Max)	30 A

Mechanical Attachment

Strain Relief	Without
Terminal Position Assurance	No
Mating Alignment Type	Keyed
Mating Alignment	With
Connector Mounting Type	Cable Mount (Free-Hanging)

Housing Features

Housing Material	PA GF
Centerline (Pitch)	5.5 mm[.217 in]

Dimensions

Row-to-Row Spacing	7.4 mm[.291 in]
Product Width	19.3 mm[.759 in]
Product Length	33.5 mm[1.32 in]
Connector Height	23.6 mm[.929 in]

Usage Conditions

Operating Temperature Range	-40 – 120 °C[-40 – 248 °F]
Operating Temperature (Max)	120 °C[248 °F]

Operation/Application

Circuit Application	Power
---------------------	-------

Industry Standards

IP Rating	IP30
UL Flammability Rating	UL 94HB

Packaging Features



Packaging Quantity	1500
--------------------	------

Packaging Method	Box
------------------	-----

Other

Serviceable	Yes
-------------	-----

Connector Position Assurance Capable	No
--------------------------------------	----

Product Compliance

[For compliance documentation, visit the product page on TE.com>](#)

EU RoHS Directive 2011/65/EU	Compliant
------------------------------	-----------

EU ELV Directive 2000/53/EC	Compliant
-----------------------------	-----------

China RoHS 2 Directive MIIT Order No 32, 2016	有害物质含量符合标准要求 No Restricted Substance(s) Above Threshold
---	---

EU REACH Regulation (EC) No. 1907/2006	Current ECHA Candidate List: JUNE 2025 (250) Candidate List Declared Against: JUNE 2025 (250) Does not contain REACH SVHC
--	---

Halogen Content	BFR/CFR/PVC Free, but Br/Cl >900 ppm in other sources.
-----------------	--

Solder Process Capability	Not applicable for solder process capability
---------------------------	--

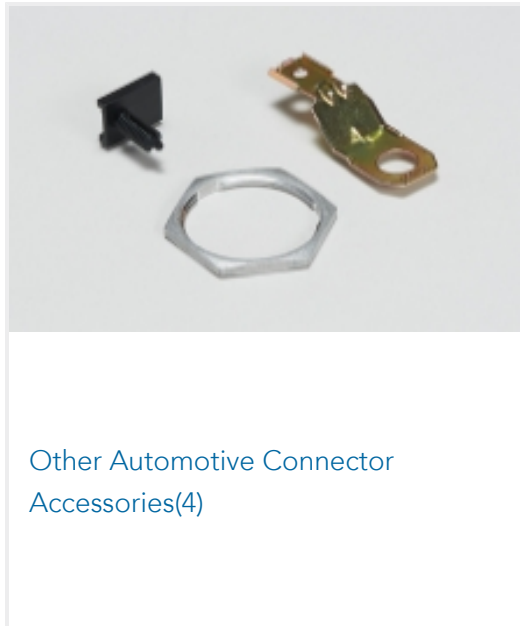
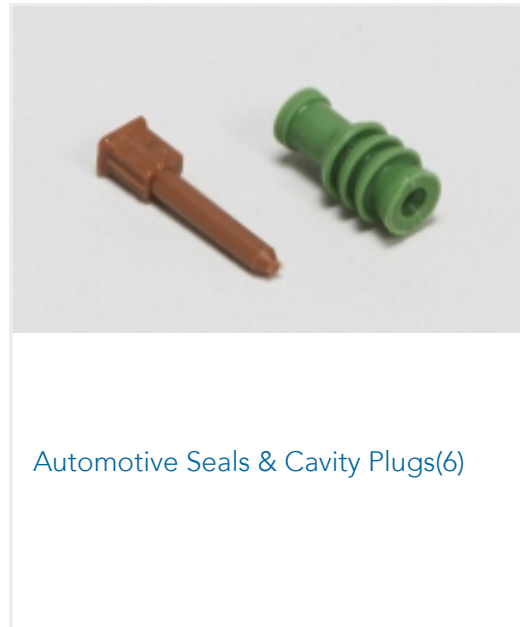
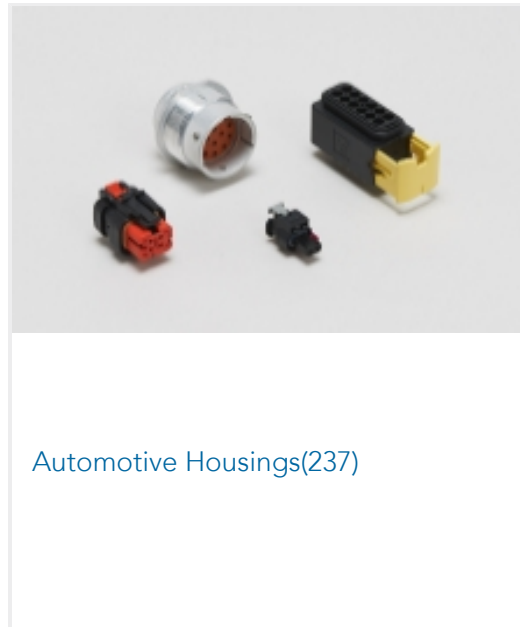
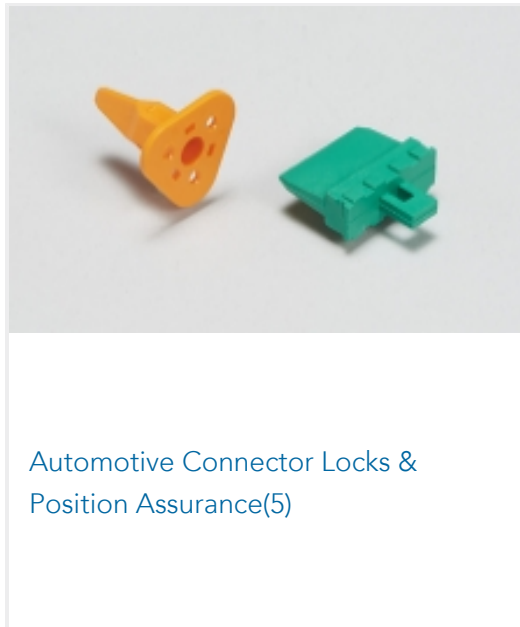
Product Compliance Disclaimer

This information is provided based on reasonable inquiry of our suppliers and represents our current actual knowledge based on the information they provided. This information is subject to change. The part numbers that TE has identified as EU RoHS compliant have a maximum concentration of 0.1% by weight in homogenous materials for lead, hexavalent chromium, mercury, PBB, PBDE, DBP, BBP, DEHP, DIBP, and 0.01% for cadmium, or qualify for an exemption to these limits as defined in the Annexes of Directive 2011/65/EU (RoHS2). Finished electrical and electronic equipment products will be CE marked as required by Directive 2011/65/EU. Components may not be CE marked. Additionally, the part numbers that TE has identified as EU ELV compliant have a maximum concentration of 0.1% by weight in homogenous materials for lead, hexavalent chromium, and mercury, and 0.01% for cadmium, or qualify for an exemption to these limits as defined in the Annexes of Directive 2000/53/EC (ELV). Regarding the REACH Regulation, the information TE provides on SVHC in articles for this part number is based on the latest European Chemicals Agency (ECHA) 'Guidance on requirements for substances in articles' posted at this URL: <https://echa.europa.eu/guidance-documents/guidance-on-reach>

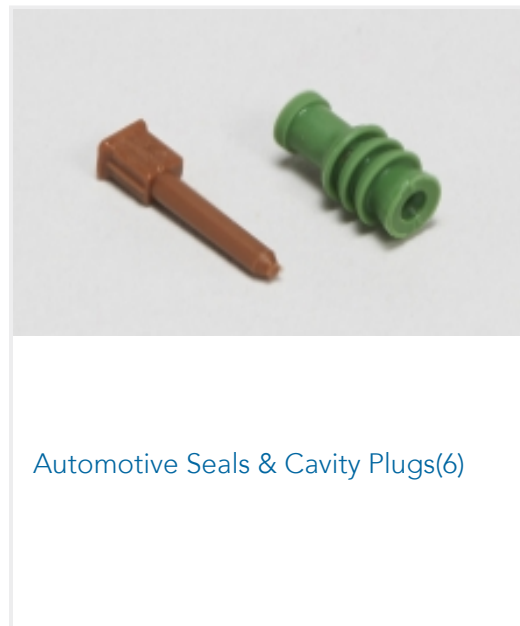
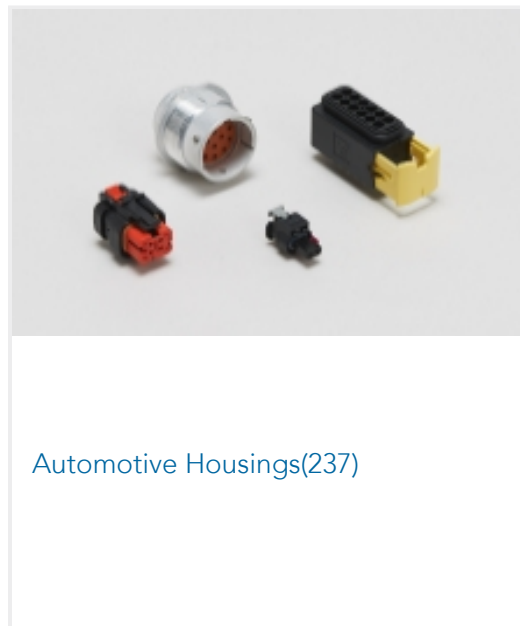
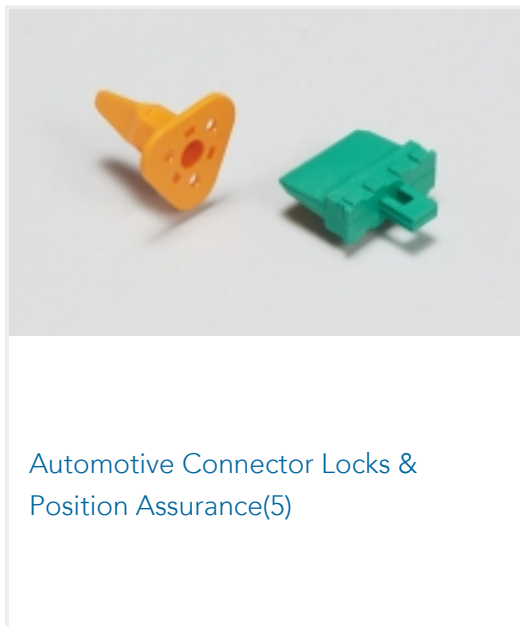
Compatible Parts

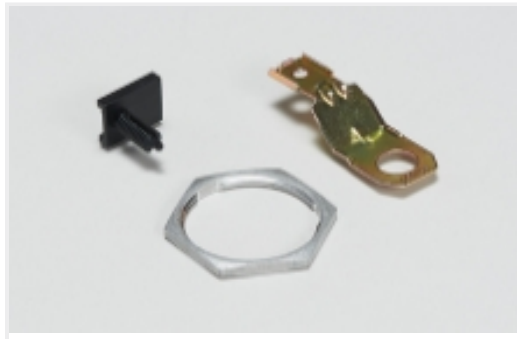


Also in the Series | AMP MCP 2.8



Also in the Series | AMP MCP Connector System





Other Automotive Connector Accessories(4)

Customers Also Bought



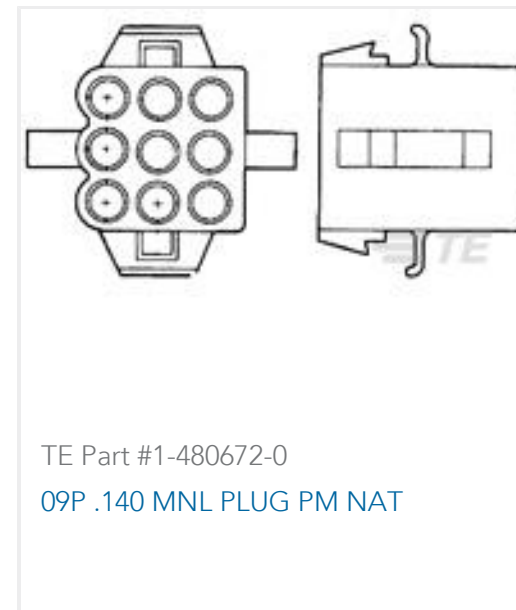
TE Part #HD14-9-16P
REC, 9P, GRY, N, 16



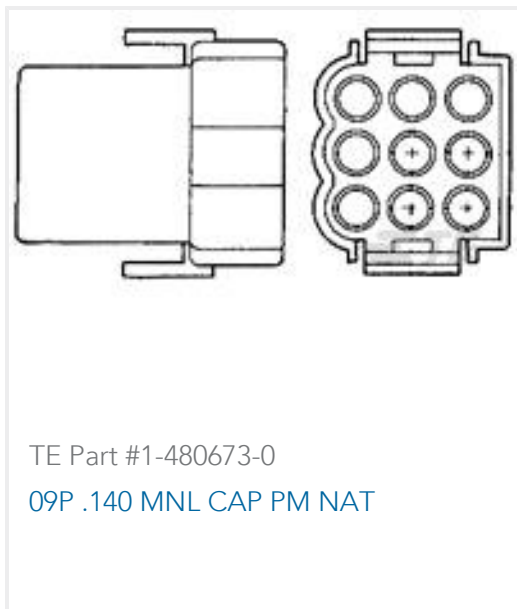
TE Part #CONSMA014
SMA Jack 50 Ohm Cable Crimp Panel Mount



TE Part #800094-SF
FN343-3-05



TE Part #1-480672-0
09P .140 MNL PLUG PM NAT



TE Part #1-480673-0
09P .140 MNL CAP PM NAT



TE Part #826951-6
6P MOD2 STIFT LEI



TE Part #1-967167-6
3POS MQS TAB SEALED COD A



TE Part #2-1393248-6
W33-S4B1Q-15=W33



TE Part #9-1393303-7
V23134J0053D642-EV-CBOX



TE Part #175206-1
040 MLC CRIMP TAB THIN INS

Documents

Product Drawings

[AMP MCP 2.8 HSG.WITH SEC.10POS](#)

English

CAD Files

[3D PDF](#)

3D

Customer View Model

[ENG_CVM_CVM_1418994-1_B_c-1418994-1-b.2d_dxf.zip](#)



English

Customer View Model

[ENG_CVM_CVM_1418994-1_B_c-1418994-1-b.3d_igs.zip](#)

English

Customer View Model

[ENG_CVM_CVM_1418994-1_B_c-1418994-1-b.3d_stp.zip](#)

English

By downloading the CAD file I accept and agree to the [Terms and Conditions](#) of use.

Product Specifications

HOUSINGS FOR AMP MCP2.8 CONTACT, UNSEALED

English

Application Specification

English