

1-2203769-1 ✓ ACTIVE

MCON | MCON 1.2mm

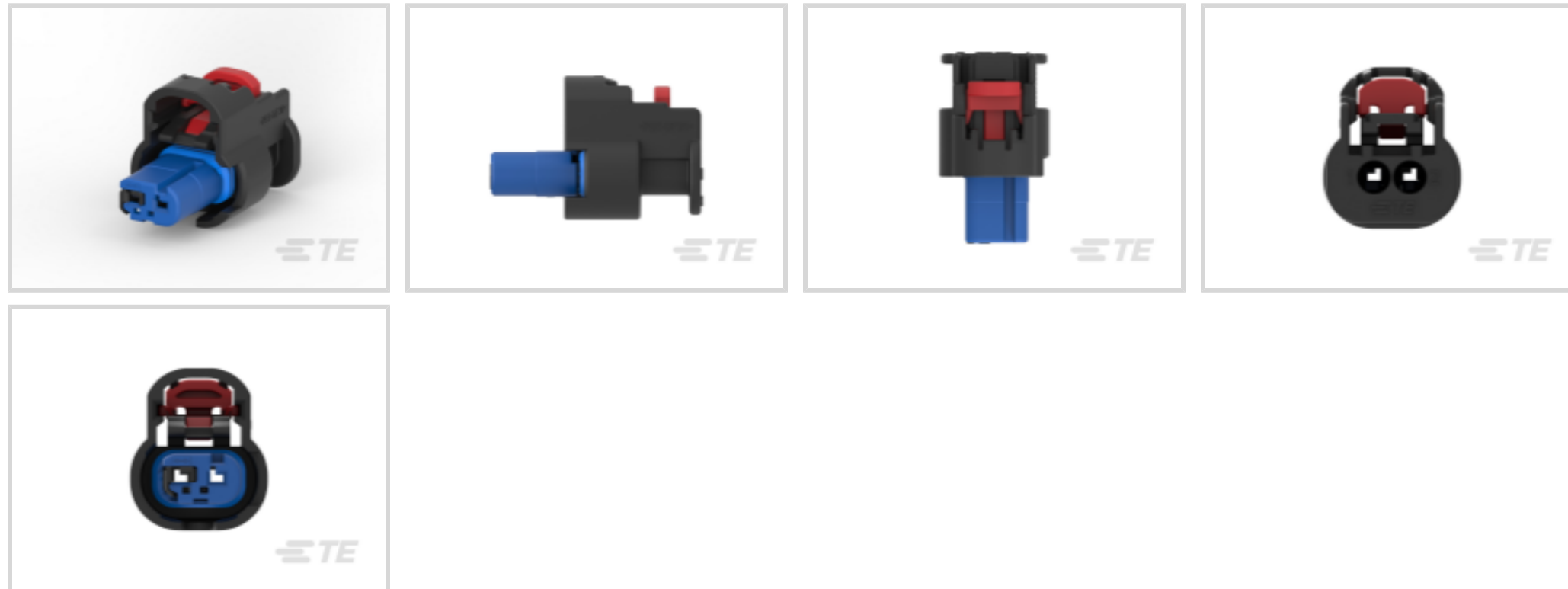
TE Internal #: 1-2203769-1

12 V / 24 V / 48 V, 2 Position, Automotive Housing for Female
Terminals, Wire-to-Wire, 4 mm [.16 in] Centerline, Sealable, Blue,
MCON 1.2mm

[View on TE.com >](#)



Automotive Parts > Automotive Connectors > Automotive Housings > 48V Ready 1.2mm Sealed Connectors



Nominal Voltage Architecture: 12 V, 24 V, 48 V

Connector & Housing Type: **Housing for Female Terminals**

Number of Positions: 2

Sealable: **Yes**

Operating Temperature Range: -40 – 150 °C [-40 – 302 °F]

[All 48V Ready 1.2mm Sealed Connectors \(145\)](#)

Features

Product Type Features

Mixed & Hybrid Connector	No
Connector Shape	Rectangular
Connector & Housing Type	Housing for Female Terminals
Sealable	Yes
Primary Locking Feature	Clean Body
Connector System	Wire-to-Wire
Connector & Contact Terminates To	Wire & Cable

Configuration Features

Number of Positions	2
Number of Rows	1

Electrical Characteristics

Nominal Voltage Architecture	12 V, 24 V, 48 V
------------------------------	------------------



Body Features

Cable Exit Angle	180 °
Primary Product Color	Blue
Connector & Keying Code	A

Contact Features

Contact Size	1.2mm
Contact Type	Receptacle
Mating Tab Width	1.2 mm[.05 in]

Mechanical Attachment

Strain Relief	Without
Terminal Position Assurance	No
Mating Alignment Type	Keyed
Mating Alignment	With
Connector Mounting Type	Cable Mount (Free-Hanging)

Housing Features

Housing Material	PBT GF15
Centerline (Pitch)	4 mm[.16 in]

Dimensions

Product Width	26.5 mm[1.04 in]
Product Length	15.4 mm[.61 in]
Connector Height	18.05 mm[.71 in]

Usage Conditions

Operating Temperature Range	-40 – 150 °C[-40 – 302 °F]
Operating Temperature (Max)	150 °C[302 °F]

Operation/Application

Circuit Application	Power
---------------------	-------

Packaging Features

Packaging Method	Box
Packaging Quantity	1500

Other

Connector Position Assurance Capable	Yes
--------------------------------------	-----

Product Compliance

[For compliance documentation, visit the product page on TE.com>](#)

EU RoHS Directive 2011/65/EU	Compliant
EU ELV Directive 2000/53/EC	Compliant
China RoHS 2 Directive MIIT Order No 32, 2016	有害物质含量符合标准要求 No Restricted Substance(s) Above Threshold
EU REACH Regulation (EC) No. 1907/2006	Current ECHA Candidate List: JUNE 2025 (250) Candidate List Declared Against: JUNE 2025 (250) Does not contain REACH SVHC
Halogen Content	Low Halogen - Br, Cl, F < 900 ppm per homogenous material. Also BFR/CFR/PVC Free
Solder Process Capability	Not reviewed for solder process capability

Product Compliance Disclaimer

This information is provided based on reasonable inquiry of our suppliers and represents our current actual knowledge based on the information they provided. This information is subject to change. The part numbers that TE has identified as EU RoHS compliant have a maximum concentration of 0.1% by weight in homogenous materials for lead, hexavalent chromium, mercury, PBB, PBDE, DBP, BBP, DEHP, DIBP, and 0.01% for cadmium, or qualify for an exemption to these limits as defined in the Annexes of Directive 2011/65/EU (RoHS2). Finished electrical and electronic equipment products will be CE marked as required by Directive 2011/65/EU. Components may not be CE marked. Additionally, the part numbers that TE has identified as EU ELV compliant have a maximum concentration of 0.1% by weight in homogenous materials for lead, hexavalent chromium, and mercury, and 0.01% for cadmium, or qualify for an exemption to these limits as defined in the Annexes of Directive 2000/53/EC (ELV). Regarding the REACH Regulation, the information TE provides on SVHC in articles for this part number is based on the latest European Chemicals Agency (ECHA) 'Guidance on requirements for substances in articles' posted at this URL: <https://echa.europa.eu/guidance-documents/guidance-on-reach>

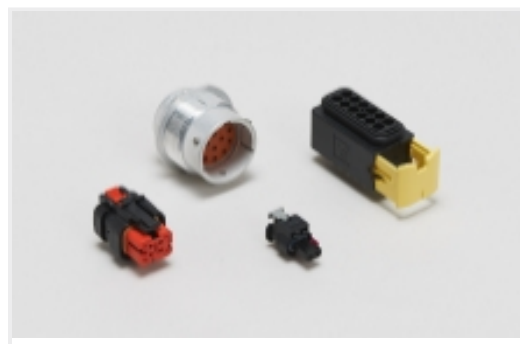
Compatible Parts



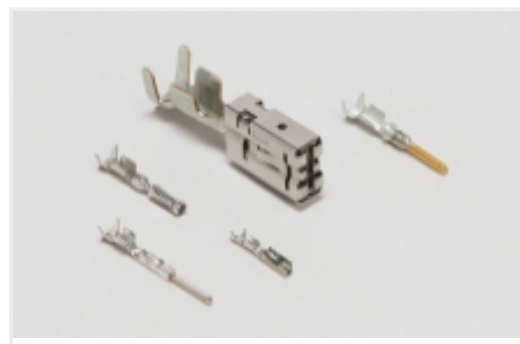
Also in the Series | [MCON 1.2mm](#)



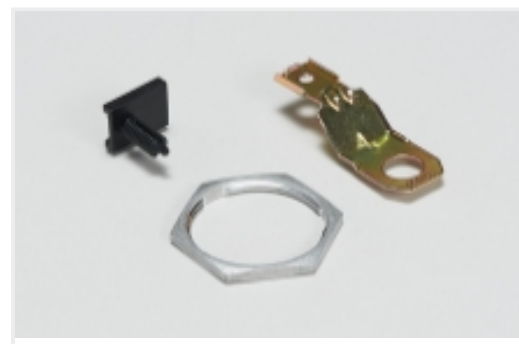
Automotive Connector Caps & Covers (15)



Automotive Housings(352)



Automotive Terminals(90)



Other Automotive Connector Accessories(12)

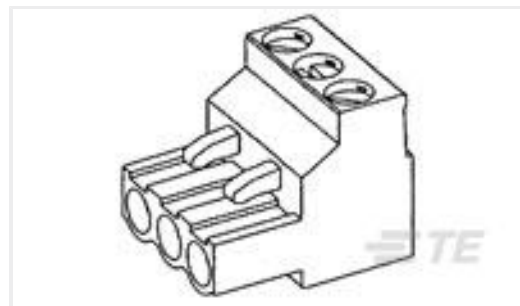
Customers Also Bought



TE Part #5672696010
TSAS-NR502-X-10MM



TE Part #121397P021
ES2000-NO.3-B8-0-30MM



TE Part #796640-5
5 POS 5.0 MM R/A PLUG, TRM BLK



TE Part #6-1879352-3
RR02 5% 120R AMMO



TE Part #7-1879352-0
RR02 5% 240R AMMO



TE Part #8-1879352-5
RR02 5% 1K0 AMMO



TE Part #CAT-N14-RC4812
48V Ready 1.2mm Sealed Connectors



TE Part #2350397-5
5 POS SPRING TB PLUG, PITCH 5.00

Documents

Product Drawings

2POS, MCON 1.2 CB REC 1p TL SEALED

English

CAD Files

3D PDF

3D

Customer View Model

[ENG_CVM_CVM_1-2203769-1_B.2d_dxf.zip](#)

English

Customer View Model

[ENG_CVM_CVM_1-2203769-1_B.3d_igs.zip](#)

English

Customer View Model

[ENG_CVM_CVM_1-2203769-1_B.3d_stp.zip](#)

English

By downloading the CAD file I accept and agree to the [Terms and Conditions](#) of use.



Instruction Sheets

Instruction Sheet (U.S.)

English