

1571634-2 ✓ ACTIVE

ALCOSWITCH

TE Internal #: 1571634-2

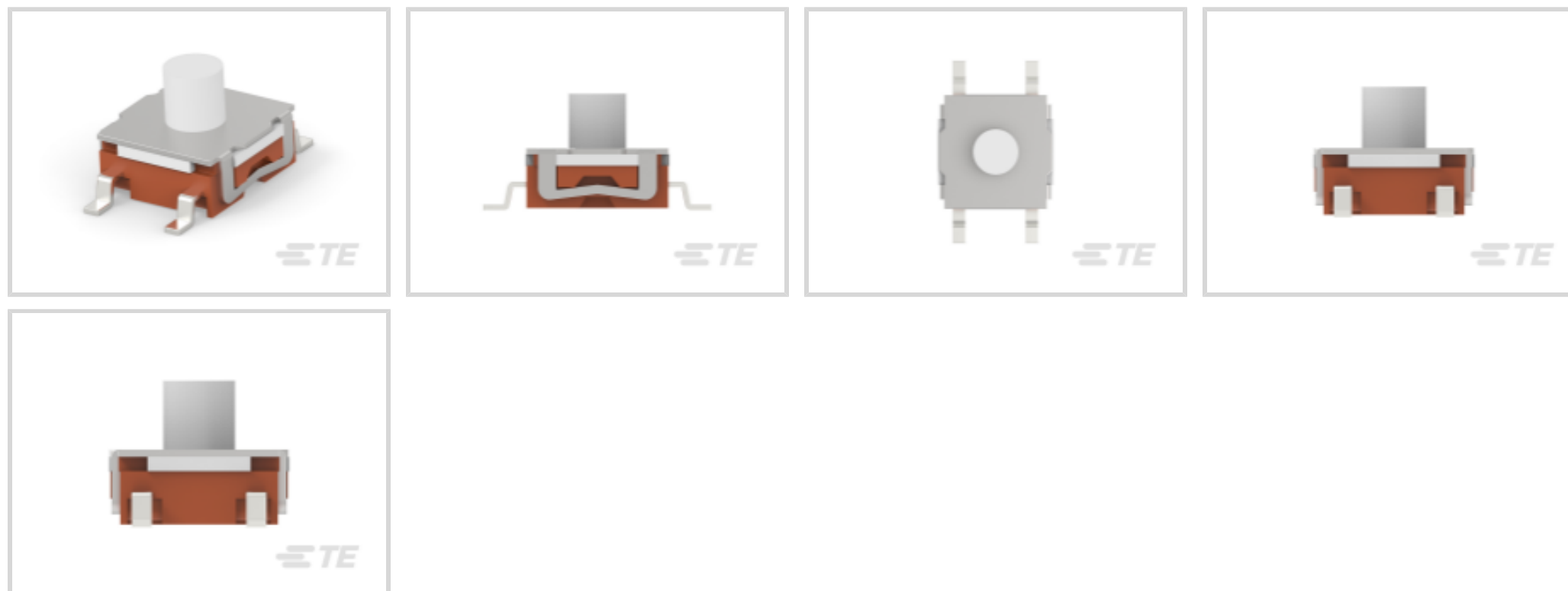
50 mA Tactile Switch, Round Actuator, NO, Stainless Steel, Silver

Contact Plating, Low Profile, 24 VDC

[View on TE.com >](#)



Switches > Tactile Switches



Actuator Style: **Round Actuator**

Operating Function: **NO**

Contact Base Material: **Stainless Steel**

Switch Contact Plating Material: **Silver**

Low Profile: **With**

Features

Product Type Features

Leg Style	Gull Wing
Switch Connection Type	Printed Circuit Board
Illuminated	With
Actuator Style	Round Actuator

Configuration Features

Switch Feedback Type	Tactile
ESD Grounding Terminal	Without
Ganged	With
Operating Function	NO
Support Bracket	Without
Configuration (Pole-Throw)	Single Pole - Single Throw
Number of Actuators	Single

Electrical Characteristics

Operating Voltage	24 VDC
-------------------	--------

Body Features

Case Material	PPS
Actuator Profile	Extended
Case Color	Brown
Actuator Material	Silicone Rubber
Cover Material	Stainless Steel
Actuator Force	160 g[5.64 oz]
Product Orientation	Vertical
Actuator Color	Natural

Contact Features

Contact Base Material	Stainless Steel
Switch Contact Plating Material	Silver
Contact Current Rating	50 mA

Termination Features

Termination Method to PCB	Surface Mount
---------------------------	---------------

Housing Features

Low Profile	With
Process Sealed	No

Dimensions

	.098 in
Product Height	5 mm[.196 in]
Actuator Length	2.4 mm[.094 in]

Usage Conditions

Operating Temperature Range	-35 – 85 °C[-31 – 185 °F]
-----------------------------	---------------------------

Packaging Features

Packaging Method	Tape & Reel
------------------	-------------

Product Compliance

[For compliance documentation, visit the product page on TE.com>](#)

EU RoHS Directive 2011/65/EU	Compliant
EU ELV Directive 2000/53/EC	Out of Scope
China RoHS 2 Directive MIIT Order No 32, 2016	有害物质含量符合标准要求 No Restricted



	Substance(s) Above Threshold
EU REACH Regulation (EC) No. 1907/2006	Current ECHA Candidate List: JUNE 2025 (250) Candidate List Declared Against: JUNE 2025 (250) Does not contain REACH SVHC
Halogen Content	Low Halogen - Br, Cl, F < 900 ppm per homogenous material. Also BFR/CFR/PVC Free
Solder Process Capability	Reflow solder capable to 260°C

Product Compliance Disclaimer

This information is provided based on reasonable inquiry of our suppliers and represents our current actual knowledge based on the information they provided. This information is subject to change. The part numbers that TE has identified as EU RoHS compliant have a maximum concentration of 0.1% by weight in homogenous materials for lead, hexavalent chromium, mercury, PBB, PBDE, DBP, BBP, DEHP, DIBP, and 0.01% for cadmium, or qualify for an exemption to these limits as defined in the Annexes of Directive 2011/65/EU (RoHS2). Finished electrical and electronic equipment products will be CE marked as required by Directive 2011/65/EU. Components may not be CE marked. Additionally, the part numbers that TE has identified as EU ELV compliant have a maximum concentration of 0.1% by weight in homogenous materials for lead, hexavalent chromium, and mercury, and 0.01% for cadmium, or qualify for an exemption to these limits as defined in the Annexes of Directive 2000/53/EC (ELV). Regarding the REACH Regulation, the information TE provides on SVHC in articles for this part number is based on the latest European Chemicals Agency (ECHA) 'Guidance on requirements for substances in articles' posted at this URL: <https://echa.europa.eu/guidance-documents/guidance-on-reach>

Compatible Parts



TE Part # 2-1825910-7
FSM14JH=6MM TACT SWITCH, HIGH TEMP



TE Part # 3-1437565-0
FSM2JSMATR=ON T/R



TE Part # 4-1437565-2
FSM4JSMATR=TACT SWITCH 6X6MIL



TE Part # 1825910-6
FSM4JH=6MM TACT SWITCH, HIGH TEMP

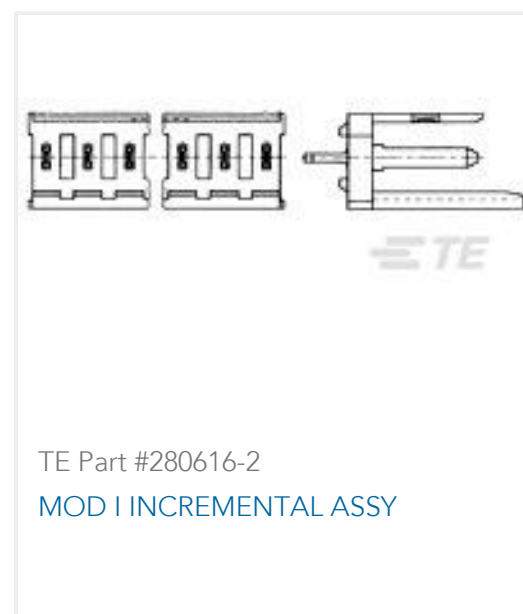


TE Part # 2-1977223-8
FSM14JSMAS=6MM TACT SWITCH, SMT 160gf

Customers Also Bought



TE Part #816518-SF
RN122-4-02-3M3



TE Part #280616-2
MOD I INCREMENTAL ASSY



TE Part #826469-3
2X3P MOD II SHROUDED HEADER, ST



TE Part #5-827730-0
50P MOD 2 STIFT LEI



TE Part #1721260-6
OJ-SS-124LMH2



TE Part #4-1879022-1
SMF3 15K 5%



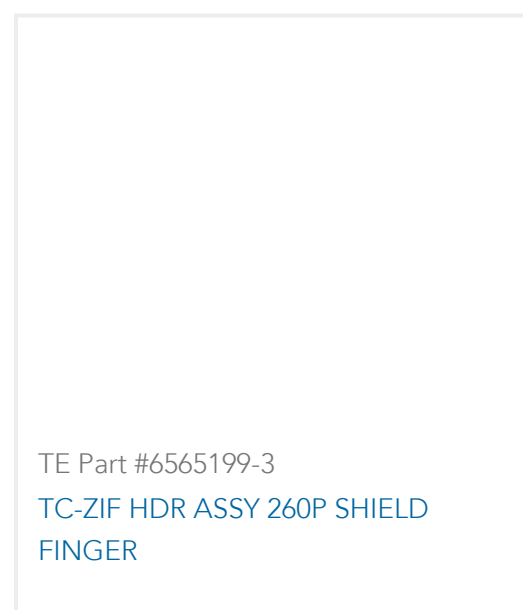
TE Part #1879337-1
CPF 0603 2K49 1% 50PPM 1K RL



TE Part #2154829-1
High Power Inverted Thru Board Con 2
Pos



TE Part #2834171-3
ULTRAMINIATURE SLIM CONTACT



TE Part #6565199-3
TC-ZIF HDR ASSY 260P SHIELD
FINGER

Documents

Product Drawings

TACT,SMT,SOFT ACTUATOR,T&R

English

CAD Files

3D PDF

3D

Customer View Model

[ENG_CVM_CVM_1571634-2_F.2d_dxf.zip](#)

English

Customer View Model

[ENG_CVM_CVM_1571634-2_F.3d_igs.zip](#)

English

Customer View Model

[ENG_CVM_CVM_1571634-2_F.3d_stp.zip](#)

English

By downloading the CAD file I accept and agree to the [Terms and Conditions](#) of use.

Datasheets & Catalog Pages

1571634-2

50 mA Tactile Switch, Round Actuator, NO, Stainless Steel, Silver Contact Plating,
Low Profile, 24 VDC



Tactile Switches

English

[8-1773450-9_SWITCHES_CATALOG_SECTION_C_TACTILE_SWITCHES](#)

English