

# AVC19MS16FE0DT5A04 ✓ ACTIVE

ALCOSWITCH | ALCOSWITCH AVC19

TE Internal #: 2342834-9

Anti-Vandal Switch, Single Pole - Single Throw Configuration (Pole-Throw), Single Actuator, Flush Actuator, Illuminated, ALCOSWITCH AVC19

[View on TE.com >](#)



Switches > Push Button Switches



Configuration (Pole-Throw): **Single Pole - Single Throw**

Push Button Switch Product Type: **Anti-Vandal Switch**

Number of Actuators: **Single**

Actuator Profile: **Flush**

Bushing Style: **Threaded**

## Features

### Product Type Features

Switch Connection Type	Long Leads
Push Button Switch Product Type	Anti-Vandal Switch
Illuminated	With
Actuator Style	Round Actuator

### Configuration Features

Panel Cutout Size	19.2 (Diameter) mm [.76 (Diameter) in]
Configuration (Pole-Throw)	Single Pole - Single Throw
Number of Actuators	Single
Switch Feedback Type	Non-Tactile
Operating Function	1 Pole, NO, Momentary

### Electrical Characteristics

Contact Current Rating	1 A
Operating Voltage Range	5 – 24 VDC

### Body Features

Case Material	Stainless Steel
Sealing Method	Epoxy
Actuator Material	Steel
Product Orientation	Vertical
Actuator Force	0 g[0 oz]
Actuator Profile	Flush
Bushing Style	Threaded
Bushing Thread Size	M19 x 1
Actuator Color	Silver

### Mechanical Attachment

Attachment Method	Screw-On
-------------------	----------

### Housing Features

Low Profile	Yes
-------------	-----

### Dimensions

Bushing Length	15 mm[.59 in]
Bushing Diameter	19 mm[.75 in]

### Usage Conditions

Operating Temperature Range	-20 – 65 °C[-4 – 149 °F]
-----------------------------	--------------------------

### Industry Standards

IP Rating	IP68
-----------	------

### Packaging Features

Packaging Method	Loose Piece
------------------	-------------

## Product Compliance

[For compliance documentation, visit the product page on TE.com>](#)

EU RoHS Directive 2011/65/EU	Compliant with Exemptions
EU ELV Directive 2000/53/EC	Compliant with Exemptions
China RoHS 2 Directive MIIT Order No 32, 2016	有害物质含量超出标准 Restricted Substance(s) Above Threshold
EU REACH Regulation (EC) No. 1907/2006	Current ECHA Candidate List: JUNE 2025 (250) Candidate List Declared Against: JAN 2025 (247) SVHC > Threshold:



Pb (4% in Component Part)

Article Safe Usage Statements:

Do not eat, drink or smoke when using this product. Wash thoroughly after handling. Recycle if possible and dispose of the article by following all applicable governmental regulations relevant to your geographic location.

Halogen Content

Low Halogen - Br, Cl, F < 900 ppm per homogenous material. Also BFR/CFR/PVC Free

Solder Process Capability

Not reviewed for solder process capability

Product Compliance Disclaimer

This information is provided based on reasonable inquiry of our suppliers and represents our current actual knowledge based on the information they provided. This information is subject to change. The part numbers that TE has identified as EU RoHS compliant have a maximum concentration of 0.1% by weight in homogenous materials for lead, hexavalent chromium, mercury, PBB, PBDE, DBP, BBP, DEHP, DIBP, and 0.01% for cadmium, or qualify for an exemption to these limits as defined in the Annexes of Directive 2011/65/EU (RoHS2). Finished electrical and electronic equipment products will be CE marked as required by Directive 2011/65/EU. Components may not be CE marked. Additionally, the part numbers that TE has identified as EU ELV compliant have a maximum concentration of 0.1% by weight in homogenous materials for lead, hexavalent chromium, and mercury, and 0.01% for cadmium, or qualify for an exemption to these limits as defined in the Annexes of Directive 2000/53/EC (ELV). Regarding the REACH Regulation, the information TE provides on SVHC in articles for this part number is based on the latest European Chemicals Agency (ECHA) 'Guidance on requirements for substances in articles' posted at this URL: <https://echa.europa.eu/guidance-documents/guidance-on-reach>

## Compatible Parts



TE Part # 2213767-3  
AV19 SPM 3A MOVE RING LED  
WHITE 24V



TE Part # 2213763-1  
AV19 SPM 3A NO LED



TE Part # 2213763-5  
AV19 DPM 3A NO LED

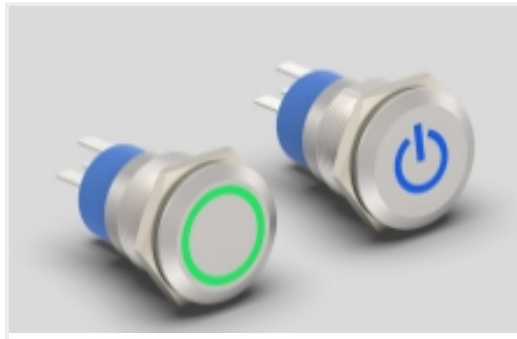


TE Part # 3-2213766-7  
AV19 SPL 3A POWER LED BLUE 12V



TE Part # 2213763-7  
AV19 DPL 3A NO LED

## Also in the Series | ALCOSWITCH AVC19



Anti-Vandal Switches(18)



Push Button Switches(18)

## Customers Also Bought



TE Part #224395-E  
SRCP 1,27 6 F 1 I2426 137 \* 162 1,07 TRA



TE Part #60196-2  
187 FASTON REC 20-16 AWG TPBR



TE Part #2-1393030-0  
SSRT-240A25 = PANEL MOUNT,25A, 240VAC



TE Part #3-1393117-0  
KUP-11A55-24=KU



TE Part #5-1393122-7  
KHAU-17D12-24=KH



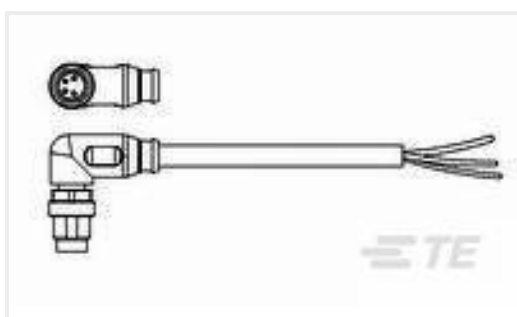
TE Part #1393143-6  
27E122=SOCKET,KRP,8,SCW,SURF-MOUNT



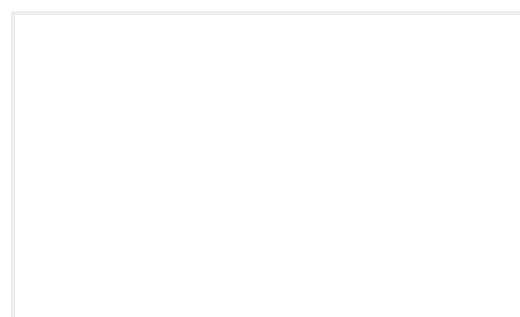
TE Part #1577616-1  
TERMINAL, PEEK PIDG STRATO, 24-22AWG



TE Part #3-2176339-7  
CRGCO 0603 10K 1%



TE Part #1-2273010-3  
M8 x 1.0 Angled plug Pigtail



TE Part #73560016-000  
JL R30D-3993

## Documents

### Product Drawings

[AVC19M FLAT S16 RGB R 500MM/1X6](#)

English

### CAD Files

[3D PDF](#)

3D

### Customer View Model

[ENG\\_CVM\\_CVM\\_2342834-9\\_A.2d\\_dxf.zip](#)



English

**Customer View Model**

[ENG\\_CVM\\_CVM\\_2342834-9\\_A.3d\\_igs.zip](#)

English

**Customer View Model**

[ENG\\_CVM\\_CVM\\_2342834-9\\_A.3d\\_stp.zip](#)

English

By downloading the CAD file I accept and agree to the [Terms and Conditions](#) of use.

## Datasheets & Catalog Pages

[AVC Series - Anti-Vandal Illuminated Capacitive Switches](#)

English