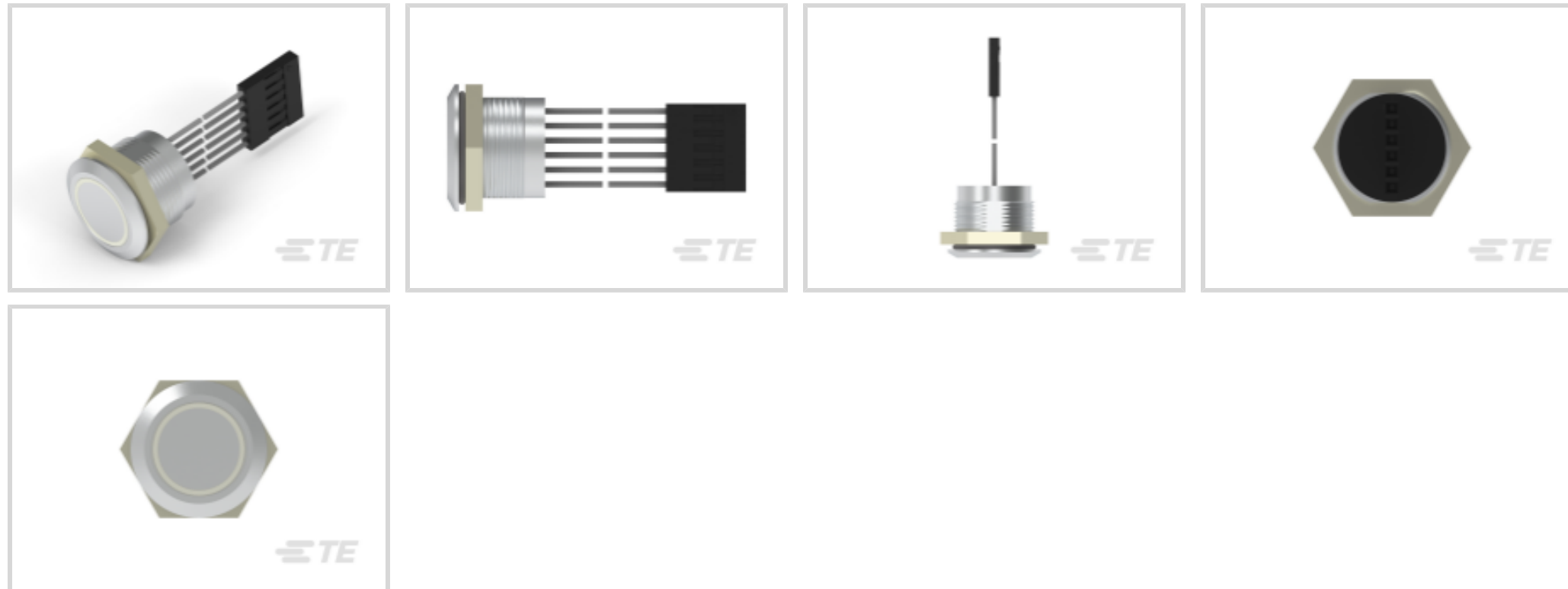




Switches > Push Button Switches



Configuration (Pole-Throw): **Single Pole - Single Throw**

Push Button Switch Product Type: **Anti-Vandal Switch**

Number of Actuators: **Single**

Actuator Profile: **Flush**

Bushing Style: **Threaded**

Features

Product Type Features

Switch Connection Type	Long Leads
Push Button Switch Product Type	Anti-Vandal Switch
Illuminated	With
Actuator Style	Round Actuator

Configuration Features

Panel Cutout Size	19.2 (Diameter) mm [.76 (Diameter) in]
Configuration (Pole-Throw)	Single Pole - Single Throw
Number of Actuators	Single
Switch Feedback Type	Non-Tactile
Operating Function	1 Pole, NO, Momentary

Electrical Characteristics

Contact Current Rating	1 A
Operating Voltage Range	5 – 24 VDC

Body Features



Case Material	Aluminum
Sealing Method	Epoxy
Actuator Material	Aluminum
Product Orientation	Vertical
Actuator Force	0 g[0 oz]
Actuator Profile	Flush
Bushing Style	Threaded
Bushing Thread Size	M19 x 1
Actuator Color	Silver

Mechanical Attachment

Attachment Method	Screw-On
-------------------	----------

Housing Features

Low Profile	Yes
-------------	-----

Dimensions

Bushing Length	15 mm[.59 in]
Bushing Diameter	19 mm[.75 in]

Usage Conditions

Operating Temperature Range	-20 – 65 °C[-4 – 149 °F]
-----------------------------	--------------------------

Industry Standards

IP Rating	IP68
-----------	------

Packaging Features

Packaging Method	Loose Piece
------------------	-------------

Product Compliance

[For compliance documentation, visit the product page on TE.com>](#)

EU RoHS Directive 2011/65/EU	Compliant with Exemptions
EU ELV Directive 2000/53/EC	Compliant with Exemptions
China RoHS 2 Directive MIIT Order No 32, 2016	有害物质含量超出标准 Restricted Substance(s) Above Threshold
EU REACH Regulation (EC) No. 1907/2006	Current ECHA Candidate List: JUNE 2025 (250) Candidate List Declared Against: JUNE 2022 (224) Does not contain REACH SVHC



Halogen Content	Low Halogen - Br, Cl, F < 900 ppm per homogenous material. Also BFR/CFR/PVC Free
-----------------	--

Solder Process Capability	Not reviewed for solder process capability
---------------------------	--

Product Compliance Disclaimer

This information is provided based on reasonable inquiry of our suppliers and represents our current actual knowledge based on the information they provided. This information is subject to change. The part numbers that TE has identified as EU RoHS compliant have a maximum concentration of 0.1% by weight in homogenous materials for lead, hexavalent chromium, mercury, PBB, PBDE, DBP, BBP, DEHP, DIBP, and 0.01% for cadmium, or qualify for an exemption to these limits as defined in the Annexes of Directive 2011/65/EU (RoHS2). Finished electrical and electronic equipment products will be CE marked as required by Directive 2011/65/EU. Components may not be CE marked. Additionally, the part numbers that TE has identified as EU ELV compliant have a maximum concentration of 0.1% by weight in homogenous materials for lead, hexavalent chromium, and mercury, and 0.01% for cadmium, or qualify for an exemption to these limits as defined in the Annexes of Directive 2000/53/EC (ELV). Regarding the REACH Regulation, the information TE provides on SVHC in articles for this part number is based on the latest European Chemicals Agency (ECHA) 'Guidance on requirements for substances in articles' posted at this URL: <https://echa.europa.eu/guidance-documents/guidance-on-reach>

Compatible Parts



TE Part # 2213767-3
AV19 SPM 3A MOVE RING LED
WHITE 24V



TE Part # 2213763-1
AV19 SPM 3A NO LED



TE Part # 2213763-5
AV19 DPM 3A NO LED

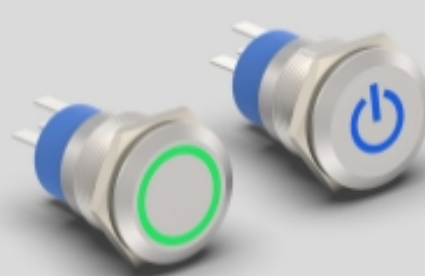


TE Part # 3-2213766-7
AV19 SPL 3A POWER LED BLUE 12V




TE Part # 2213763-7
AV19 DPL 3A NO LED

Also in the Series | ALCOSWITCH AVC19



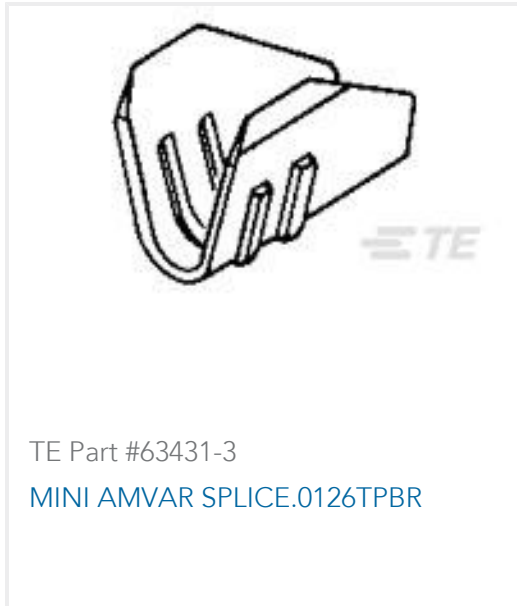
Anti-Vandal Switches(18)



Push Button Switches(18)



Customers Also Bought



Documents

Product Drawings

[AVC19M FLAT AIO RGB R 500MM/1X6](#)

English

CAD Files

[3D PDF](#)

3D

Customer View Model

[ENG_CVM_CVM_2342834-7_A.2d_dxf.zip](#)

English

Customer View Model

[ENG_CVM_CVM_2342834-7_A.3d_igs.zip](#)

English

Customer View Model

[ENG_CVM_CVM_2342834-7_A.3d_stp.zip](#)

English

By downloading the CAD file I accept and agree to the [Terms and Conditions](#) of use.

Datasheets & Catalog Pages

[AVC Series - Anti-Vandal Illuminated Capacitive Switches](#)

English