

NT SERIES

005429

Issue 7

MICRO SWITCH Commercial-Grade Toggle Switches



DESCRIPTION

MICRO SWITCH NT Series toggle switches meet the need for a rugged, cost-effective toggle switch. Quality construction features include a seal between the toggle lever and bushing and between the cover and case. These switches are suitable for applications in many demanding outdoor environments, where the panels are subjected to vibration from equipment, temperature extremes, dust, splashing water and/or hose directed water.

They are capable of withstanding exposure to heavy accumulations of early morning dew that may condense on the control panel in cabs of vehicles left outdoors overnight. The NT toggle switches with larger standard metal or plastic levers are well suited for gloved-hand operation.

Available in both step-base and flat-base styles, the NT Series offers three popular styles of termination: 6-32 screws, solder lugs with 3,0 mm [0.12 in] diameter hole, or 6,35 mm [0.25 in] quick connect terminals.

The optional "Easy Start" threaded bushing enables quick alignment of the mounting nut to minimize any cross threading. The panel stand-off with O-ring feature available on some listings eliminates the need for behind-the-panel hardware, provides a uniform panel height and a panel-to-cover seal.

FEATURES

- Sealed to NEMA 3, 3R, 4, 13 and IP67/IP68 for global use
- Suitable for applications in many demanding outdoor environments, where the panels are subjected to vibration from equipment, temperature extremes, dust, splashing water, and/or hose directed water
- UL recognized, File E12252, Vol. 1, Section 44, CSA certified, UKCA and CE certified for global use
- Spring-loaded actuating mechanism provides excellent tactile feedback
- Optional flat base case design with a quick connect terminal pattern mates to a commercial-type connector for plug-and-play connectivity
- 2- and 3-position, maintained and momentary toggle action
- Delivers high performance in a wide range of temperatures: -40°C to 71°C [-40°F to 160°F]
- Choice of silver alloy or gold-plated contacts
- Optional engineered step-design case provides added space between terminals to prevent shorting
- Optional panel stand-off with O-ring panel seal eliminates behind-the-panel hardware

DIFFERENTIATION

- NEMA 3, 3R, 4, 13 and IP67/68 environmental sealing for demanding applications
- UL recognized, CSA certified, UKCA and CE certified for global use
- 1-, 2- and 4-pole options to meet a variety of circuitry requirements
- 2- or 3-position maintained and momentary action to meet circuit and actuator requirements
- Optional step-case design provides added space between terminals to prevent shorting

APPLICATIONS

- Aerial platform lifts
- Platform lifts for trucks
- Industrial equipment
- Railroad locomotives and maintenance equipment
- Construction equipment
- Agricultural machinery
- Syringes (end of travel)

PORTFOLIO

The MICRO SWITCH NT joins Honeywell's Toggle Switch Series offering a variety of electrical, position and load choices, with options for MIL qualifications, momentary and/or maintained action and poles. To view the entire product portfolio, [click here](#).

Honeywell

MICRO SWITCH COMMERCIAL-GRADE TOGGLE SWITCHES NT SERIES

TABLE 1. SPECIFICATIONS

CHARACTERISTIC	PARAMETER
Description	Commercial-grade toggle switch (step base and flat base options)
Sealing	IP67/IP68; NEMA 3, 3R, 4 and 13
Operating temperature	-40°C to 71°C [-40°F to 160°F]
Actuators	Standard, locking, special design, tab
Action	2- or 3- position; momentary and maintained
Mounting	Bushing 15/32 in (0.47 in) Ø
Circuitry	SPST, SPDT, DPST, DPDT, 4PST, 4PDT
Terminations	Screw, solder, quick connect
Contacts	Silver alloy, gold plated
Amp Rating	Up to 20 A (resistive)
Approvals	UL, CSA, CE, UKCA
Measurement	26,7 mm H x 33,5 mm W x 22,6 mm D [1.05 in H x 1.32 in W x 0.89 in D]

TABLE 2. UL AND CSA ELECTRICAL RATINGS

Rating Code	Electrical Rating
L192	10 amps, 125, 250, 277 Vac; 1/4 Hp, 125 Vac; 1/2 Hp, 250, 277 Vac; 3 amps, 125 Vac “L”
L192	15 amps, 125, 250, 277 Vac; 1/2 Hp, 125 Vac; 1 Hp, 250, 277 Vac; 5 amps, 125 Vac “L”

TABLE 3. ELECTRICAL RATINGS (IN AMPERES)

Electrical Rating Code	28 Vdc			115 Vdc	250 Vdc	115 Vac, 60 Hz & 400 Hz max.			230 Vac
	Ind.	Res.	Lamp	Res.	Res.	Ind.	Res.	Lamp	Res.
1	12	20	5	0.75	0.5	10	15	3	6
2	10	15	4	0.75	0.5	7	15	2	6
3	15	20	7	0.75	0.5	15	15	4	6
4	10	18	5	0.75	0.5	8	11	2	6
5	12	20	5	0.75	0.5	15	15	4	6
6	10	18	4	0.75	0.5	8	11	2	6

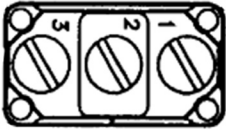
MICRO SWITCH COMMERCIAL-GRADE TOGGLE SWITCHES NT SERIES

TERMINAL CIRCUIT IDENTIFICATION

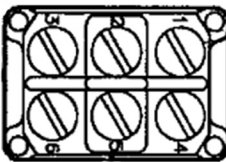
Terminal identifications are referred to in the order guides to indicate which circuits are made in each toggle position (i.e., 1-2 refers to circuit closure through terminals 1 and 2).

NOTE: Keyside is on #3 terminal side.

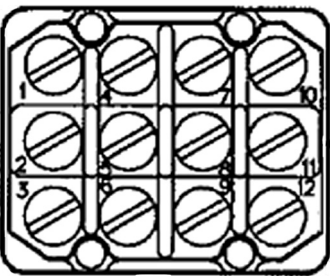
Step Base - One Pole



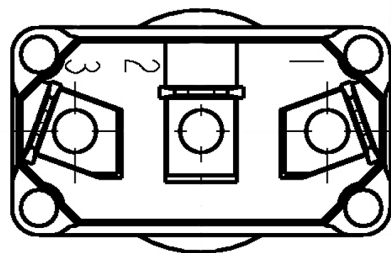
Step Base - Two Pole



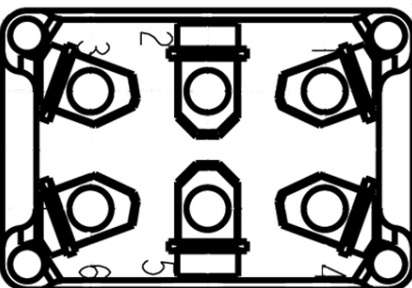
Step Base - Four Pole



Flat Base - One Pole



Flat Base - Two Pole



SPECIAL CIRCUITRIES

Catalog listings with -10, -50 and -70 suffix numbers, as shown in the order guides, have special “on-on-on” circuits, as illustrated below. NTs with -12 suffix are the same as -50 except the keyway position is maintained and the center position circuits 2-3 and 4-5 are made.

-10 CIRCUITRY			
NO OF POLES	KEYWAY SIDE MAINT. POSITION	CENTER MAINT. POSITION	OPPOSITE KEYWAY MAINT. POSITION
2			
4			

-50 CIRCUITRY			
NO OF POLES	KEYWAY SIDE MAINT. POSITION	CENTER MAINT. POSITION	OPPOSITE KEYWAY MAINT. POSITION
2			
4			

-70 CIRCUITRY			
NO OF POLES	KEYWAY SIDE MAINT. POSITION	CENTER MAINT. POSITION	OPPOSITE KEYWAY MAINT. POSITION
2			
4			

MICRO SWITCH COMMERCIAL-GRADE TOGGLE SWITCHES NT SERIES

TABLE 4. NT (STEP BASE) 2-POSITION ORDER GUIDE

NO. OF POLES	CIRCUITS MADE WITH TOGGLE AT:			CATALOG LISTING (STANDARD LEVER)			PULL-TO-UNLOCK LEVER (ADD SUFFIX TO STANDARD LEVER LISTING)**	
	KEYWAY POSITION	OPPOSITE KEYWAY	UL RATING CODE	ELECT. RATING CODE	SCREW	SOLDER		QUICK CONNECT
1	OFF	2-3	L191	1	1NT1-2	11NT1-2	1NT91-2	D, F, G
	1-2	2-3	L191	1	1NT1-3	11NT1-3	1NT91-3	D, F, G
	OFF*	2-3	L192	2	1NT1-4	11NT1-4	1NT91-4	F
	1-2*	OFF	L192	2	1NT1-6	11NT1-6	1NT91-6	F
	1-2*	2-3	L192	2	1NT1-8	11NT1-8	1NT91-8	F
2	OFF	2-3, 5-6	L191	3	2NT1-2	12NT1-2	2NT91-2	D, F, G
	1-2, 4-5	2-3, 5-6	L191	3	2NT1-3	12NT1-3	2NT91-3	F
	OFF*	2-3, 5-6	L192	4	2NT1-4	12NT1-4	2NT91-4	F
	1-2, 4-5*	OFF	L192	4	2NT1-6	12NT1-6	2NT91-6	D, F, G
	1-2, 4-5*	2-3, 5-6	L192	4	2NT1-8	12NT1-8	2NT91-8	F
4	OFF	2-3, 5-6, 8-9, 11-12	L191	5	4NT1-2	14NT1-2	4NT91-2	D, F, G
	1-2, 4-5, 7-8, 10-11	2-3, 5-6, 8-9, 11-12	L191	5	4NT1-3	14NT1-3	4NT91-3	F
	OFF*	2-3, 5-6, 8-9, 11-12	L192	6	4NT1-4	14NT1-4	4NT91-4	F
	1-2, 4-5, 7-8, 10-11*	OFF	L192	6	4NT1-6	14NT1-6	4NT91-6	D, F, G
	1-2, 4-5, 7-8, 10-11*	2-3, 5-6, 8-9, 11-12	L192	6	4NT1-8	14NT1-8	4NT91-8	F

* These positions are momentary. All others are maintained.

** See page 17 for locking configurations.

TABLE 5. NT (STEP BASE) 2-POSITION ORDER GUIDE • PANEL STAND-OFF FEATURE

NO. OF POLES	CIRCUITS MADE WITH TOGGLE AT:			CATALOG LISTING (STANDARD LEVER)	
	KEYWAY POSITION	OPPOSITE KEYWAY	UL RATING CODE	ELECT. RATING CODE	SCREW TERMINALS
1	OFF	2-3	L191	1	61NT1-2
	1-2	2-3	L191	1	61NT1-3
	1-2*	OFF	L192	2	61NT1-6
	1-2*	2-3	L192	2	61NT1-8
2	OFF	2-3, 5-6	L191	3	62NT1-2
	1-2, 4-5	2-3, 5-6	L191	3	62NT1-3
	1-2, 4-5*	OFF	L192	4	62NT1-6
	1-2, 4-5*	2-3, 5-6	L192	4	62NT1-8

* These positions are momentary. All others are maintained.

TABLE 6. NT (STEP BASE) 3-POSITION ORDER GUIDE • PANEL STAND-OFF FEATURE

NO. OF POLES	CIRCUITS MADE WITH TOGGLE AT:			CATALOG LISTING (STANDARD LEVER)		
	KEYWAY POSITION	CENTER POSITION	OPPOSITE KEYWAY	UL RATING CODE	ELECT. RATING CODE	SCREW TERMINALS
1	1-2	OFF	2-3	L191	1	61NT1-1
	1-2*	OFF	2-3*	L192	2	61NT1-7
2	1-2, 4-5	OFF	2-3, 5-6	L191	3	62NT1-1
	1-2, 4-5*	OFF	2-3, 5-6*	L192	4	62NT1-7

* These positions are momentary. All others are maintained.

MICRO SWITCH COMMERCIAL-GRADE TOGGLE SWITCHES NT SERIES

TABLE 7. NT (STEP BASE) 3-POSITION ORDER GUIDE

NO. OF POLES	CIRCUITS MADE WITH TOGGLE AT:				CATALOG LISTING (STANDARD LEVER)			PULL-TO-UNLOCK LEVER (ADD SUFFIX TO STANDARD LEVER LISTING)***	
	KEYWAY POSITION	CENTER KEYWAY	OPPOSITE KEYWAY	UL RATING CODE	ELECT. RATING CODE	SCREW	SOLDER		QUICK CONNECT
1	1-2	OFF	2-3	L191	1	1NT1-1	11NT1-1	1NT91-1	ALL TYPES
	1-2*	OFF	2-3	L192	2	1NT1-5	11NT1-5	1NT91-5	E, F, K, L, M, N
	1-2*	OFF	2-3*	L192	2	1NT1-7	11NT1-7	1NT91-7	E, L, N
	NONE**	OFF	2-3	L191	1	1NT1-21	11NT1-21	1NT91-21	E, F, K, M
	NONE**	1-2	2-3	L191	1	1NT1-31	11NT1-31	1NT91-31	E, F, K, M
	NONE**	1-2	2-3*	L192	2	1NT1-51	11NT1-51	1NT91-51	E
	1-2*	OFF	NONE**	L192	2	1NT1-61	11NT1-61	1NT91-61	E
2	1-2, 4-5	OFF	2-3, 5-6	L191	3	2NT1-1	12NT1-1	2NT91-1	ALL TYPES
	1-2, 4-5*	OFF	2-3, 5-6	L192	4	2NT1-5	12NT1-5	2NT91-5	E, F, K, L, M, N
	1-2, 4-5*	OFF	2-3, 5-6*	L192	4	2NT1-7	12NT1-7	2NT91-7	E, L, N
	NONE*	OFF	2-3, 5-6	L191	3	2NT1-21	12NT1-21	2NT91-21	E, F, K, M
	NONE**	1-2, 4-5	2-3, 5-6	L191	3	2NT1-31	12NT1-31	2NT91-31	E, F, K, M
	NONE**	1-2, 4-5	2-3, 5-6*	L192	4	2NT1-51	12NT1-51	2NT91-51	E
	1-2, 4-5*	OFF	NONE**	L192	4	2NT1-61	12NT1-61	2NT91-61	E
	1-2, 4-5	2-3, 4-5	2-3, 5-6	L191	3	2NT1-12	12NT1-12	2NT91-12	ALL TYPES
	1-2, 4-5	1-2, 5-6	2-3, 5-6	L191	3	2NT1-10	12NT1-10	2NT91-10	ALL TYPES
	1-2, 4-5*	1-2, 5-6	2-3, 5-6	L192	4	2NT1-50	12NT1-50	2NT91-50	E, F, K, L, M, N
	1-2, 4-5*	1-2, 5-6	2-3, 5-6*	L192	4	2NT1-70	12NT1-70	2NT91-70	E, L, N
4	1-2, 4-5, 7-8, 10-11	OFF	2-3, 5-6, 8-9, 11-12	L191	5	4NT1-1	14NT1-1	4NT91-1	ALL TYPES
	1-2, 4-5, 7-8, 10-11*	OFF	2-3, 5-6, 8-9, 11-12	L192	6	4NT1-5	14NT1-5	4NT91-5	E, F, K, L, M, N
	1-2, 4-5, 7-8, 10-11*	OFF	2-3, 5-6, 8-9, 11-12*	L192	6	4NT1-7	14NT1-7	4NT91-7	E, L, N
	NONE*	OFF	2-3, 5-6, 8-9, 11-12	L191	5	4NT1-21	14NT1-21	4NT91-21	E, F, K, M
	NONE**	1-2, 4-5, 7-8, 10-11	2-3, 5-6, 8-9, 11-12	L191	5	4NT1-31	14NT1-31	4NT91-31	E, F, K, M
	NONE**	1-2, 4-5, 7-8, 10-11	2-3, 5-6, 8-9, 11-12*	L192	6	4NT1-51	14NT1-51	4NT91-51	E
	1-2, 4-5, 7-8, 10-11*	OFF	NONE**	L192	6	4NT1-61	14NT1-61	4NT91-61	E
	1-2, 4-5, 7-8, 10-11	2-3, 4-5, 7-8, 11-12	2-3, 5-6, 8-9, 11-12	L191	5	4NT1-12	14NT1-12	4NT91-12	ALL TYPES
	1-2, 4-5, 7-8, 10-11	2-3, 4-5	2-3, 5-6, 8-9, 11-12	L191	5	4NT1-10	14NT1-10	4NT91-10	ALL TYPES
	1-2, 4-5, 7-8, 10-11*	2-3, 4-5, 7-8, 11-12	2-3, 5-6, 8-9, 11-12	L192	6	4NT1-50	14NT1-50	4NT91-50	E, F, K, L, M, N
	1-2, 4-5, 7-8, 10-11*	2-3, 4-5	2-3, 5-6, 8-9, 11-12*	L192	6	4NT1-70	14NT1-70	4NT91-70	E, L, N
	1-2, 4-5, 7-8, 10-11*	2-3, 4-5, 7-8, 11-12	2-3, 5-6, 8-9, 11-12*	L192	6	4NT1-72	-	-	E, L, N

* These positions are momentary. All others are maintained.

** Toggle lever is blocked from these products. Toggle becomes 2-position, with center being one extreme position.

*** See page 17 for locking configurations.

MICRO SWITCH COMMERCIAL-GRADE TOGGLE SWITCHES

NT SERIES

TABLE 8. NT (FLAT BASE) 2-POSITION ORDER GUIDE

NO. OF POLES	CIRCUITS MADE WITH TOGGLE AT:		UL RATING CODE	ELECT. RATING CODE	CATALOG LISTING (STANDARD LEVER)
	KEYWAY POSITION	OPPOSITE KEYWAY			QUICK CONNECT
1	OFF	2-3	L191	1	31NT91-2
	1-2	2-3	L191	1	31NT91-3
	OFF**	2-3	L192	2	31NT91-4
	1-2**	OFF	L192	2	31NT91-6
	1-2**	2-3	L192	2	31NT91-8
2	OFF	2-3, 5-6	L191	3	32NT91-2
	1-2, 4-5	2-3, 5-6	L191	3	32NT91-3
	OFF*	2-3, 5-6	L192	4	32NT91-4
	1-2, 4-5**	OFF	L192	4	32NT91-6
	1-2, 4-5**	2-3, 5-6	L192	4	32NT91-8

** These positions are momentary. All others are maintained.

TABLE 9. NT (FLAT BASE) 2-POSITION ORDER GUIDE • PANEL STAND-OFF FEATURE

NO. OF POLES	CIRCUITS MADE WITH TOGGLE AT:		UL RATING CODE	ELECT. RATING CODE	CATALOG LISTING (STANDARD LEVER)
	KEYWAY POSITION	OPPOSITE KEYWAY			QUICK CONNECT
1	OFF	2-3	L191	1	631NT91-2
	1-2**	2-3	L191	1	631NT91-3
	OFF	2-3	L192	2	631NT91-4
	1-2**	OFF	L192	2	631NT91-6
	1-2**	2-3	L192	2	631NT91-8
2	OFF	2-3, 5-6	L191	3	632NT91-2
	1-2, 4-5	2-3, 5-6	L191	3	632NT91-3
	OFF**	2-3, 5-6	L192	4	632NT91-4
	1-2, 4-5**	OFF	L192	4	632NT91-6
	1-2, 4-5**	2-3, 5-6	L192	4	632NT91-8

** These positions are momentary. All others are maintained.

TABLE 10. NT (FLAT BASE) Z-POSITION ORDER GUIDE • PANEL STAND-OFF FEATURE

NO. OF POLES	KEYWAY POSITION
19PA168-NT	2-pole connector
19PA169-NT	1-pole connector, same package size as 2-pole connector

MICRO SWITCH COMMERCIAL-GRADE TOGGLE SWITCHES NT SERIES

TABLE 11. NT (FLAT BASE) 3-POSITION ORDER GUIDE

NO. OF POLES	CIRCUITS MADE WITH TOGGLE AT:			UL RATING CODE	ELECT. RATING CODE	CATALOG LISTING (STANDARD LEVER) QUICK CONNECT
	KEYWAY POSITION	CENTER POSITION	OPPOSITE KEYWAY			
1	1-2	OFF	2-3	L191	1	31NT91-1
	1-2**	OFF	2-3	L192	2	31NT91-5
	1-2**	OFF	2-3**	L192	2	31NT91-7
	NONE***	OFF	2-3	L191	1	31NT91-21
	NONE***	1-2	2-3	L191	1	31NT91-31
	NONE***	1-2	2-3**	L192	2	31NT91-51
	1-2**	OFF	NONE***	L192	2	31NT91-61
2	1-2, 4-5	OFF	2-3, 5-6	L191	3	32NT91-1
	1-2, 4-5**	OFF	2-3, 5-6	L192	4	32NT91-5
	1-2, 4-5**	OFF	2-3, 5-6**	L192	4	32NT91-7
	NONE***	OFF	2-3, 5-6	L191	3	32NT91-21
	NONE***	1-2, 4-5	2-3, 5-6	L191	3	32NT91-31
	NONE***	1-2, 4-5	2-3, 5-6**	L192	4	32NT91-51
	1-2, 4-5**	OFF	NONE***	L192	4	32NT91-61
	1-2, 4-5	2-3, 5-6	2-3, 5-6	L191	3	32NT91-12
	1-2, 4-5	1-2, 5-6	2-3, 5-6	L191	3	32NT91-10
	1-2, 4-5**	1-2, 5-6	2-3, 5-6	L192	4	32NT91-50
	1-2, 4-5**	1-2, 5-6	2-3, 5-6**	L192	4	32NT91-70

** These positions are momentary. All others are maintained.

*** Toggle lever is blocked from these positions. Toggle becomes 2-position, with center being one extreme position.

TABLE 12. NT (FLAT BASE) 3-POSITION ORDER GUIDE • PANEL STAND-OFF FEATURE

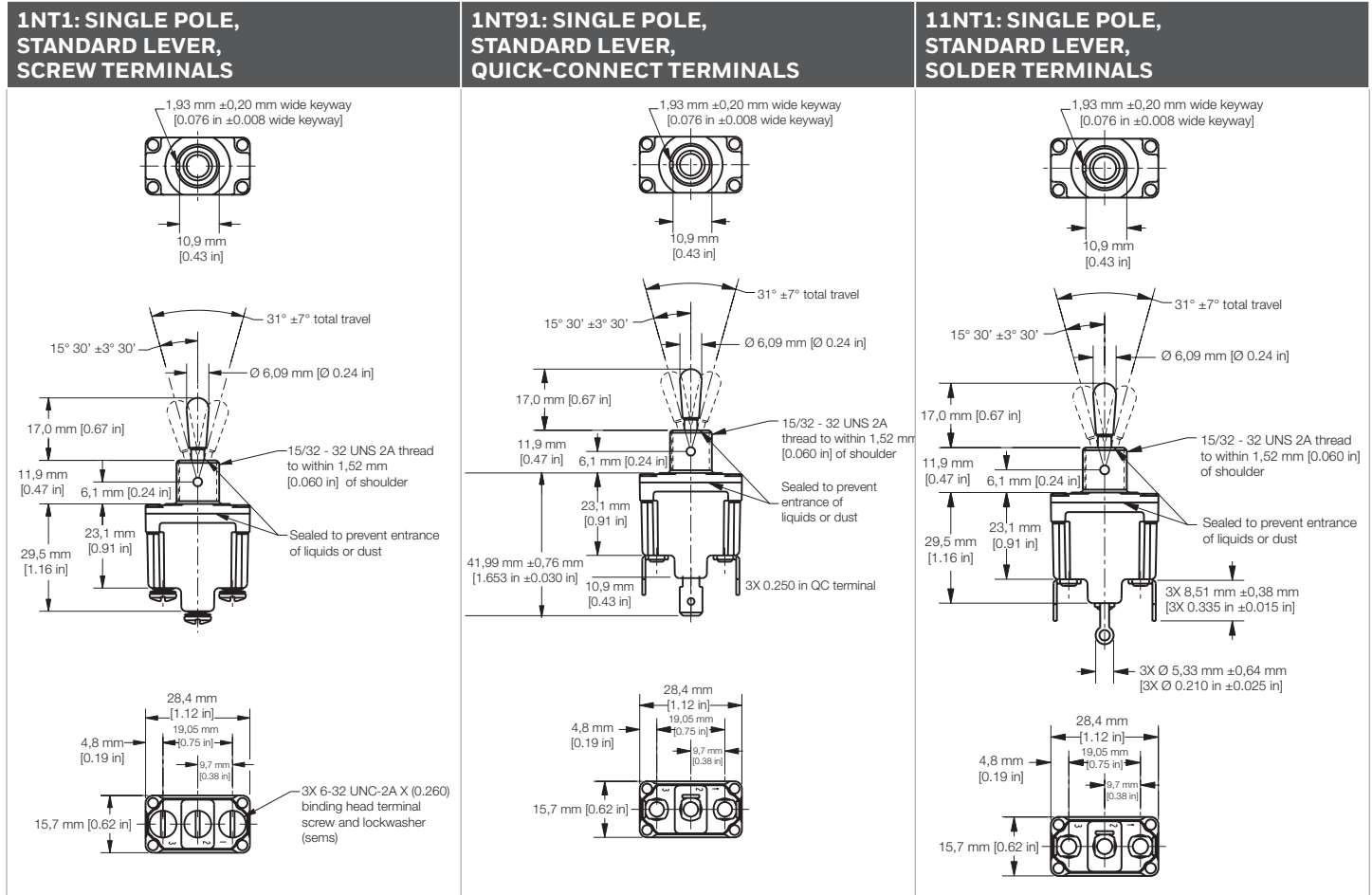
NO. OF POLES	CIRCUITS MADE WITH TOGGLE AT:			UL RATING CODE	ELECT. RATING CODE	CATALOG LISTING (STANDARD LEVER) QUICK CONNECT
	KEYWAY POSITION	CENTER POSITION	OPPOSITE KEYWAY			
1	1-2**	OFF	2-3**	L192	2	631NT91-7
	1-2	OFF	2-3	L191	1	631NT91-1
	1-2**	OFF	2-3	L191	2	631NT91-5
2	1-2, 4-5	OFF	2-3, 5-6	L191	3	632NT91-1
	1-2, 4-5**	OFF	2-3, 5-6	L192	4	632NT91-5
	1-2, 4-5**	OFF	2-3, 5-6**	L192	4	632NT91-7
	1-2, 4-5**	1-2, 5-6	2-3, 5-6**	L192	4	632NT91-70

** These positions are momentary. All others are maintained.

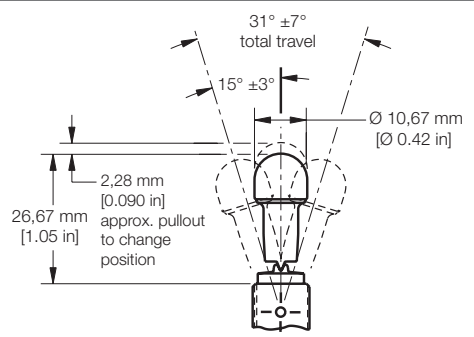
MICRO SWITCH COMMERCIAL-GRADE TOGGLE SWITCHES NT SERIES

STEP BASE • STANDARD ACTUATOR OPTIONS, TERMINALS, & DIMENSIONS

NOTE: Three-position switches shown.



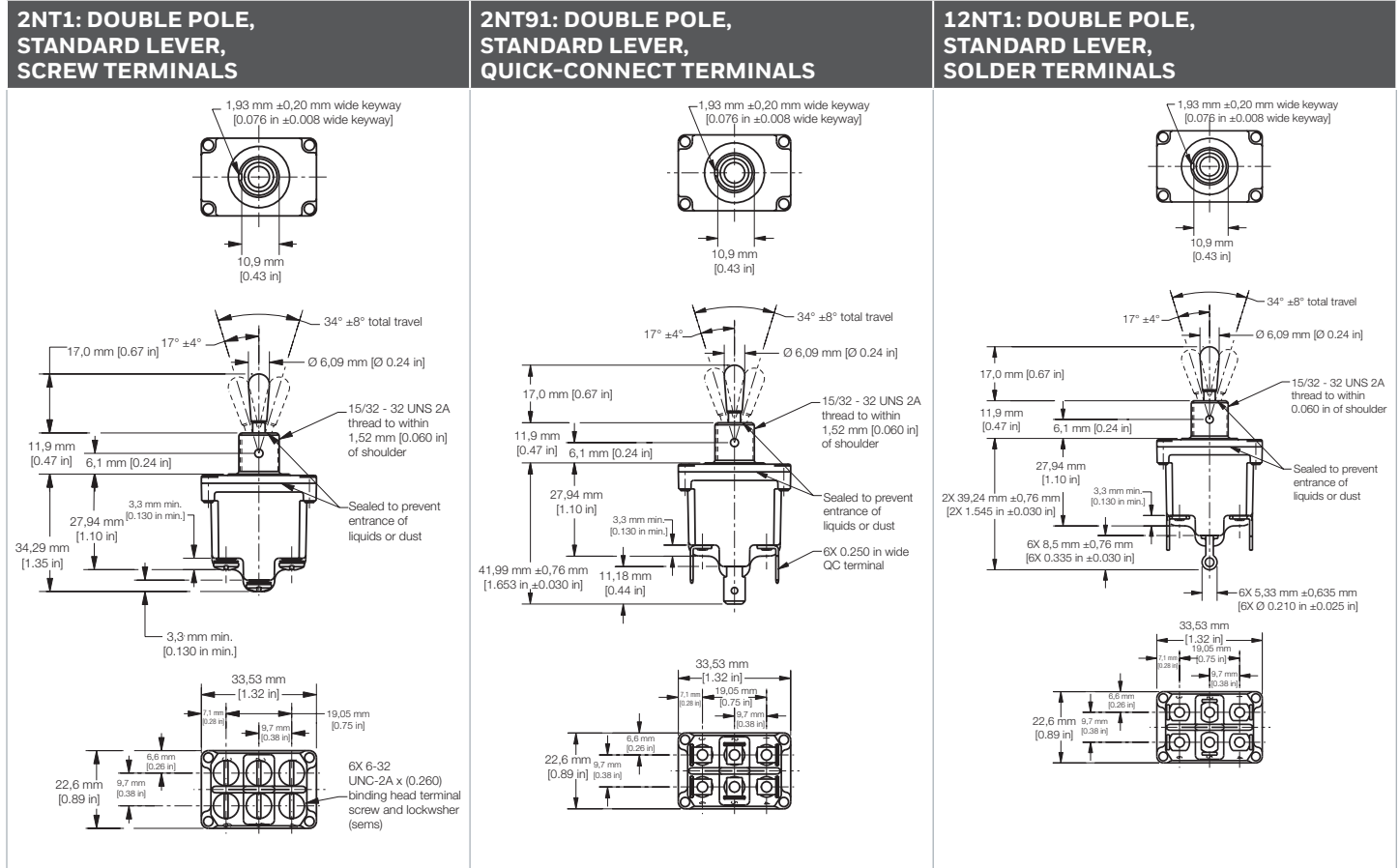
LOCKING LEVER DIMENSIONS FOR SINGLE POLE NT TOGGLES



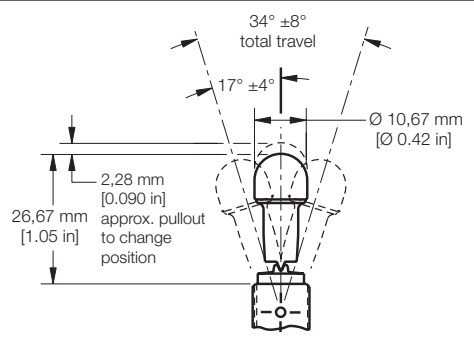
MICRO SWITCH COMMERCIAL-GRADE TOGGLE SWITCHES NT SERIES

STEP BASE • STANDARD ACTUATOR OPTIONS, TERMINALS, & DIMENSIONS

NOTE: Three-position switches shown.



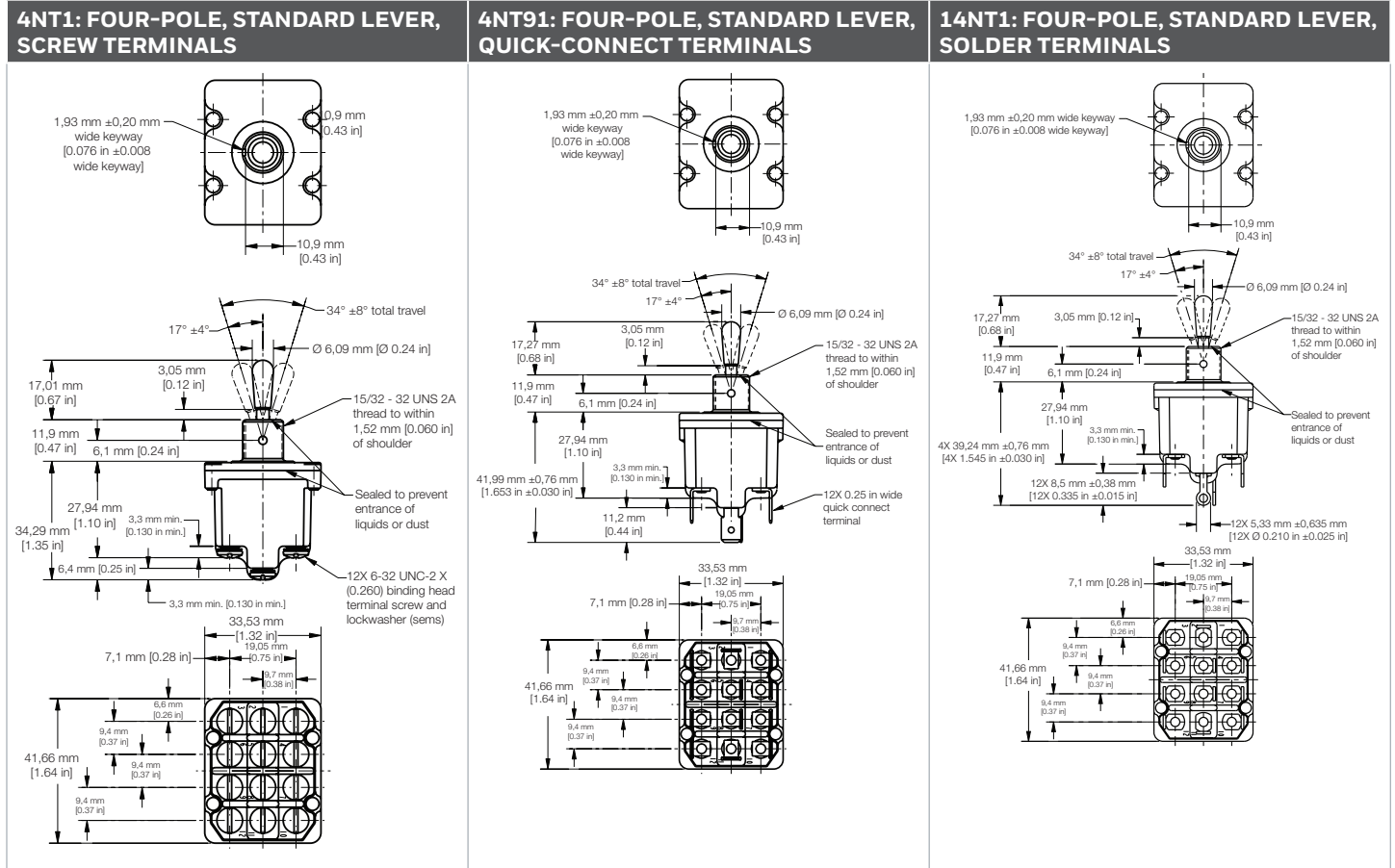
LOCKING LEVER DIMENSIONS FOR DOUBLE POLE NT TOGGLES



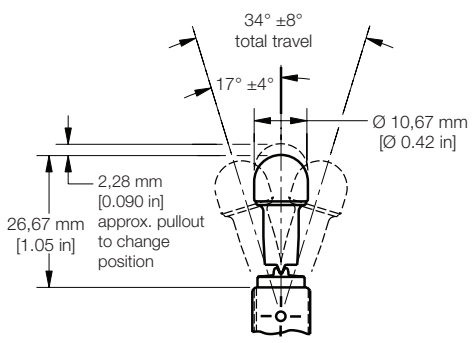
MICRO SWITCH COMMERCIAL-GRADE TOGGLE SWITCHES NT SERIES

STEP BASE • STANDARD ACTUATOR OPTIONS, TERMINALS, & DIMENSIONS

NOTE: Three-position switches shown.



LOCKING LEVER DIMENSIONS FOR FOUR-POLE NT TOGGLES

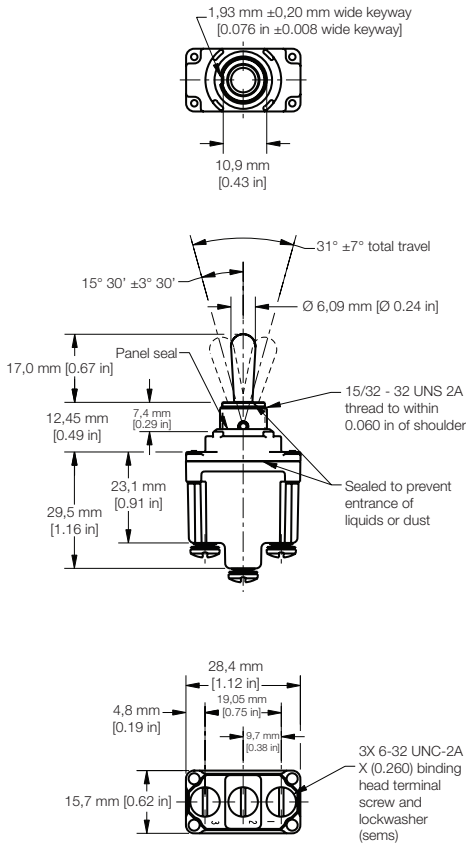


MICRO SWITCH COMMERCIAL-GRADE TOGGLE SWITCHES NT SERIES

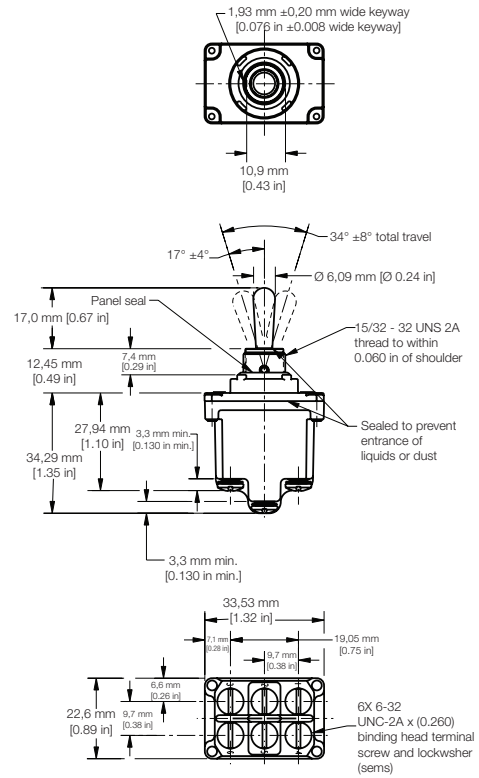
STEP BASE • STANDARD ACTUATOR OPTIONS, TERMINALS, & DIMENSIONS

NOTE: Three-position switches shown.

61NT1: SINGLE POLE, STANDARD LEVER, PANEL STANDOFF, SCREW TERMINALS



62NT1: DOUBLE POLE, STANDARD LEVER, PANEL STANDOFF, SCREW TERMINALS

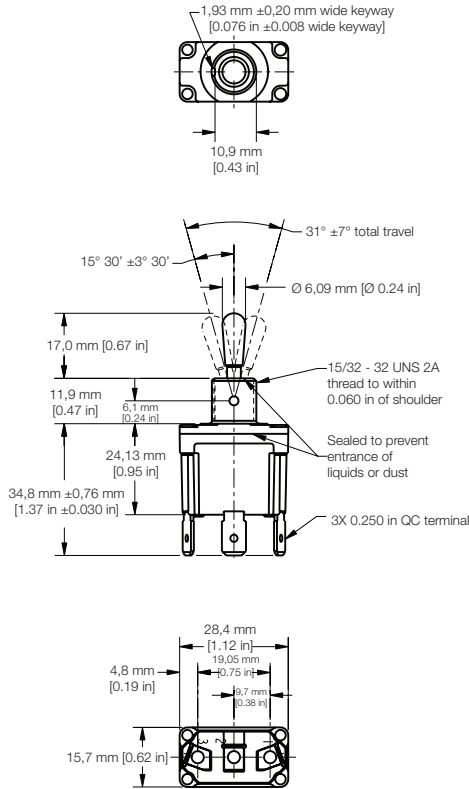


MICRO SWITCH COMMERCIAL-GRADE TOGGLE SWITCHES NT SERIES

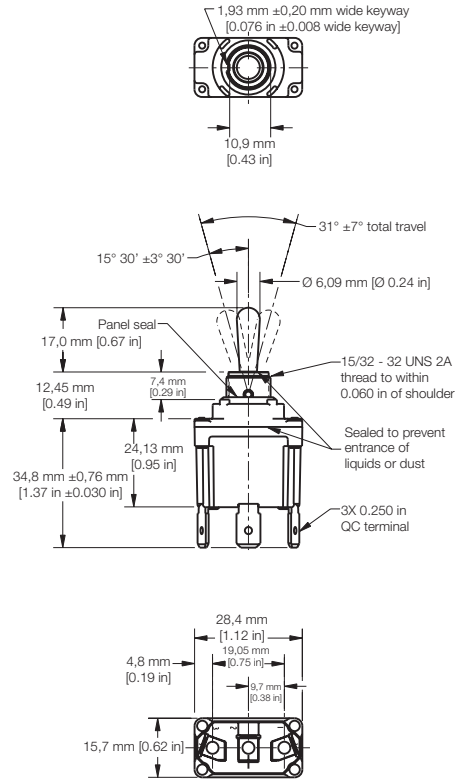
FLAT BASE • STANDARD ACTUATOR OPTIONS, TERMINALS, & DIMENSIONS

NOTE: Three-position switches shown.

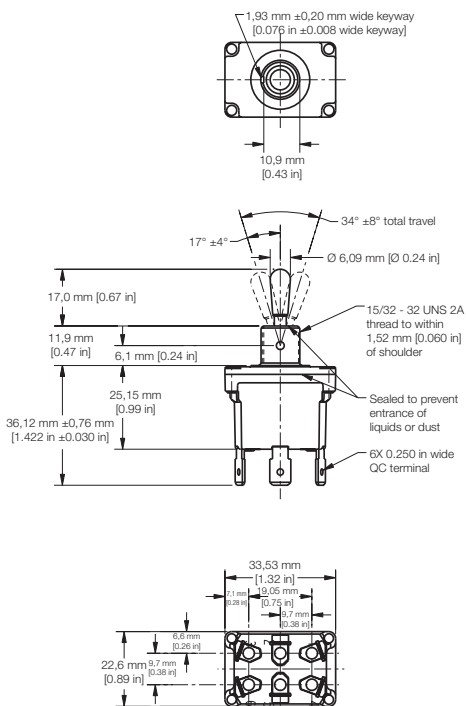
31NT91: SINGLE POLE, STANDARD LEVER, QUICK-CONNECT TERMINALS



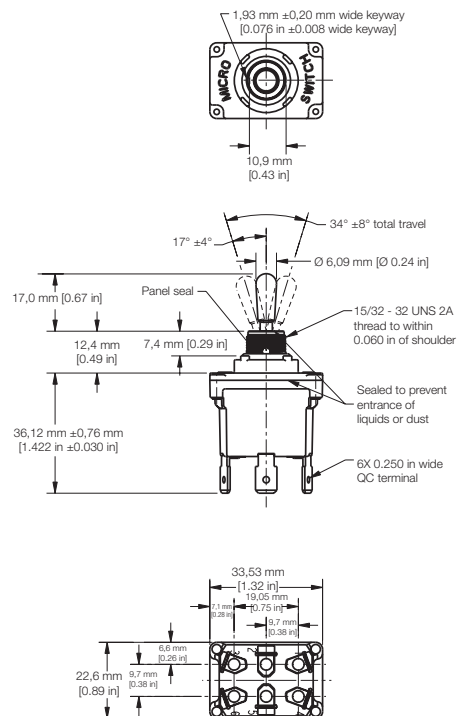
631NT91: SINGLE POLE, STANDARD LEVER, PANEL STANDOFF, QUICK-CONNECT TERMINALS



32NT91: DOUBLE POLE, STANDARD LEVER, QUICK-CONNECT TERMINALS










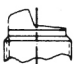





632NT91: STANDARD LEVER, PANEL STANDOFF, QUICK-CONNECT TERMINALS



MICRO SWITCH COMMERCIAL-GRADE TOGGLE SWITCHES NT SERIES

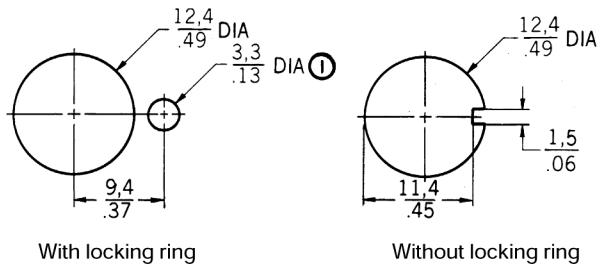
MICRO SWITCH NT SERIES LOCKING CONFIGURATIONS

A  Locked In Three Positions	B  Locked In Center and Extreme Position (Keyway Side)	D  Locked Out Of Center Position	E  Locked In Center Position	F  Locked In Extreme Position (Opposite Keyway)	G  Locked In Extreme Position (Keyway Side)	H  Locked Out Of Center And Extreme Position (Keyway Side)
J  Locked Out Of Center And Extreme Position (Opposite Keyway)	K  Locked In Center And Extreme Position (Opposite Keyway)	L  Locked Out Of Extreme Position (Keyway Side)	M  Locked Out Of And Into Extreme Position (Opposite Keyway)	N  Locked Out Of Extreme Position (Opposite Keyway)	P  Locked Out Of And Into Extreme Position (Keyway Side)	

PULL-TO-UNLOCK LEVERS

Pull-to-unlock toggle levers prevent accidental toggle movement. The knobbed toggle lever must be pulled out approximately 2,3 mm [0.09 in] to change positions. Thirteen different locking configurations are available. This lever style also has a non-glare matte nickel finish. See table below for specific locking configurations.

MICRO SWITCH NT SERIES PANEL CUTOUT



Note:
 © 1,4/.06 MIN DEEP TO ACCOMMODATE LOCKING RING. 15PA87 PANEL SEAL REQUIRES BLIND HOLE TO INSURE SEAL INTEGRITY

WARRANTY/REMEDY

Honeywell warrants goods of its manufacture as being free of defective materials and faulty workmanship during the applicable warranty period. Honeywell's standard product warranty applies unless agreed to otherwise by Honeywell in writing; please refer to your order acknowledgment or consult your local sales office for specific warranty details. If warranted goods are returned to Honeywell during the period of coverage, Honeywell will repair or replace, at its option, without charge those items that Honeywell, in its sole discretion, finds defective. The foregoing is buyer's sole remedy and is in lieu of all other warranties, expressed or implied, including those of merchantability and fitness for a particular purpose. In no event shall Honeywell be liable for consequential, special, or indirect damages.

While Honeywell may provide information or engineering support for its products through Honeywell personnel, literature and website, it is the buyer's sole responsibility to determine the suitability of the Honeywell product(s) for the buyer's requirements.

Specifications may change without notice. The information we supply is believed to be accurate and reliable as of this writing. However, Honeywell assumes no responsibility for its use.

For more information

Honeywell Sensing Solutions services its customers through a worldwide network of sales offices and distributors.

For application assistance, current specifications, pricing or the nearest Authorized Distributor, visit [our website](#) or call:

USA/Canada	+1 302 613 4491
Latin America	+1 305 805 8188
Europe	+44 1344 238258
Japan	+81 (0) 3-6730-7152
Singapore	+65 6355 2828
Greater China	+86 4006396841

Honeywell Sensing Solutions

830 East Arapaho Road
Richardson, TX 75081
www.honeywell.com

005429-7-EN | 7 | 10/24
© 2024 Honeywell International Inc. All rights reserved.

WARNING MISUSE OF DOCUMENTATION

- The information presented in this product sheet is for reference only. Do not use this document as a product installation guide.
- Complete installation, operation and maintenance information is provided in the instructions supplied with each product.

Failure to comply with these instructions could result in death or serious injury.

Honeywell