

250KEPS6AFPW ✓ ACTIVE

Corcom | Corcom KEP

TE Internal #: 2-1609968-6

250 A 3-Phase Filter, Threaded Bolt Input, Threaded Bolt Output,
WYE (4 wire + ground), 440 VAC, Chassis Mount, Corcom KEP

[View on TE.com >](#)



EMI & EMC Solutions > EMC Filters > Power Line Filters > 3-Phase Filters > KEP



Current Rating: **250 A**

Input Termination Type: **Threaded Bolt**

Output Termination Type: **Threaded Bolt**

Wiring Configuration: **WYE (4 wire + ground)**

Operating Voltage: **440 VAC**

[All KEP \(92\)](#)

Features

Product Type Features

Filtering Requirements	Filtered
Input Termination Type	Threaded Bolt
Output Termination Type	Threaded Bolt

Configuration Features

Wiring Configuration	WYE (4 wire + ground)
----------------------	-----------------------

Electrical Characteristics

Leakage Current (Max) (230VAC, 50Hz)	12
Current Rating	250 A
Operating Voltage	440 VAC

Mechanical Attachment

Product Mount Type	Chassis Mount
--------------------	---------------

Usage Conditions

Operating Temperature Range	-25 – 85 °C
-----------------------------	-------------



Product Compliance

[For compliance documentation, visit the product page on TE.com>](#)

EU RoHS Directive 2011/65/EU	Not Compliant
EU ELV Directive 2000/53/EC	Compliant
China RoHS 2 Directive MIIT Order No 32, 2016	有害物质含量超出标准 Restricted Substance(s) Above Threshold
EU REACH Regulation (EC) No. 1907/2006	Current ECHA Candidate List: JUNE 2025 (250) Candidate List Declared Against: JUNE 2025 (250) SVHC > Threshold: Pb (3% in Component Part) Article Safe Usage Statements: Do not eat, drink or smoke when using this product. Wash thoroughly after handling. Recycle if possible and dispose of the article by following all applicable governmental regulations relevant to your geographic location.
Halogen Content	Not Low Halogen - contains Br or Cl > 900 ppm.
Solder Process Capability	Not reviewed for solder process capability

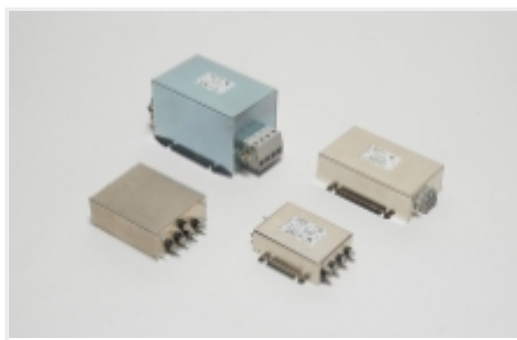
Product Compliance Disclaimer

This information is provided based on reasonable inquiry of our suppliers and represents our current actual knowledge based on the information they provided. This information is subject to change. The part numbers that TE has identified as EU RoHS compliant have a maximum concentration of 0.1% by weight in homogenous materials for lead, hexavalent chromium, mercury, PBB, PBDE, DBP, BBP, DEHP, DIBP, and 0.01% for cadmium, or qualify for an exemption to these limits as defined in the Annexes of Directive 2011/65/EU (RoHS2). Finished electrical and electronic equipment products will be CE marked as required by Directive 2011/65/EU. Components may not be CE marked. Additionally, the part numbers that TE has identified as EU ELV compliant have a maximum concentration of 0.1% by weight in homogenous materials for lead, hexavalent chromium, and mercury, and 0.01% for cadmium, or qualify for an exemption to these limits as defined in the Annexes of Directive 2000/53/EC (ELV). Regarding the REACH Regulation, the information TE provides on SVHC in articles for this part number is based on the latest European Chemicals Agency (ECHA) 'Guidance on requirements for substances in articles' posted at this URL: <https://echa.europa.eu/guidance-documents/guidance-on-reach>

Compatible Parts

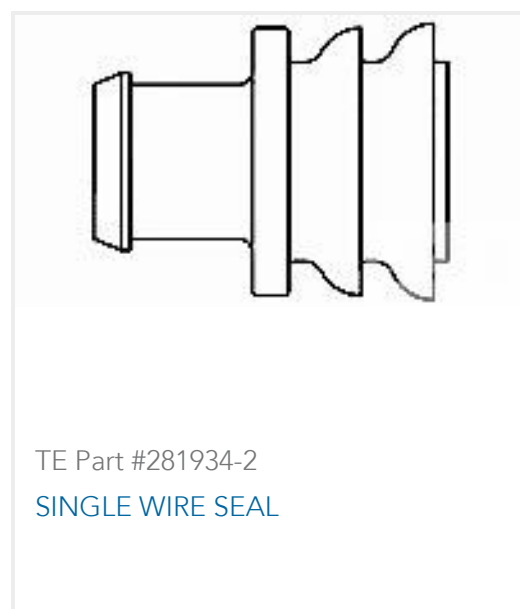
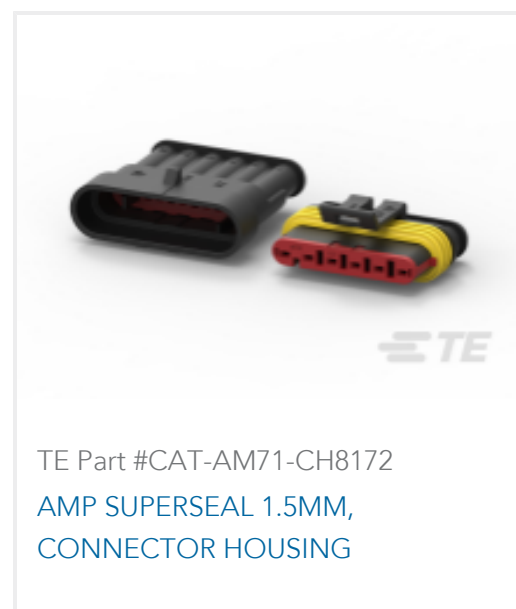


Also in the Series | [Corcom KEP](#)



3-Phase Filters(92)

Customers Also Bought

TE Part #CAT-D48-ST273
DEUTSCH Connector Solid ContactsTE Part #CAT-D487-W416
Wedgelocks: DEUTSCH DTTE Part #DT04-2P
REC, 2P, GRY, NTE Part #DT06-2S
PLG, 2P, GRY, NTE Part #114017-ZZ
SEALING PLUG, SIZE 12/16, WHTTE Part #281934-2
SINGLE WIRE SEALTE Part #CAT-AM71-CH8172
AMP SUPERSEAL 1.5MM,
CONNECTOR HOUSING

Documents

Product Drawings

KEP 250A 1S HIGH PLUS NUT WYE 440VAC

English

CAD Files

Customer View Model

[ENG_CVM_CVM_2-1609968-6_B.2d_dxf.zip](#)

English

Customer View Model

[ENG_CVM_CVM_2-1609968-6_B.3d_stp.zip](#)

English

Customer View Model

[ENG_CVM_CVM_2-1609968-6_B.3d_igs.zip](#)

English

3D PDF

3D

By downloading the CAD file I accept and agree to the [Terms and Conditions](#) of use.

250KEPS6AFPW

250 A 3-Phase Filter, Threaded Bolt Input, Threaded Bolt Output, WYE (4 wire + ground), 440 VAC, Chassis Mount, Corcom KEP



[Datasheets & Catalog Pages](#)

[KEP SERIES](#)

English