

**Customer Part:**



**Description**

- Suitable for real time clock applications  
32.768kHz output crystal oscillators  
Ceramic package with a seam sealed metal lid, hermetically sealed
- Model CFPS-107
- Model Issue number 6

**Frequency Parameters**

- Frequency 32.7680kHz
- Frequency Stability ±100.00ppm
- Operating Temperature Range -40.00 to 125.00°C
- Ageing ±3ppm max per year

**Electrical Parameters**

- Supply Voltage 1.8V ±5%
- Current Draw 1.500mA

**Output Details**

- Output Compatibility CMOS
- Drive Capability 15pF max
- Rise and Fall Time 50.0ns max
- Duty Cycle 40/60%

**Output Control**

- Standby Operation:  
Logic '1' to pad 1 enables oscillator output  
Logic '0' to pad 1 disables oscillator output; when disabled the oscillator output goes to the high impedance state  
No connection to pad 1 enables oscillator output
- Start-up Time: 35ms max  
2ms typ to 90% of final amplitude (under ideal conditions @ 25°C)
- Standby Current: 10µA max, 1.35µA typ @ 25°C

**Environmental Parameters**

- Storage Temperature Range: -55 to 125°C
- Shock: MIL-STD-883F, Method 2002.4: 1500G, 0.5ms, 3 times in each of 3 mutually perpendicular planes.
- Vibration: MIL-STD-883F, Method 2007.3: 20G (20Hz-2000Hz), 1.52mm amplitude

**Manufacturing Details**

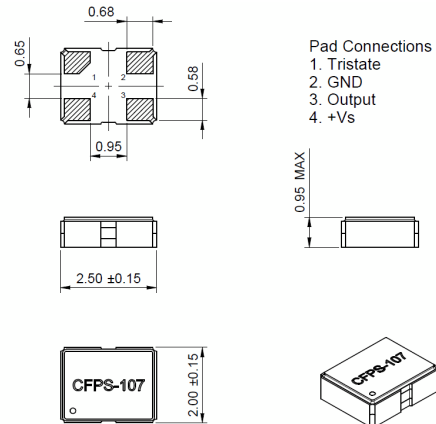
- RoHS Terminations NiAu
- RoHS Reflow Temp 260degC 10s

**Compliance**

- RoHS Status (2015/863/EU) Compliant
- REACH Status Compliant
- MSL Rating (JDEC-STD-033): Not Applicable

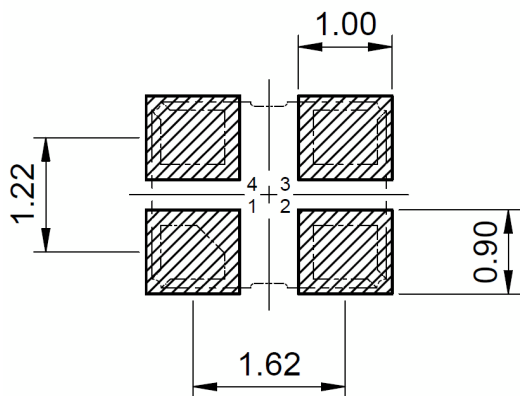


**Outline (mm)**



- Pad Connections**
1. Tristate
  2. GND
  3. Output
  4. +Vs

**Recommended Solder Pad Layout**



**Sales Office Contact Details:**

UK: +44 (0)1460 270200

Email: [info@iqdfrequencyproducts.com](mailto:info@iqdfrequencyproducts.com)

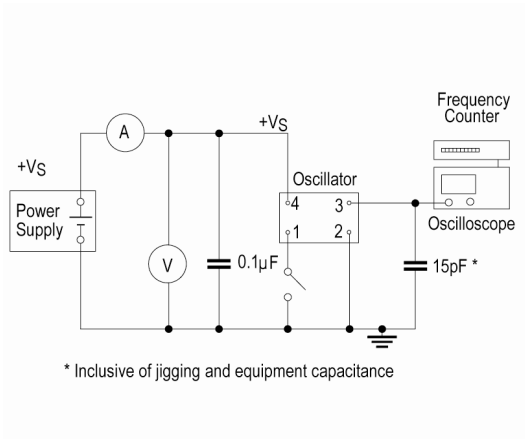
Web: [www.iqdfrequencyproducts.com](http://www.iqdfrequencyproducts.com)

**Customer Part:**

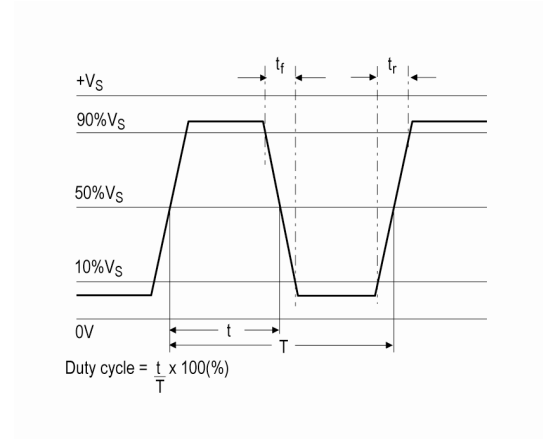
**Packaging Details**

- Tape & reel in accordance with EIA-481  
Quantities below the standard reel size to be supplied on cut tape  
Standard Pack Quantity: 3,000

**Test Circuit**



**Waveform**



**Sales Office Contact Details:**

UK: +44 (0)1460 270200

Email: [info@iqdfrequencyproducts.com](mailto:info@iqdfrequencyproducts.com)

Web: [www.iqdfrequencyproducts.com](http://www.iqdfrequencyproducts.com)