

TJT2501K0J ✓ ACTIVE

CGS | CGS TJT

TE Internal #: 1-2176248-9

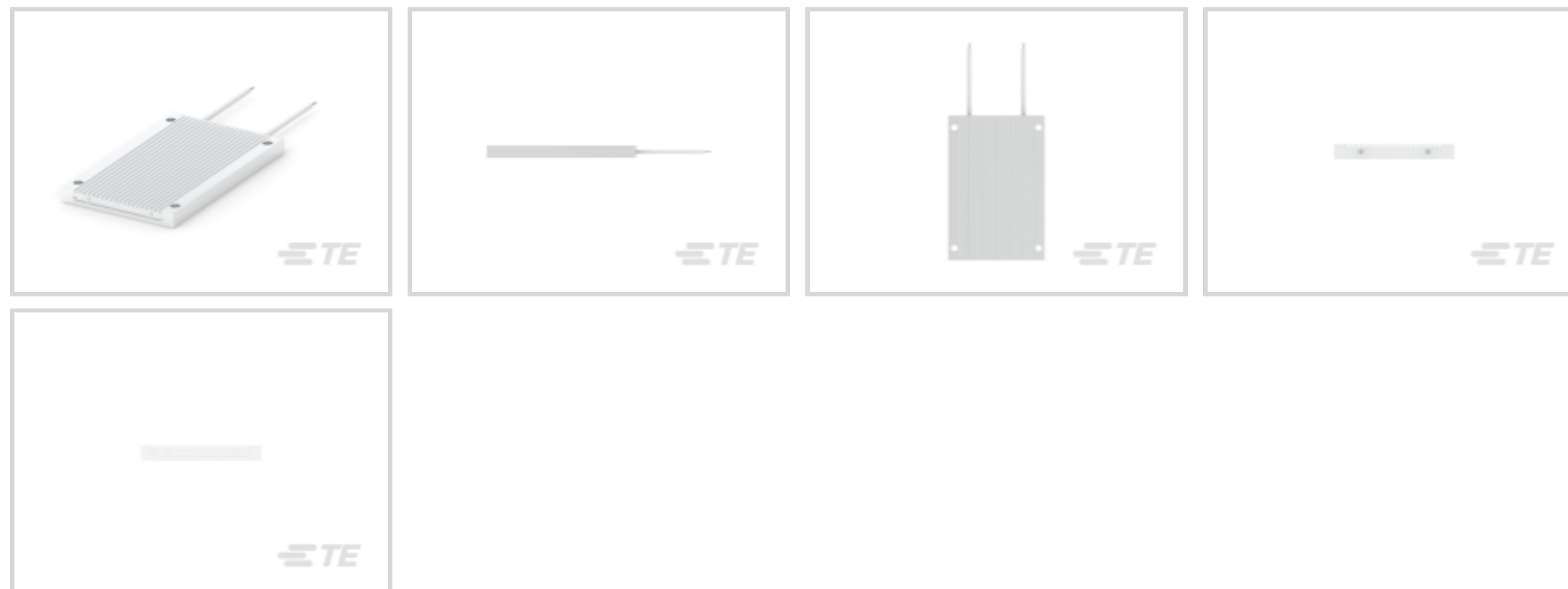
1K ohm, Wire Wound, 5 %, Power Resistor, 250 W, 2 Terminations,
±260 ppm/°C, Flying Leads, Loose Piece - Box, 10 mm [.394 in]

Height, CGS TJT

[View on TE.com >](#)



Passive Components > Resistors > Chassis Mount Resistors



Resistor Type: **Power Resistor**

Resistance Class: **1kΩ – 1MΩ**

Resistance Value: **1K Ω**

Power Rating: **250 W**

Element Type: **Wire Wound**

Features

Product Type Features

Resistor Type	Power Resistor
Element Type	Wire Wound

Configuration Features

Number of Resistors	1
---------------------	---

Electrical Characteristics

Resistance Class	1kΩ – 1MΩ
Resistance Value	1K Ω
Power Rating	250 W
Passive Component Tolerance	5 %

Termination Features

Number of Terminations	2
Chassis Mount Resistor Termination Type	Flying Leads

Mechanical Attachment



Panel Mount Feature Type	Flange with Mounting Holes
--------------------------	----------------------------

Dimensions

Product Height	10 mm[.394 in]
Product Length	180 mm[7.087 in]
Product Width	80 mm[3.149 in]

Usage Conditions

Operating Temperature Range	-25 – 250 $^{\circ}$ C[-13 – 482 $^{\circ}$ F]
Temperature Coefficient	± 260 ppm/ $^{\circ}$ C

Packaging Features

Packaging Method	Loose Piece - Box
------------------	-------------------

Product Compliance

[For compliance documentation, visit the product page on TE.com>](#)

EU RoHS Directive 2011/65/EU	Compliant
EU ELV Directive 2000/53/EC	Compliant
China RoHS 2 Directive MIIT Order No 32, 2016	有害物质含量符合标准要求 No Restricted Substance(s) Above Threshold
EU REACH Regulation (EC) No. 1907/2006	Current ECHA Candidate List: JUNE 2025 (250) Candidate List Declared Against: JUNE 2025 (250) Does not contain REACH SVHC
Halogen Content	Low Halogen - Br, Cl, F < 900 ppm per homogenous material. Also BFR/CFR/PVC Free
Solder Process Capability	Hand solderable with lead free solder

Product Compliance Disclaimer

This information is provided based on reasonable inquiry of our suppliers and represents our current actual knowledge based on the information they provided. This information is subject to change. The part numbers that TE has identified as EU RoHS compliant have a maximum concentration of 0.1% by weight in homogenous materials for lead, hexavalent chromium, mercury, PBB, PBDE, DBP, BBP, DEHP, DIBP, and 0.01% for cadmium, or qualify for an exemption to these limits as defined in the Annexes of Directive 2011/65/EU (RoHS2). Finished electrical and electronic equipment products will be CE marked as required by Directive 2011/65/EU. Components may not be CE marked. Additionally, the part numbers that TE has identified as EU ELV compliant have a maximum concentration of 0.1% by weight in homogenous materials for lead, hexavalent chromium, and mercury, and 0.01% for cadmium, or qualify for an exemption to these limits as defined in the Annexes of Directive 2000/53/EC (ELV). Regarding the REACH Regulation, the information TE provides on SVHC in articles for this part number is based on the latest European Chemicals Agency (ECHA) 'Guidance on requirements for substances in articles' posted at this URL: <https://echa.europa.eu/guidance-documents/guidance-on-reach>

Also in the Series | CGS TJT



Chassis Mount Resistors(59)

Customers Also Bought



TE Part #34160
TERMINAL,PG R 16-14 8



TE Part #35108
TERMINAL,PIDG R 12-10 8



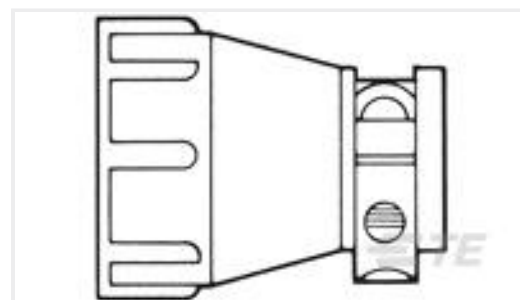
TE Part #87523-6
MOD IV RECP LP



TE Part #102241-1
03 MODIV HSG COMP SR .100 POL



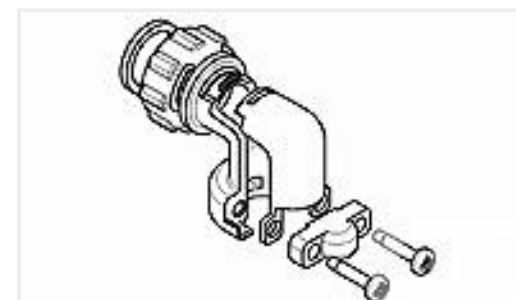
TE Part #206044-1
CPC PLUG ASSEMBLY SIZE 17-14



TE Part #206966-9
CABLE CLAMP KIT, BULK PKG



TE Part #211401-1
RECEPT,SZ 13-7,CPC



TE Part #1546348-2
R/A CABLE CLAMP KIT,SZ 13,CPC



TE Part #1734035-2
MINI USB, TYPE B, R/A, SMT



TE Part #4-2176231-9
3522 1K0 1% 3W

Documents

Product Drawings

TJT 250W 1K0 5%

English

CAD Files

Customer View Model

ENG_CVM_CVM_1-2176248-9_BA.3d_igs.zip



English

Customer View Model

[ENG_CVM_CVM_1-2176248-9_BA.3d_stp.zip](#)

English

Customer View Model

[ENG_CVM_CVM_1-2176248-9_BA.2d_dxf.zip](#)

English

[3D PDF](#)

3D

By downloading the CAD file I accept and agree to the [Terms and Conditions](#) of use.

Datasheets & Catalog Pages

[TJT-0715](#)

English

[ALUMINIUM ENCLOSED POWER RESISTORS - Type TJT Series](#)

English