



CGS | CGS TJT

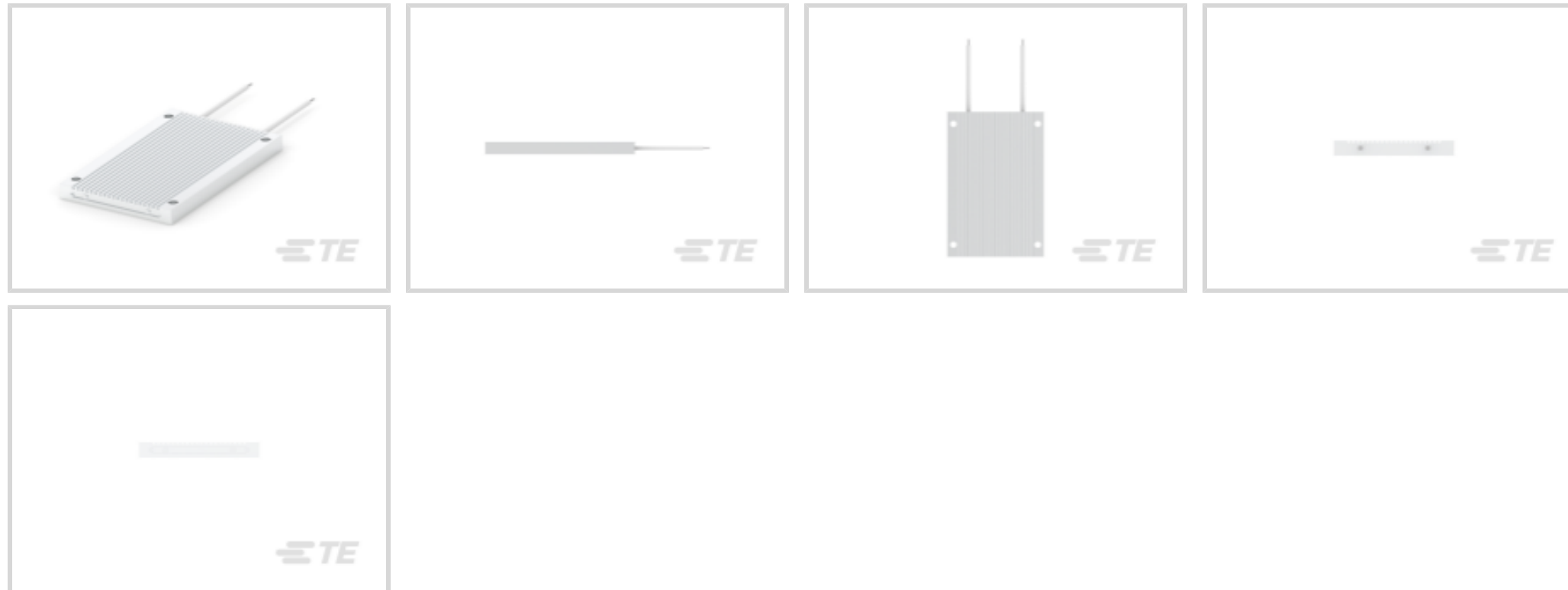
TE Internal #: 1-2176248-4

150 ohm, Wire Wound, 5 %, Power Resistor, 250 W, 2 Terminations, ±260 ppm/°C, Flying Leads, Loose Piece - Box, 10 mm [.394 in]

Height, CGS TJT

[View on TE.com >](#)

Passive Components > Resistors > Chassis Mount Resistors



Resistor Type: **Power Resistor**

Resistance Class: **Up to 1kΩ**

Resistance Value: **150 Ω**

Power Rating: **250 W**

Element Type: **Wire Wound**

## Features

### Product Type Features

Resistor Type	Power Resistor
Element Type	Wire Wound

### Configuration Features

Number of Resistors	1
---------------------	---

### Electrical Characteristics

Resistance Class	Up to 1kΩ
Resistance Value	150 Ω
Power Rating	250 W
Passive Component Tolerance	5 %

### Termination Features

Number of Terminations	2
Chassis Mount Resistor Termination Type	Flying Leads

### Mechanical Attachment

--	--

Panel Mount Feature Type	Flange with Mounting Holes
--------------------------	----------------------------

### Dimensions

Product Height	10 mm[.394 in]
Product Length	180 mm[7.087 in]
Product Width	80 mm[3.149 in]

### Usage Conditions

Operating Temperature Range	-25 – 250 $^{\circ}$ C[-13 – 482 $^{\circ}$ F]
Temperature Coefficient	$\pm 260$ ppm/ $^{\circ}$ C

### Packaging Features

Packaging Method	Loose Piece - Box
------------------	-------------------

## Product Compliance

[For compliance documentation, visit the product page on TE.com>](#)

EU RoHS Directive 2011/65/EU	Compliant
EU ELV Directive 2000/53/EC	Compliant
China RoHS 2 Directive MIIT Order No 32, 2016	有害物质含量符合标准要求 No Restricted Substance(s) Above Threshold
EU REACH Regulation (EC) No. 1907/2006	Current ECHA Candidate List: JUNE 2025 (250) Candidate List Declared Against: JUNE 2025 (250) Does not contain REACH SVHC
Halogen Content	Low Halogen - Br, Cl, F < 900 ppm per homogenous material. Also BFR/CFR/PVC Free
Solder Process Capability	Hand solderable with lead free solder

#### Product Compliance Disclaimer

This information is provided based on reasonable inquiry of our suppliers and represents our current actual knowledge based on the information they provided. This information is subject to change. The part numbers that TE has identified as EU RoHS compliant have a maximum concentration of 0.1% by weight in homogenous materials for lead, hexavalent chromium, mercury, PBB, PBDE, DBP, BBP, DEHP, DIBP, and 0.01% for cadmium, or qualify for an exemption to these limits as defined in the Annexes of Directive 2011/65/EU (RoHS2). Finished electrical and electronic equipment products will be CE marked as required by Directive 2011/65/EU. Components may not be CE marked. Additionally, the part numbers that TE has identified as EU ELV compliant have a maximum concentration of 0.1% by weight in homogenous materials for lead, hexavalent chromium, and mercury, and 0.01% for cadmium, or qualify for an exemption to these limits as defined in the Annexes of Directive 2000/53/EC (ELV). Regarding the REACH Regulation, the information TE provides on SVHC in articles for this part number is based on the latest European Chemicals Agency (ECHA) 'Guidance on requirements for substances in articles' posted at this URL: <https://echa.europa.eu/guidance-documents/guidance-on-reach>

## Compatible Parts



TE Part # 2176248-7  
TJT 250W 10R 5%

## Also in the Series | CGS TJT



Chassis Mount Resistors(59)

## Customers Also Bought



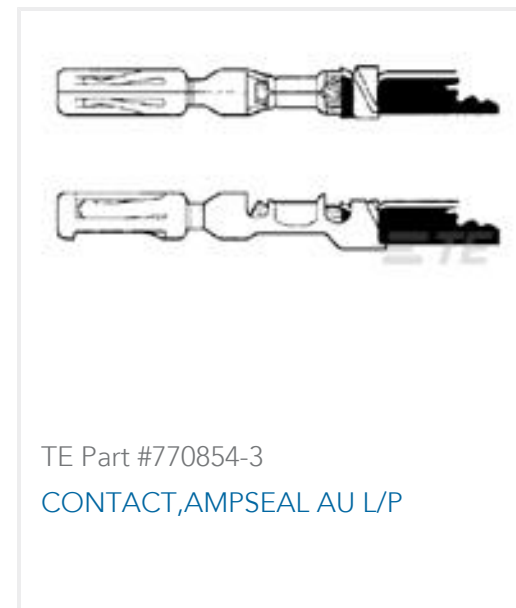
TE Part #102387-9  
40 MODIV HSG COMP DR .100 POL



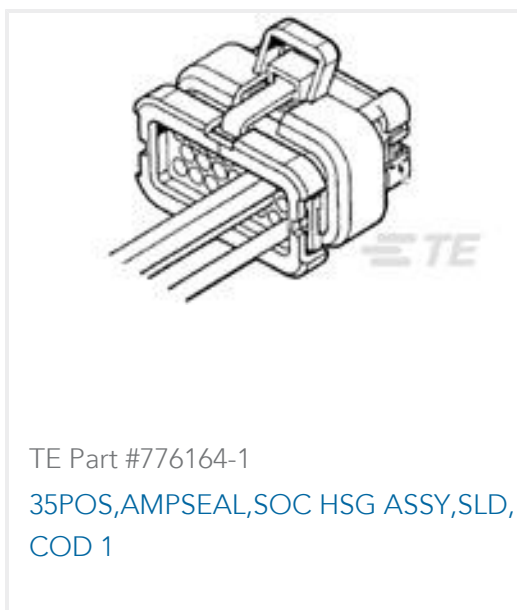
TE Part #170330-2  
PL 187 RECEPTACLE 24-20 AWG  
NPPHBZ



TE Part #3-350820-2  
ULTRAFAST 250 ASSY REC 16-14  
TPBR LP



TE Part #770854-3  
CONTACT,AMPSEAL AU L/P



TE Part #776164-1  
35POS,AMPSEAL,SOC HSG ASSY,SLD,  
COD 1



TE Part #7-1393211-1  
T92P7D22-24



TE Part #1623928-4  
CFR16 5% 330R



TE Part #2176523-5  
3503G 2B 56R2 1% 1K RL



## Documents

### Product Drawings

[TJT 250W 150R 5%](#)

English

### CAD Files

[3D PDF](#)

3D

Customer View Model

[ENG\\_CVM\\_CVM\\_1-2176248-4\\_BA.3d\\_stp.zip](#)

English

Customer View Model

[ENG\\_CVM\\_CVM\\_1-2176248-4\\_BA.2d\\_dxf.zip](#)

English

Customer View Model

[ENG\\_CVM\\_CVM\\_1-2176248-4\\_BA.3d\\_igs.zip](#)

English

By downloading the CAD file I accept and agree to the [Terms and Conditions](#) of use.

### Datasheets & Catalog Pages

[TJT-0715](#)

English

[ALUMINIUM ENCLOSED POWER RESISTORS - Type TJT Series](#)

English