



CGS | CGS TE

TE Internal #: 1-1879451-5

15 ohm, Wire Wound, 5 %, Power Resistor, 600 W, 2 Terminations, ±440 ppm/°C, Solder Lug, Loose Piece - Box, 81 mm [3.189 in]

Height, CGS TE

[View on TE.com >](#)

Passive Components > Resistors > Chassis Mount Resistors > Wirewound Resistor: Mineral, 2.5 Kw



Resistor Type: **Power Resistor**

Resistance Class: **Up to 1kΩ**

Resistance Value: **15 Ω**

Power Rating: **600 W**

Element Type: **Wire Wound**

[All Wirewound Resistor: Mineral, 2.5 Kw \(607\)](#)

## Features

### Product Type Features

Resistor Type	Power Resistor
Element Type	Wire Wound

### Configuration Features

Number of Resistors	1
---------------------	---

### Electrical Characteristics

Resistance Class	Up to 1kΩ
Resistance Value	15 Ω
Power Rating	600 W
Passive Component Tolerance	5 %

### Termination Features

Number of Terminations	2
Chassis Mount Resistor Termination Type	Solder Lug

### Mechanical Attachment

Panel Mount Feature Type	Mounting Brackets
--------------------------	-------------------

### Dimensions

Product Height	81 mm[3.189 in]
----------------	-----------------



Product Length	389 mm[15.315 in]
----------------	-------------------

Product Width	40 mm[1.575 in]
---------------	-----------------

### Usage Conditions

Operating Temperature Range	-55 – 155 $^{\circ}\text{C}$ [-67 – 311 $^{\circ}\text{F}$ ]
-----------------------------	--

Temperature Coefficient	$\pm 440$ ppm/ $^{\circ}\text{C}$
-------------------------	-----------------------------------

### Packaging Features

Packaging Method	Loose Piece - Box
------------------	-------------------

### Product Compliance

[For compliance documentation, visit the product page on TE.com>](#)

EU RoHS Directive 2011/65/EU	Compliant
------------------------------	-----------

EU ELV Directive 2000/53/EC	Compliant
-----------------------------	-----------

China RoHS 2 Directive MIIT Order No 32, 2016	有害物质含量符合标准要求 No Restricted Substance(s) Above Threshold
---	---

EU REACH Regulation (EC) No. 1907/2006	Current ECHA Candidate List: JUNE 2025 (250) Candidate List Declared Against: JUNE 2025 (250) Does not contain REACH SVHC
--	---

Halogen Content	Low Halogen - Br, Cl, F < 900 ppm per homogenous material. Also BFR/CFR/PVC Free
-----------------	--

Solder Process Capability	Not applicable for solder process capability
---------------------------	--

#### Product Compliance Disclaimer

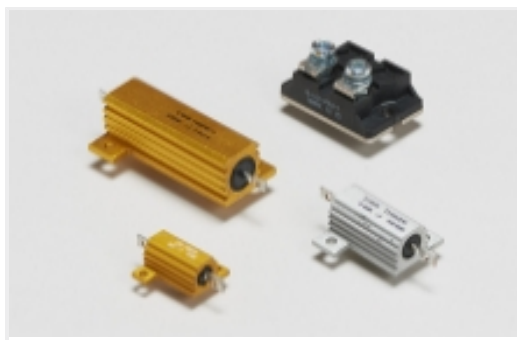
This information is provided based on reasonable inquiry of our suppliers and represents our current actual knowledge based on the information they provided. This information is subject to change. The part numbers that TE has identified as EU RoHS compliant have a maximum concentration of 0.1% by weight in homogenous materials for lead, hexavalent chromium, mercury, PBB, PBDE, DBP, BBP, DEHP, DIBP, and 0.01% for cadmium, or qualify for an exemption to these limits as defined in the Annexes of Directive 2011/65/EU (RoHS2). Finished electrical and electronic equipment products will be CE marked as required by Directive 2011/65/EU. Components may not be CE marked. Additionally, the part numbers that TE has identified as EU ELV compliant have a maximum concentration of 0.1% by weight in homogenous materials for lead, hexavalent chromium, and mercury, and 0.01% for cadmium, or qualify for an exemption to these limits as defined in the Annexes of Directive 2000/53/EC (ELV). Regarding the REACH Regulation, the information TE provides on SVHC in articles for this part number is based on the latest European Chemicals Agency (ECHA) 'Guidance on requirements for substances in articles' posted at this URL: <https://echa.europa.eu/guidance-documents/guidance-on-reach>

### Compatible Parts



TE Part # CAT-C339-T2201  
Wirewound Resistor: Mineral, 2.5 Kw

### Also in the Series | CGS TE



Chassis Mount Resistors(667)



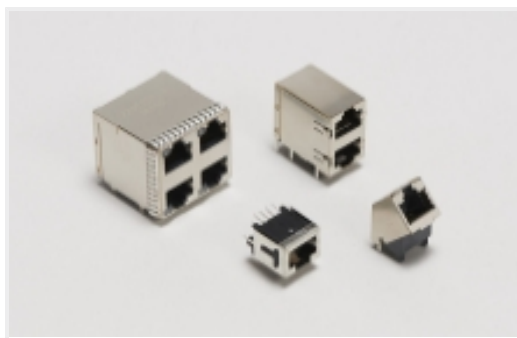
RJ14 Connectors(4)



RJ22 Connectors(2)



RJ25 Connectors(4)

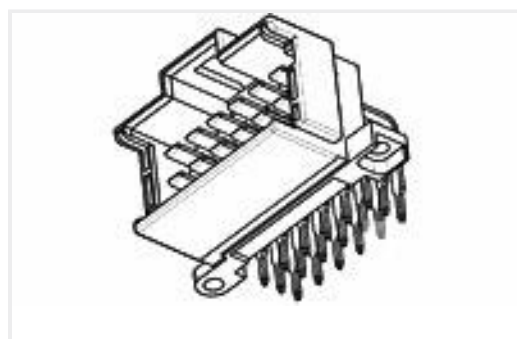


RJ45 Connectors(27)

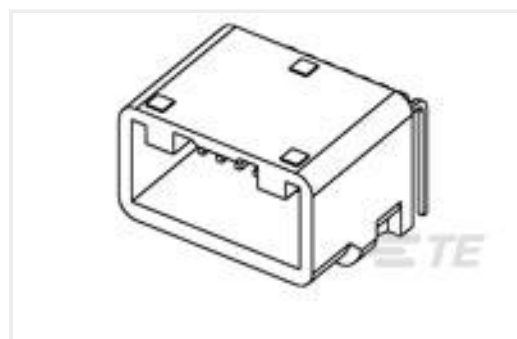
### Customers Also Bought



TE Part #803282-SF  
FN9244-10-06



TE Part #9-966140-4  
MESSERLEISTE 9P



TE Part #1318382-8  
025 16POS CAP ASSY H SELECTIVE-TIN



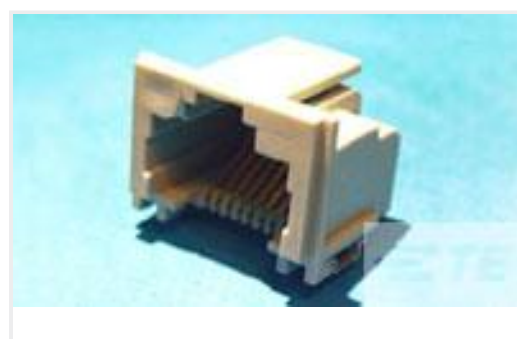
TE Part #1623174-1  
CRG0805 1% 2K2



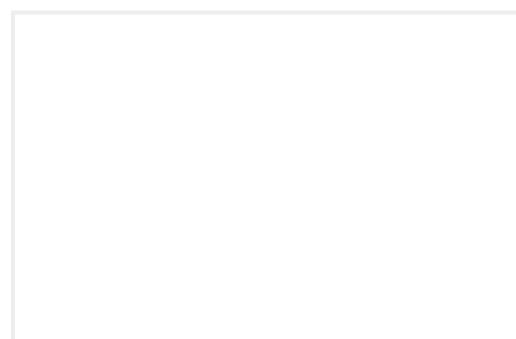
TE Part #6-2176216-5  
CPF A 0603 200K 0.1% 25PPM 1K RL



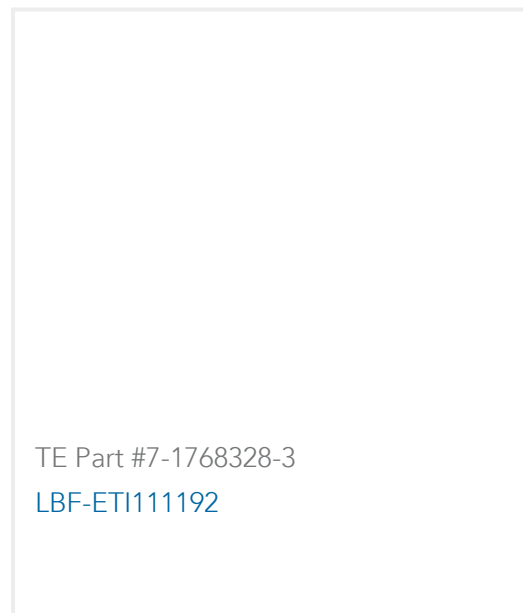
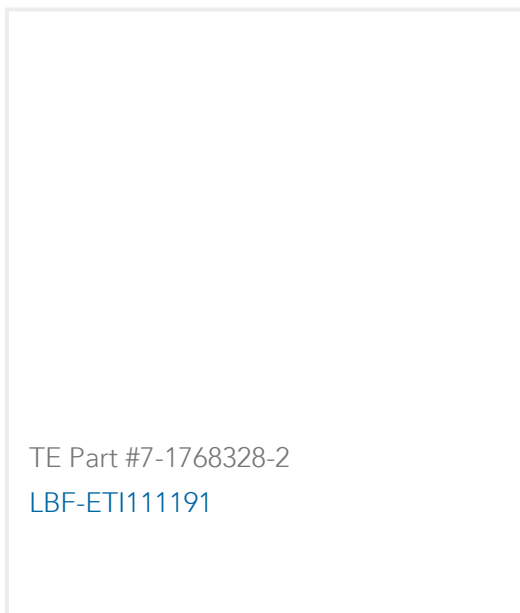
TE Part #3-2176412-4  
5W XSM M/OX 5% 120R



TE Part #5406721-2  
MJ,RJ45,SM,TGRAY,13" REEL



TE Part #1SNS420001Z2118  
ENT12206



## Documents

### Product Drawings

[TE 600W 15R 5% Bracket](#)

English

### CAD Files

[3D PDF](#)

3D

**Customer View Model**

[ENG\\_CVM\\_CVM\\_1-1879451-5\\_BB.2d\\_dxf.zip](#)

English

**Customer View Model**

[ENG\\_CVM\\_CVM\\_1-1879451-5\\_BB.3d\\_igs.zip](#)

English

**Customer View Model**

[ENG\\_CVM\\_CVM\\_1-1879451-5\\_BB.3d\\_stp.zip](#)

English

By downloading the CAD file I accept and agree to the [Terms and Conditions](#) of use.

### Datasheets & Catalog Pages

[4-1773460-6\\_RESISTIVE\\_SOLUTIONS\\_RAIL](#)

English

[1309350\\_PASSIVE\\_COMPONENT](#)

English

[High Power Wire wound Resistor Type TE Series](#)

English

[8-1773459-4\\_POWER\\_FILTERING\\_AND\\_RESISTIVE\\_SOLUTIONS\\_FOR\\_ELEVATORS\\_AND\\_ESCALATORS](#)

English