



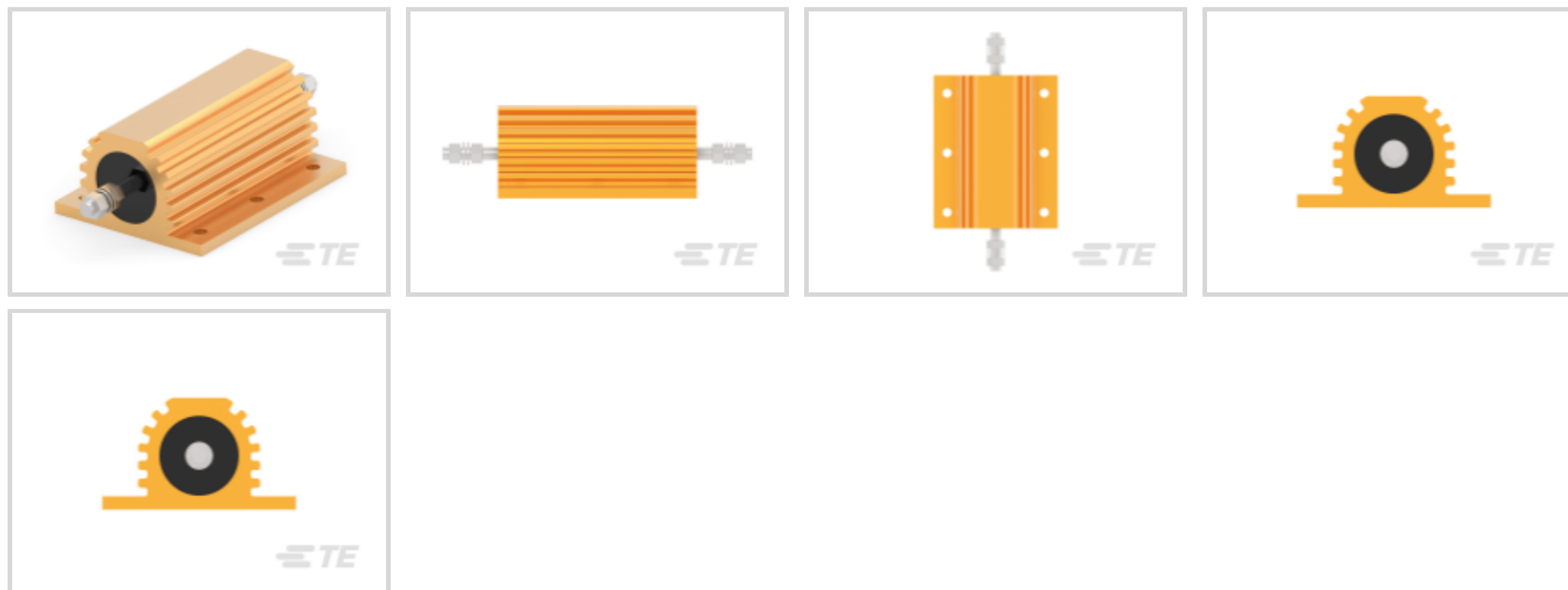
CGS | CGS HS

TE Internal #: 1630020-1

1 ohm, Wire Wound, 5 %, Power Resistor, 200 W, 2 Terminations, ±50 ppm/°C, M6 Threaded Stud, Loose Piece - Tray, 42 mm [1.654 in] Height, CGS HS

[View on TE.com >](#)

Passive Components > Resistors > Chassis Mount Resistors > Power Resistors: Aluminum Housed, NHS



Resistor Type: **Power Resistor**

Resistance Class: **Up to 1kΩ**

Resistance Value: **1 Ω**

Power Rating: **200 W**

Element Type: **Wire Wound**

[All Power Resistors: Aluminum Housed, NHS \(2\)](#)

## Features

### Product Type Features

Resistor Type	Power Resistor
Element Type	Wire Wound

### Configuration Features

Number of Resistors	1
---------------------	---

### Electrical Characteristics

Operating Voltage	1900 VAC
Resistance Class	Up to 1kΩ
Resistance Value	1 Ω
Power Rating	200 W
Passive Component Tolerance	5 %

### Termination Features

Number of Terminations	2
------------------------	---



Chassis Mount Resistor Termination Type M6 Threaded Stud

**Mechanical Attachment**

Panel Mount Feature Type Flange with Mounting Holes

**Dimensions**

Product Height 42 mm[1.654 in]

Product Length 143 mm[5.629 in]

Product Width 73 mm[2.874 in]

**Usage Conditions**

Temperature Coefficient ±50 ppm/°C

**Packaging Features**

Packaging Method Loose Piece - Tray

**Product Compliance**

[For compliance documentation, visit the product page on TE.com>](#)

EU RoHS Directive 2011/65/EU Compliant

EU ELV Directive 2000/53/EC Compliant

China RoHS 2 Directive MIIT Order No 32, 2016 有害物质含量符合标准要求 No Restricted Substance(s) Above Threshold

EU REACH Regulation (EC) No. 1907/2006 Current ECHA Candidate List: JUNE 2025 (250)  
Candidate List Declared Against: JAN 2025 (247)  
Does not contain REACH SVHC

Halogen Content Low Halogen - Br, Cl, F < 900 ppm per homogenous material. Also BFR/CFR/PVC Free

Solder Process Capability Not applicable for solder process capability

Product Compliance Disclaimer

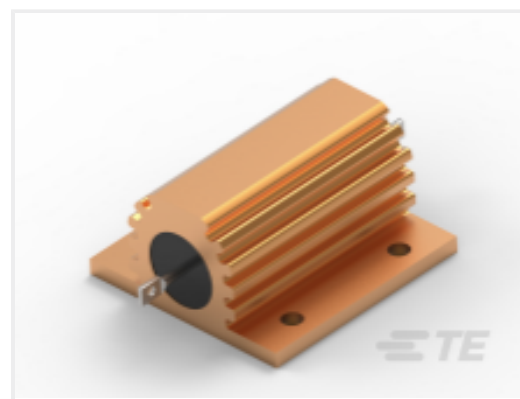
This information is provided based on reasonable inquiry of our suppliers and represents our current actual knowledge based on the information they provided. This information is subject to change. The part numbers that TE has identified as EU RoHS compliant have a maximum concentration of 0.1% by weight in homogenous materials for lead, hexavalent chromium, mercury, PBB, PBDE, DBP, BBP, DEHP, DIBP, and 0.01% for cadmium, or qualify for an exemption to these limits as defined in the Annexes of Directive 2011/65/EU (RoHS2). Finished electrical and electronic equipment products will be CE marked as required by Directive 2011/65/EU. Components may not be CE marked. Additionally, the part numbers that TE has identified as EU ELV compliant have a maximum concentration of 0.1% by weight in homogenous materials for lead, hexavalent chromium, and mercury, and 0.01% for cadmium, or qualify for an exemption to these limits as defined in the Annexes of Directive 2000/53/EC (ELV). Regarding the REACH Regulation, the information TE provides on SVHC in articles for this part number is based on the latest European Chemicals Agency (ECHA) 'Guidance on requirements for substances in articles' posted at this URL: <https://echa.europa.eu/guidance-documents/guidance-on-reach>



## Compatible Parts



TE Part # 1625999-3  
HSC100 10R 5%



TE Part # CAT-C339-H85913  
Power Resistors: Aluminum Housed, HSA



TE Part # 1630027-1  
HSC300 100R 5%

## Also in the Series | CGS HS



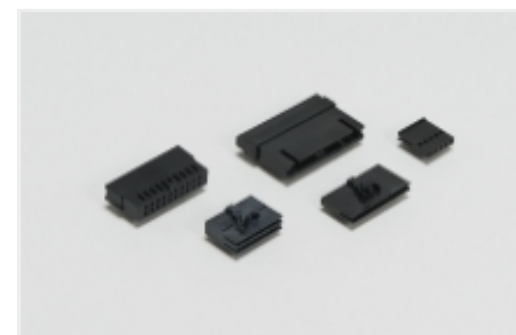
Automotive Housings(1)



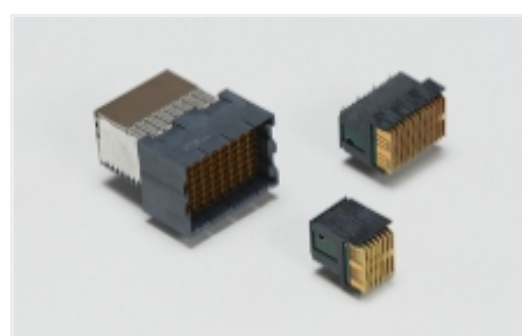
Automotive Signal & Power Connector Housings(1)



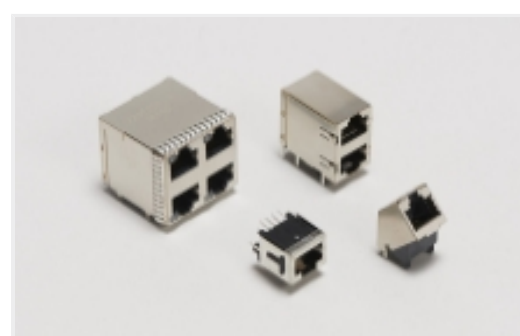
Card Edge Connector Housings(1)



FFC Connectors(1)



High Speed Backplane Connectors(10)



RJ45 Connectors(1)

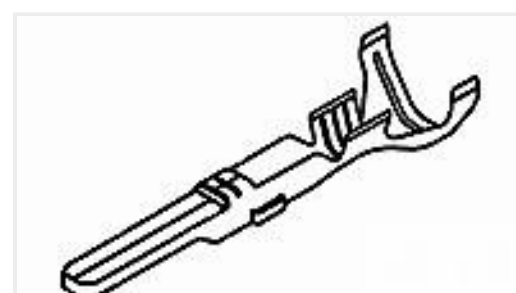
## Customers Also Bought



TE Part #32562  
PIDG SPDFLG 22-16COMM22-18MIL6



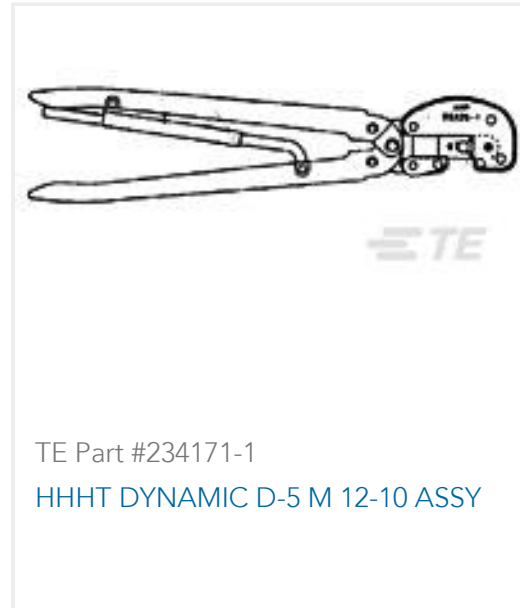
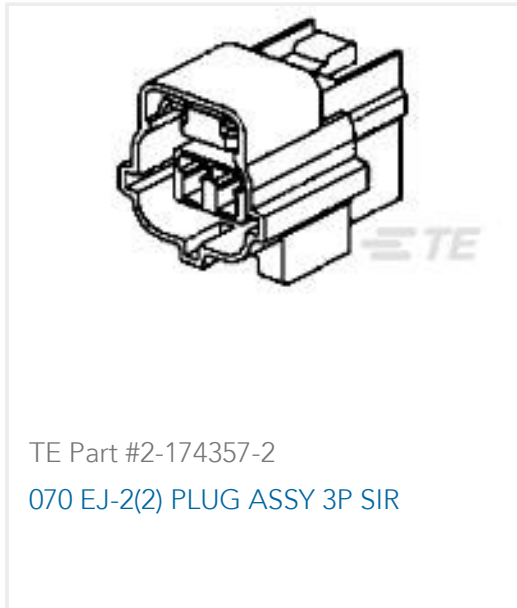
TE Part #2-34080-1  
PIDG SPD 22-16 COMM 22-18MIL 6



TE Part #171631-2  
070 TAB CONT GOLD



TE Part #171662-5  
E-J MK-2 070 USA REV A ONLY



## Documents

### Product Drawings

[NHSC200 1R0 5%](#)

English

### CAD Files

Customer View Model

[ENG\\_CVM\\_CVM\\_1630020-1\\_F.2d\\_dxf.zip](#)

English

3D PDF

3D

Customer View Model

[ENG\\_CVM\\_CVM\\_1630020-1\\_F.3d\\_igs.zip](#)

English

Customer View Model

[ENG\\_CVM\\_CVM\\_1630020-1\\_F.3d\\_stp.zip](#)

English

By downloading the CAD file I accept and agree to the [Terms and Conditions](#) of use.

### Datasheets & Catalog Pages

[1309350\\_PASSIVE\\_COMPONENT](#)

English

[8-1773459-4\\_POWER\\_FILTERING\\_AND\\_RESISTIVE\\_SOLUTIONS\\_FOR\\_ELEVATORS\\_AND\\_ESCALATORS](#)

English