

8-Bit I2C-Bus and SMBus Low Power I/O Port with Interrupt and Reset

Features

- Operation Power Supply Voltage from 2.3V to 5.5V
- 8-bit I²C-bus GPIO with Interrupt and Reset
- 5V Tolerant I/Os
- Active Low Interrupt Output
- Active Low Reset Input
- Polarity Inversion Register
- Low Current Consumption
- 0Hz to 400KHz Clock Frequency
- Noise Filter on SCL/SDA Inputs
- Power-on Reset
- ESD Protection (4KV HBM and 1KV CDM)
- Totally Lead-Free & Fully RoHS Compliant (Notes 1 & 2)
- Halogen and Antimony Free. "Green" Device (Note 3)
- For automotive applications requiring specific change control (i.e. parts qualified to AEC-Q100/101/104/200, PPAP capable, and manufactured in IATF 16949 certified facilities), please [contact us](mailto:contact_us) or your local Diodes representative.
<https://www.diodes.com/quality/product-definitions>
- Packaging (Pb-free & Green available):
 - TSSOP-16 (L)
 - TQFN 4x4-16 (ZY)

Description

The DIODES™ PI4IOE5V9538 provides 8 bits of General Purpose parallel Input/Output (GPIO) expansion for I²C-bus/ SMBus applications. It includes the features such as higher driving capability, 5V tolerance, lower power supply, individual I/O configuration, and smaller packaging. It provides a simple solution when additional I/O is needed for ACPI power switches, sensors, push buttons, LEDs, fans, etc.

The PI4IOE5V9538 consists of an 8-bit register to configure the I/Os as either inputs or outputs, and two 8-bit polarity registers to change the polarity of the input port register data. The data for each input or output is kept in the corresponding Input port or Output port register. All registers can be read by the system master.

The PI4IOE5V9538 open-drain interrupt output ($\overline{\text{INT}}$) is activated when any input state and is used to indicate the system master that an input state has changed.

The power-on reset sets the registers to their default values and initializes the device state machine. The Reset pin causes the same reset/initialization to occur without de-powering the device.

Two hardware pins (A0 and A1) vary the fixed I2C-bus address and allow up to four devices to share the same I2C-bus/SMBus.

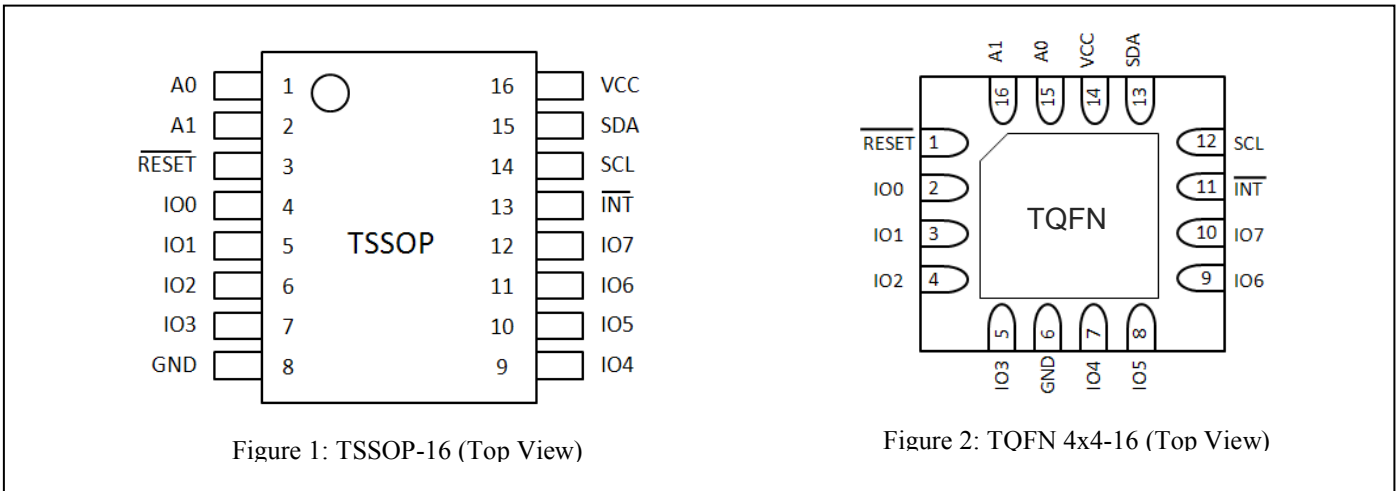
Notes:

1. No purposely added lead. Fully EU Directive 2002/95/EC (RoHS), 2011/65/EU (RoHS 2) & 2015/863/EU (RoHS 3) compliant.
2. See <https://www.diodes.com/quality/lead-free/> for more information about Diodes Incorporated's definitions of Halogen- and Antimony-free, "Green" and Lead-free.
3. Halogen- and Antimony-free "Green" products are defined as those which contain <900ppm bromine, <900ppm chlorine (<1500ppm total Br + Cl) and <1000ppm antimony compounds.

DIODES is a trademark of Diodes Incorporated in the United States and other countries.

The Diodes logo is a registered trademark of Diodes Incorporated in the United States and other countries.

Pin Configuration



Pin Description

TSSOP Pin#	TDFN Pin #	Name	Type	Description
1	15	A0	I	address input 0
2	16	A1	I	address input 1
3	1	RESET	I	Reset pin
4	2	IO0	I/O	input/output 0
5	3	IO1	I/O	input/output 1
6	4	IO2	I/O	input/output 2
7	5	IO3	I/O	input/output 3
8	6	GND	G	supply ground
9	7	IO4	I/O	input/output 4
10	8	IO5	I/O	input/output 5
11	9	IO6	I/O	input/output 6
12	10	IO7	I/O	input/output 7
13	11	INT	O	Interrupt output (open-drain)
14	12	SCL	I/O	Serial clock line
15	13	SDA	I/O	Serial data line
16	14	VCC	P	Power supply

* I = Input; O = Output; P = Power; G = Ground

Maximum Ratings

Power Supply.....	-0.5V to +6.0V
Voltage on an I/O Pin.....	GND-0.5V to +6.0V
Input Current.....	±20mA
Output Current on an I/O Pin.....	±50mA
Supply Current.....	85mA
Ground Supply Current.....	100mA
Total Power Dissipation.....	200mW
Operation Temperature.....	-40~85°C
Storage Temperature.....	-65~150°C
Maximum Junction Temperature, T _j (max).....	125°C

Note:

Stresses greater than those listed under MAXIMUM RATINGS may cause permanent damage to the device. This is a stress rating only and functional operation of the device at these or any other conditions above those indicated in the operational sections of this specification is not implied. Exposure to absolute maximum rating conditions for extended periods may affect reliability.

Static Characteristics

VCC = 2.3 V to 5.5 V; GND = 0 V; Tamb = -40 °C to +85 °C; unless otherwise specified.

Symbol	Parameter	Conditions	Min.	Typ.	Max.	Unit
Power Supply						
VCC	Supply voltage		2.3	-	5.5	V
I _{CC}	Supply current	Operating mode; VCC = 5.5 V; no load; fSCL = 400 kHz	-	40	60	μA
		Operating mode; VCC = 2.3 V; no load; fSCL = 400 kHz		10	20	μA
I _{sb}	Standby current	Standby mode; VCC = 5.5 V; no load; VI = GND; fSCL = 0 kHz; I/O = inputs	-	0.25	1	μA
I _{sb}	Standby current	Standby mode; VCC = 5.5 V; no load; VI = VCC; fSCL = 0 kHz; I/O = inputs		0.25	1	μA
V _{POR}	Power-on reset voltage ^[1]		-	1.16	1.41	V
Input SCL, Input/Output SDA						
V _{IL}	Low level input voltage		-0.5	-	+0.3VCC	V
V _{IH}	High level input voltage		0.7VCC	-	5.5	V
I _{OL}	Low level output current	V _{OL} = 0.4V	3	7	-	mA
I _L	Leakage current	V _I = VCC = GND	-1	-	1	μA
C _i	Input capacitance	V _I = GND	-	5	10	pF
I/Os						
V _{IL}	Low level input voltage		-0.5	-	+0.81	V
V _{IH}	High level input voltage		+1.8	-	5.5	V
I _{OL}	Low level output current	VCC = 2.3 V; V _{OL} = 0.5 V ^[2]	8	10	-	mA
		VCC = 2.3 V; V _{OL} = 0.7 V ^[2]	10	13	-	mA
		VCC = 3.0 V; V _{OL} = 0.5 V ^[2]	8	14	-	mA
		VCC = 3.0 V; V _{OL} = 0.7 V ^[2]	10	19	-	mA
		VCC = 4.5 V; V _{OL} = 0.5 V ^[2]	8	17	-	mA
		VCC = 4.5 V; V _{OL} = 0.7 V ^[2]	10	24	-	mA
V _{OH}	High level output voltage	I _{OH} = -8mA; VCC = 2.3V ^[3]	1.8	-	-	V
		I _{OH} = -10mA; VCC = 2.3V ^[3]	1.7	-	-	V
		I _{OH} = -8mA; VCC = 3.0V ^[3]	2.6	-	-	V
		I _{OH} = -10mA; VCC = 3.0V ^[3]	2.5	-	-	V
		I _{OH} = -8mA; VCC = 4.75V ^[3]	4.1	-	-	V

Symbol	Parameter	Conditions	Min.	Typ.	Max.	Unit
		$I_{OH}=-10\text{mA}; V_{CC}=4.75\text{V}^{[3]}$	4.0	-	-	V
I_{LI}	Input leakage current	$V_{CC}=3.6\text{V}; V_I=V_{CC}=GND$	-1	-	1	μA
C_i	Input capacitance		-	5	10	pF
Interrupt $\overline{\text{INT}}$						
I_{OL}	Low level output current	$V_{OL}=0.4\text{V}$	3	13	-	mA
I_{OH}	High level input voltage	$V_{OL}=0.4\text{V}$	-1		+1	μA
Select Inputs A0,A1 and $\overline{\text{RESET}}$						
V_{IL}	Low level input voltage		-0.5	-	+0.81	V
V_{IH}	High level input voltage		+1.8	-	5.5	V
I_L	Input leakage current	$V_I=V_{CC}=GND$	-1		1	μA

- Note:
- [1]: VCC must be lowered to 0.2 V for at least 5 μs in order to reset part.
 - [2]: Each I/O must be externally limited to a maximum of 25 mA and each octal (IO0 to IO7) must be limited to a maximum current of 100 mA for a device total of 200 mA.
 - [3]: The total current sourced by all I/Os must be limited to 160 mA.

Dynamic Characteristics

Symbol	Parameter	Test Conditions	Standard mode I ² C		Fast mode I ² C		Unit
			Min.	Max.	Min.	Max.	
f _{SCL}	SCL clock frequency		0	100	0	400	kHz
t _{BUF}	bus free time between a STOP and START condition		4.7	-	1.3	-	μs
t _{HD;STA}	hold time (repeated) START condition		4.0	-	0.6	-	μs
t _{SU;STA}	set-up time for a repeated START condition		4.7	-	0.6	-	μs
t _{SU;STO}	set-up time for STOP condition		4.0	-	0.6	-	μs
t _{VD;ACK} ^[1]	data valid acknowledge time		-	3.45	-	0.9	μs
t _{HD;DAT} ^[2]	data hold time		0	-	0	-	ns
t _{VD;DAT}	data valid time		-	3.45	-	0.9	μs
t _{SU;DAT}	data set-up time		250	-	100	-	ns
t _{LOW}	LOW period of the SCL clock		4.7	-	1.3	-	μs
t _{HIGH}	HIGH period of the SCL clock		4.0	-	0.6	-	μs
t _f	fall time of both SDA and SCL signals		-	300	-	300	ns
t _r	rise time of both SDA and SCL signals		-	1000	-	300	ns
t _{SP}	pulse width of spikes that must be suppressed by the input filter		-	50	-	50	ns
Port Timing							
t _{v(Q)}	Data output valid time ^[4]		-	200	-	200	ns
t _{su(D)}	Data input set-up time		100	-	100	-	ns
t _{h(D)}	Data input hold time		1	-	1	-	μs
Interrupt Timing							
t _{v(INT)}	Valid time on pin $\overline{\text{INT}}$		-	4	-	4	μs
t _{rst(INT)}	Reset time on pin $\overline{\text{INT}}$		-	4	-	4	μs
RESET Timing							
t _{w(rst)}	Reset pulse width		25	-	25	-	ns
t _{vrec(rst)}	Reset recovery time ^[5]		0	-	0	-	ns
T _{rst}	Reset time		1	-	1	-	us

Note:

[1]: t_{VD;ACK} = time for acknowledgement signal from SCL LOW to SDA (out) LOW.

[2]: t_{VD;DAT} = minimum time for SDA data out to be valid following SCL LOW.

[3]: C_b = total capacitance of one bus line in pF.

[4]: t_{v(Q)} measured from 0.7V_{CC} on SCL to 50% I/O output.

[5]: To reset the device while actively communicating on the bus may cause glitches or errant STOP conditions.

Upon reset, the full delay will be the sum of t_{rst} and RC time constant of SDA bus.

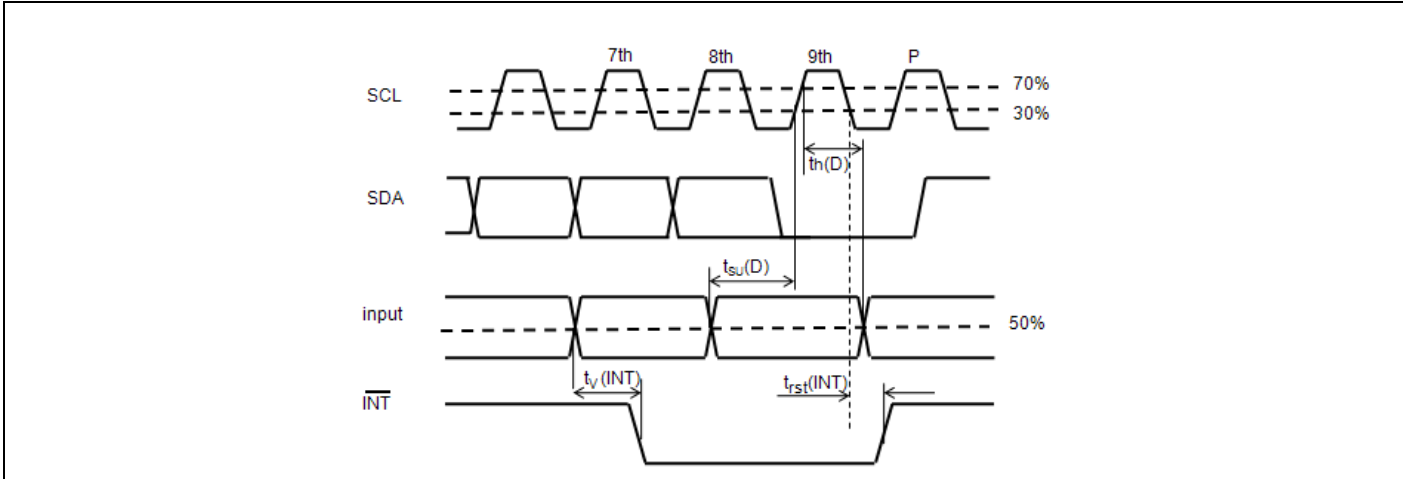
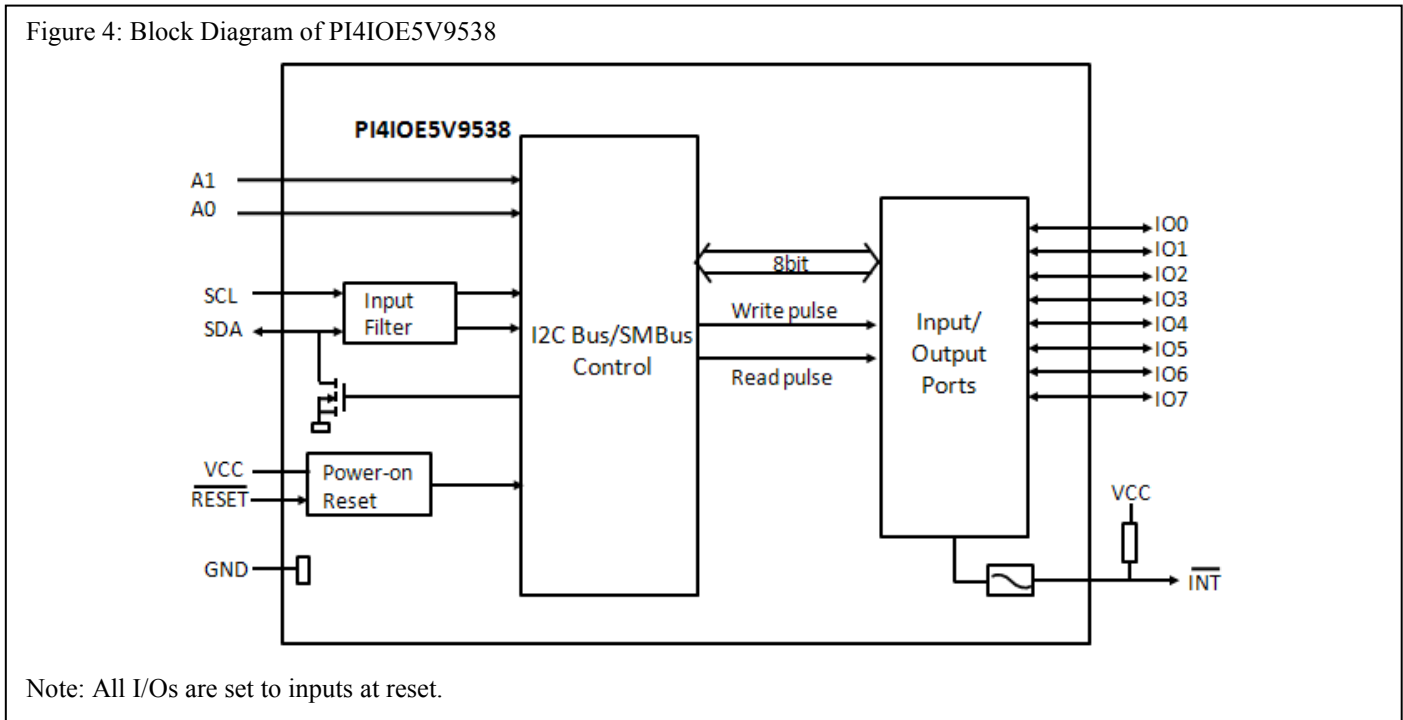


Figure 3: Timing Parameters for INT Signal

Block Diagram



Note: All I/Os are set to inputs at reset.

Details Description

a. Device Address

Table 1: Device Address

	b7(MSB)	b6	b5	b4	b3	b2	b1	b0
Address Byte	1	1	1	0	0	A1	A0	R/W

Note: Read “1”, Write “0”

b. Registers

i. Command Byte

The command byte is the first byte to follow the address byte during a write transmission. It is used as a pointer to determine which of the following registers will be written or read.

Table 2: Command Byte

Command	Register
0	Input port register
1	Output port register
2	Polarity inversion register
3	Configuration register

ii. Register 0: Input Port Registers

This register is a read-only port. It reflects the incoming logic levels of the pins, regardless of whether the pin is defined as an input or an output by Register 2. Writes to this register have no effect.

The default value ‘X’ is determined by the externally applied logic level.

Table 3: Input Port 0 Register

Bit	7	6	5	4	3	2	1	0
Symbol	I7	I6	I5	I4	I3	I2	I1	I0
Default	X	X	X	X	X	X	X	X

iii. Register 1: Output Port Register

This register is an output-only port. It reflects the outgoing logic levels of the pins defined as outputs by Registers 3. Bit values in this register have no effect on pins defined as inputs. In turn, reads from this register reflect the value that is in the flip-flop controlling the output selection, not the actual pin value.

Table 4: Output Port 0 Register

Bit	7	6	5	4	3	2	1	0
Symbol	O7	O6	O5	O4	O3	O2	O1	O0
Default	1	1	1	1	1	1	1	1

iv. Register 2: Polarity Inversion Register

This register allows the user to invert the polarity of the Input port register data. If a bit in this register is set (written with '1'), the Input port data polarity is inverted. If a bit in this register is cleared (written with a '0'), the Input port data polarity is retained.

Table 5: Polarity Inversion Port 0 Register

Bit	7	6	5	4	3	2	1	0
Symbol	N7	N6	N5	N4	N3	N2	N1	N0
Default	0	0	0	0	0	0	0	0

v. Register 3: Configuration Registers

This register configures the directions of the I/O pins. If a bit in this register is set (written with '1'), the corresponding port pin is enabled as an input with high-impedance output driver. If a bit in this register is cleared (written with '0'), the corresponding port pin is enabled as an output. At reset, the IOs are configured as inputs.

Table 6: Configuration Port 0 Register

Bit	7	6	5	4	3	2	1	0
Symbol	C7	C6	C5	C4	C3	C2	C1	C0
Default	1	1	1	1	1	1	1	1

c. Power-On Reset

When power is applied to VCC, an internal power-on reset holds the PI4IOE5V9538 in a reset condition until VCC has reached VPOR. At that point, the reset condition is released and the PI4IOE5V9538 registers and SMBus state machine will initialize to their default states. Thereafter, VCC must be lowered below 0.2 V to reset the device. For a power reset cycle, VCC must be lowered below 0.2 V and then restored to the operating voltage.

d. RESET Input

A reset can be accomplished by holding the $\overline{\text{RESET}}$ pin LOW for a minimum of $t_{w(\text{rst})}$. The PI4IOE5V9538 registers and SMBus/I2C-bus state machine will be held in their default state until the $\overline{\text{RESET}}$ input is once again HIGH. This input requires a pull-up resistor to VDD if no active connection is used.

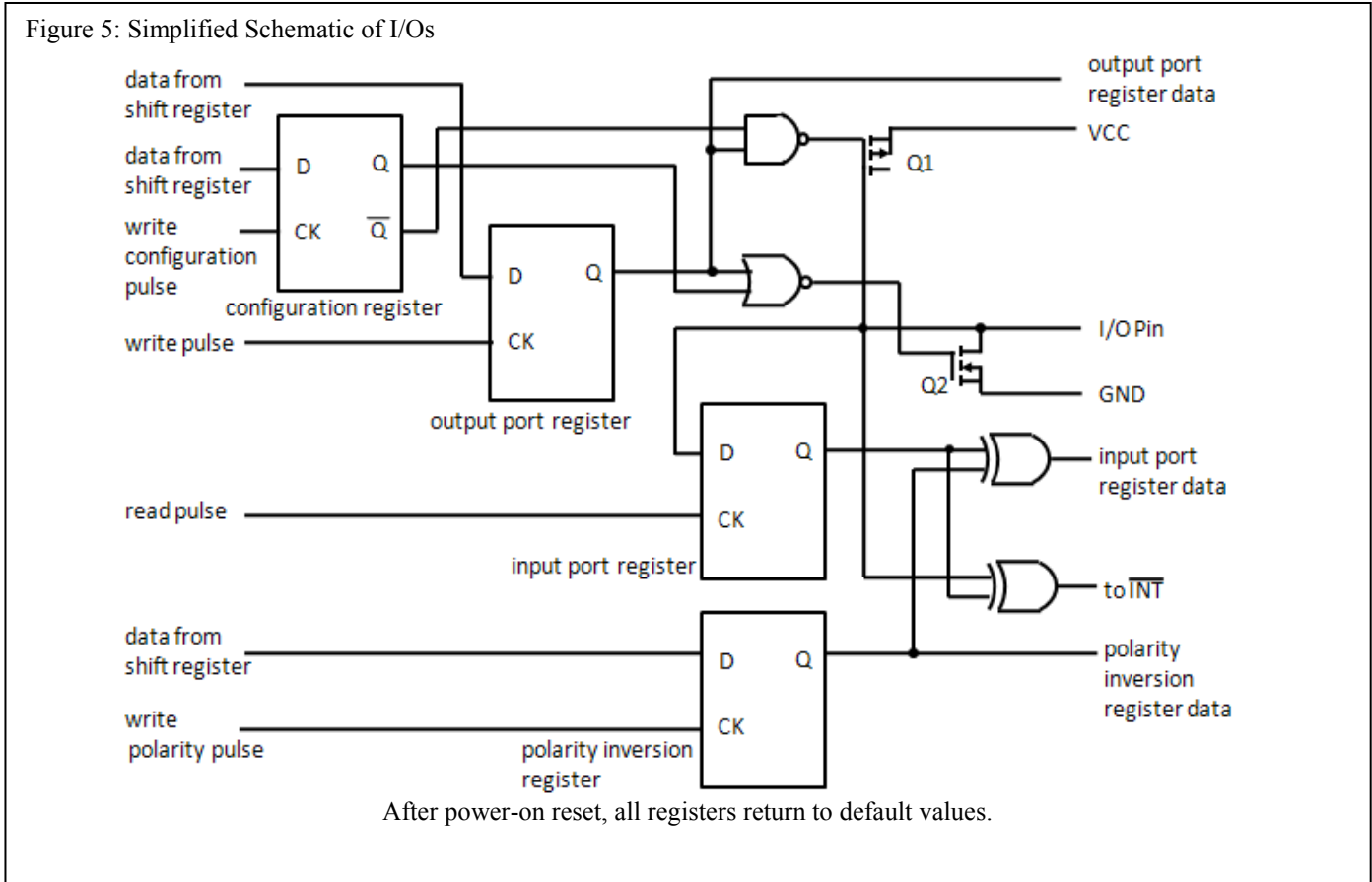
e. Interrupt Output

The open-drain interrupt output ($\overline{\text{INT}}$) is activated when one of the port pins changes state and the pin is configured as an input. The interrupt is de-activated when the input returns to its previous state or the Input Port register is read. Note that changing an I/O from an output to an input may cause a false interrupt to occur if the state of the pin does not match the contents of the input Port register.

f. I/O Port

When an I/O is configured as an input, FETs Q1 and Q2 are off, creating a high-impedance input. The input voltage may be raised above VCC to a maximum of 5.5 V.

If the I/O is configured as an output, then either Q1 or Q2 is on, depending on the state of the Output Port register. Care should be exercised if an external voltage is applied to an I/O configured as an output because of the low-impedance path that exists between the pin and either VCC or GND.



g. Bus Transaction

Data is transmitted to the PI4IOE5V9538 using the Write mode as shown in Figure 6. Data is read from the PI4IOE5V9538 using the read mode as shown in Figure 8. These devices do not implement an auto-increment function, so once a command byte has been sent, the register which was addressed will continue to be accessed by reads until a new command byte has been sent.

Figure 6: Write to Output Registers

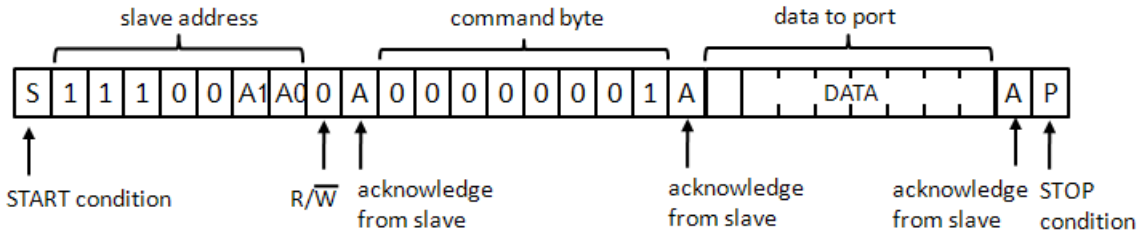


Figure 7: Write to Polarity Inversion Registers

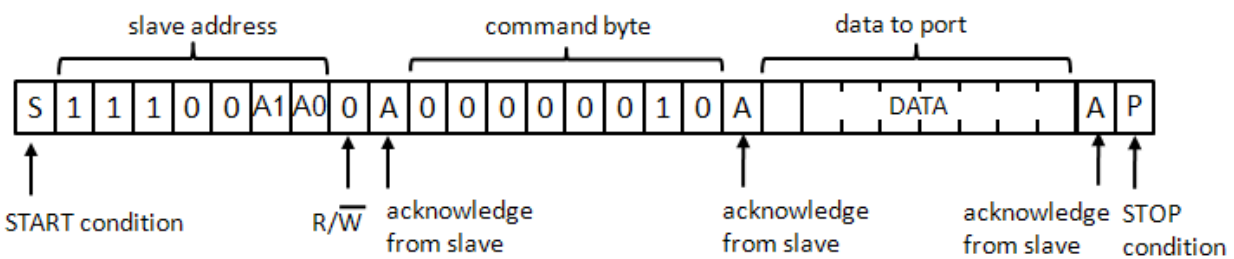
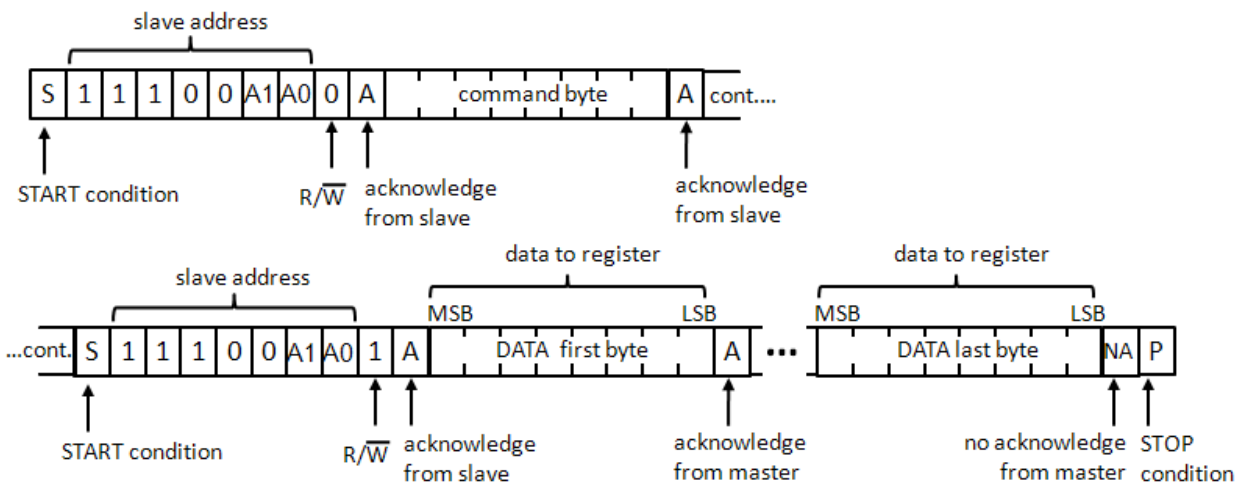
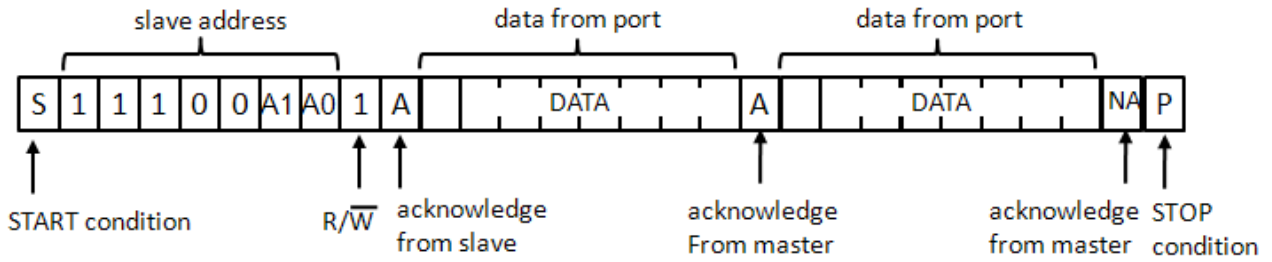


Figure 8: Read from Registers



Note: Transfer can be stopped at any time by a STOP condition.

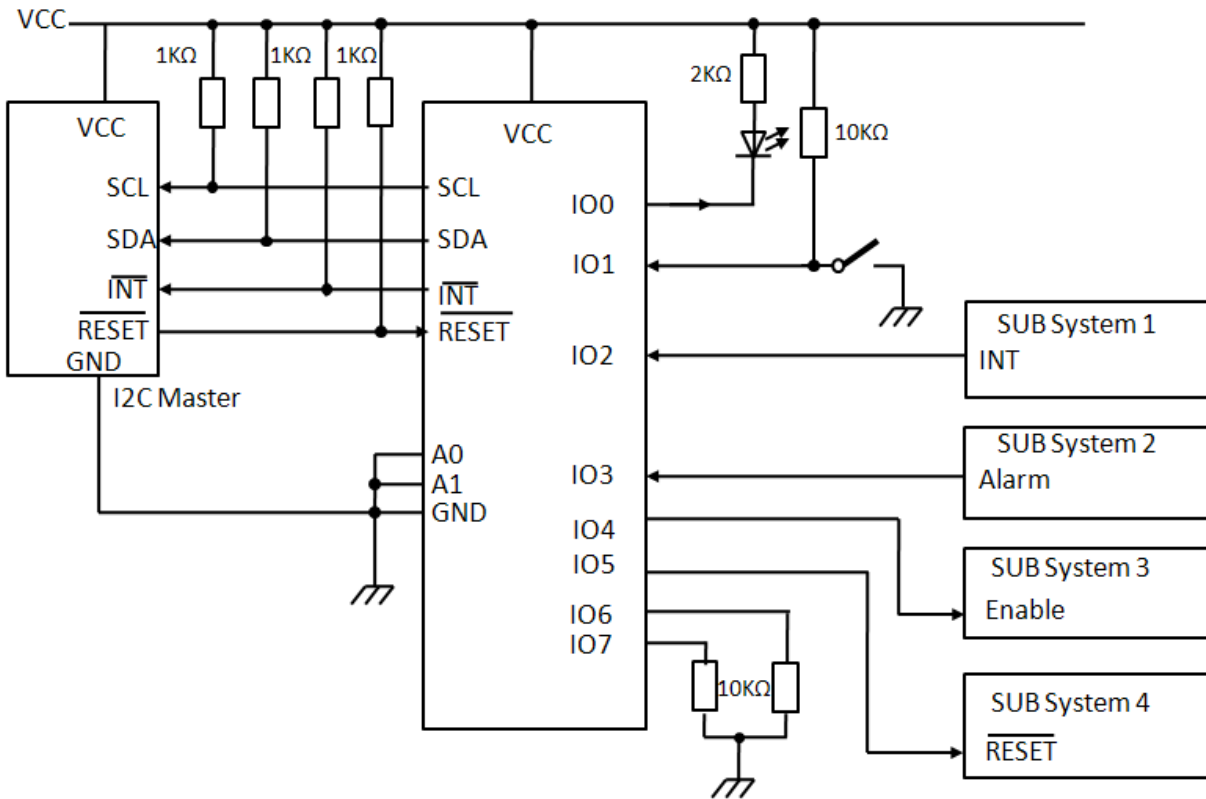
Figure 9: Read Input Port Register



Note: Transfer of data can be stopped at any moment by a STOP condition. When this occurs, data present at the latest acknowledge phase is valid (output mode). It is assumed that the command byte has previously been set to '00' (read Input Port register).

Application Design-in Information

Figure 10: Typical Application

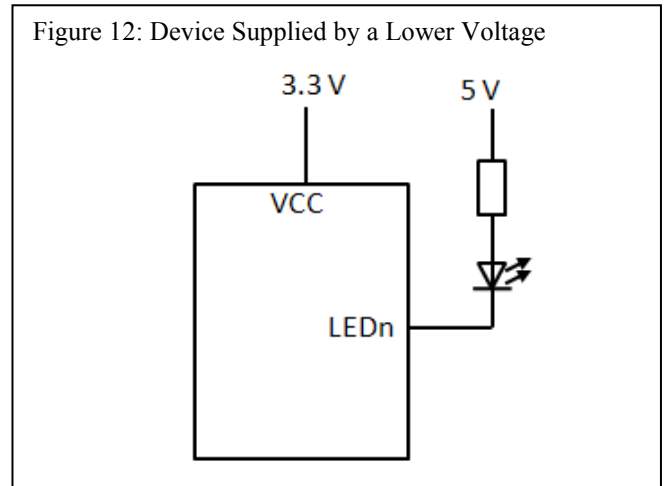
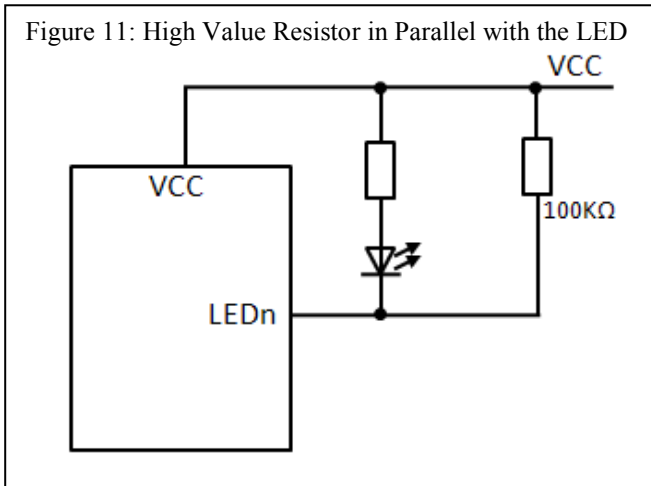


IO0, IO4, IO5, IO6, IO7 configured as outputs.
IO1, IO2, IO3 configured as inputs.

Minimizing ICC when the I/Os are used to control LEDs

When the I/Os are used to control LEDs, they are normally connected to VCC through a resistor as shown in Figure 11. Since the LED acts as a diode, when the LED is off the I/O V_I is about 1.2 V less than VCC. The supply current, ICC, increases as V_I becomes lower than VCC.

Designs need minimize current consumption, such as battery power applications, should consider maintaining the I/O pins greater than or equal to VCC when the LED is off. Figure 11 shows a high value resistor in parallel with the LED. Figure 12 shows VCC less than the LED supply voltage by at least 1.2 V. Both of these methods maintain the I/O V_I at or above VCC and prevent additional supply current consumption when the LED is off.



Part Marking

L Package



Z: Die Rev
Y: Year
W: Workweek
1st X: Assembly Site Code
2nd X: Fab Site Code
Bar above fab code means Cu wire

ZY Package



Z: Die Rev
Y: Date Code (Year)
W: Date Code (Workweek)
1st X: Assembly Site Code
2nd X: Fab Site Code
Bar above 2nd "X" means Cu wire

Packaging Mechanical

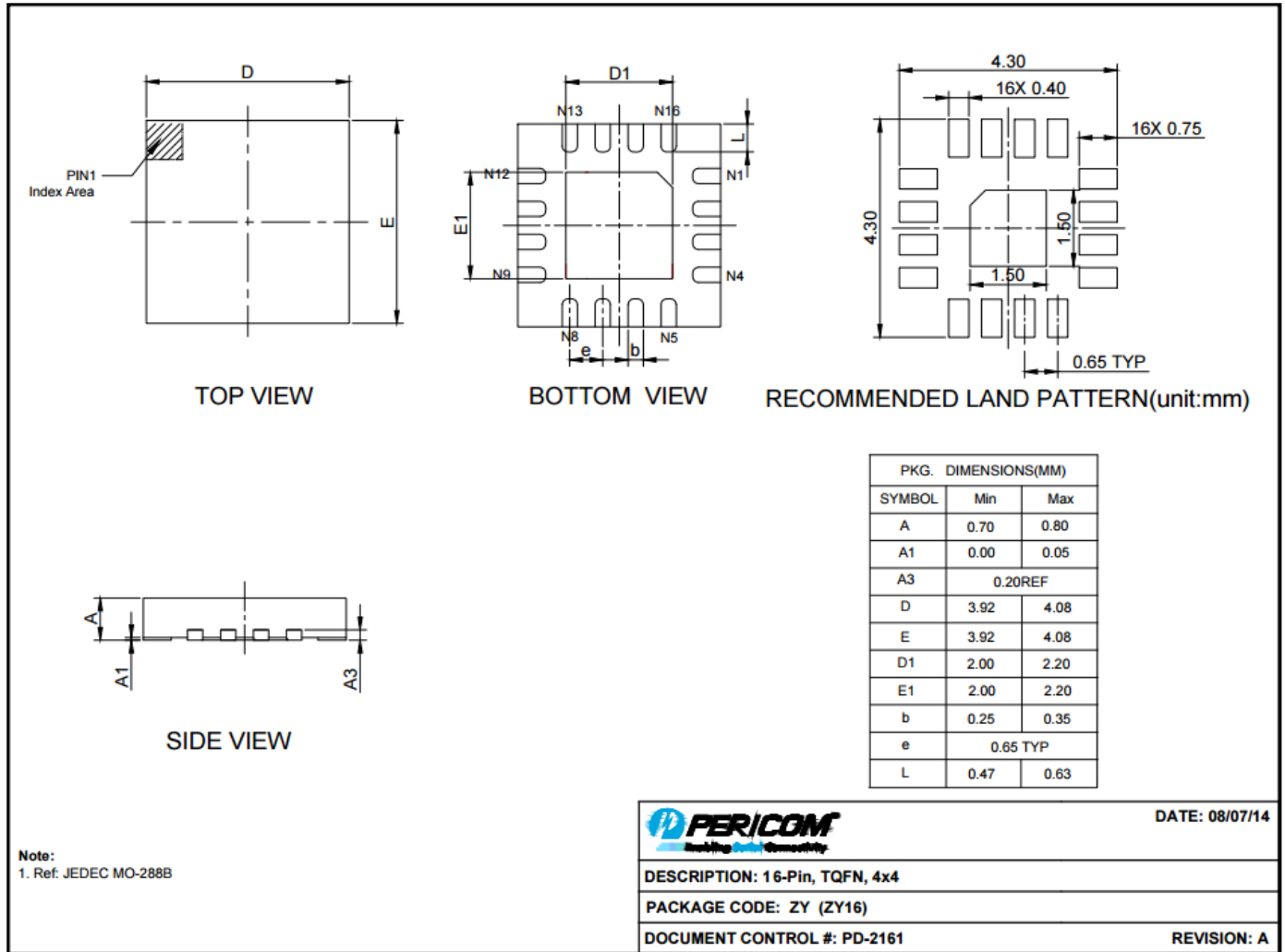
TSSOP-16 (L)

SYMBOLS	MIN.	NOM.	MAX.
A	–	–	1.20
A1	0.05	–	0.15
A2	0.80	1.00	1.05
b	0.19	–	0.30
c	0.09	–	0.20
D	4.90	5.00	5.10
E1	4.30	4.40	4.50
E	6.20	6.40	6.60
e	0.65 BSC		
L1	1.00 REF		
L	0.45	0.60	0.75
S	0.20	–	–
θ	0°	–	8°

NOTES:
 1. ALL DIMENSIONS IN MILLIMETERS. ANGLES IN DEGREES.
 2. JEDEC MO-153F
 3. DIMENSIONS DOES NOT INCLUDE MOLD FLASH, PROTRUSIONS OR GATE BURRS.

		DATE: 03/24/16
DESCRIPTION: 16-Pin, 173mil Wide TSSOP		
PACKAGE CODE: L (L16)		
DOCUMENT CONTROL #: PD-1310		REVISION: G

TQFN-16 (ZY)



14-0209

For latest package info.

please check: <http://www.diodes.com/design/support/packaging/pericom-packaging/packaging-mechanicals-and-thermal-characteristics/>

Ordering Information

Part Numbers	Package Code	Package
PI4IOE5V9538LEX	L	16-Pin, 173 mil Wide (TSSOP)
PI4IOE5V9538ZYEX	ZY	16-Pin, 4x4 (TQFN) (Please contact the local Diodes sales)

Notes:

- No purposely added lead. Fully EU Directive 2002/95/EC (RoHS), 2011/65/EU (RoHS 2) & 2015/863/EU (RoHS 3) compliant.
- See <https://www.diodes.com/quality/lead-free/> for more information about Diodes Incorporated's definitions of Halogen- and Antimony-free, "Green" and Lead-free.
- Halogen- and Antimony-free "Green" products are defined as those which contain <900ppm bromine, <900ppm chlorine (<1500ppm total Br + Cl) and <1000ppm antimony compounds.
- E = Pb-free and Green
- X suffix = Tape/Reel

IMPORTANT NOTICE

1. DIODES INCORPORATED (Diodes) AND ITS SUBSIDIARIES MAKE NO WARRANTY OF ANY KIND, EXPRESS OR IMPLIED, WITH REGARDS TO ANY INFORMATION CONTAINED IN THIS DOCUMENT, INCLUDING, BUT NOT LIMITED TO, THE IMPLIED WARRANTIES OF MERCHANTABILITY, FITNESS FOR A PARTICULAR PURPOSE OR NON-INFRINGEMENT OF THIRD PARTY INTELLECTUAL PROPERTY RIGHTS (AND THEIR EQUIVALENTS UNDER THE LAWS OF ANY JURISDICTION).

2. The Information contained herein is for informational purpose only and is provided only to illustrate the operation of Diodes' products described herein and application examples. Diodes does not assume any liability arising out of the application or use of this document or any product described herein. This document is intended for skilled and technically trained engineering customers and users who design with Diodes' products. Diodes' products may be used to facilitate safety-related applications; however, in all instances customers and users are responsible for (a) selecting the appropriate Diodes products for their applications, (b) evaluating the suitability of Diodes' products for their intended applications, (c) ensuring their applications, which incorporate Diodes' products, comply the applicable legal and regulatory requirements as well as safety and functional-safety related standards, and (d) ensuring they design with appropriate safeguards (including testing, validation, quality control techniques, redundancy, malfunction prevention, and appropriate treatment for aging degradation) to minimize the risks associated with their applications.

3. Diodes assumes no liability for any application-related information, support, assistance or feedback that may be provided by Diodes from time to time. Any customer or user of this document or products described herein will assume all risks and liabilities associated with such use, and will hold Diodes and all companies whose products are represented herein or on Diodes' websites, harmless against all damages and liabilities.

4. Products described herein may be covered by one or more United States, international or foreign patents and pending patent applications. Product names and markings noted herein may also be covered by one or more United States, international or foreign trademarks and trademark applications. Diodes does not convey any license under any of its intellectual property rights or the rights of any third parties (including third parties whose products and services may be described in this document or on Diodes' website) under this document.

5. Diodes' products are provided subject to Diodes' Standard Terms and Conditions of Sale (<https://www.diodes.com/about/company/terms-and-conditions/terms-and-conditions-of-sales/>) or other applicable terms. This document does not alter or expand the applicable warranties provided by Diodes. Diodes does not warrant or accept any liability whatsoever in respect of any products purchased through unauthorized sales channel.

6. Diodes' products and technology may not be used for or incorporated into any products or systems whose manufacture, use or sale is prohibited under any applicable laws and regulations. Should customers or users use Diodes' products in contravention of any applicable laws or regulations, or for any unintended or unauthorized application, customers and users will (a) be solely responsible for any damages, losses or penalties arising in connection therewith or as a result thereof, and (b) indemnify and hold Diodes and its representatives and agents harmless against any and all claims, damages, expenses, and attorney fees arising out of, directly or indirectly, any claim relating to any noncompliance with the applicable laws and regulations, as well as any unintended or unauthorized application.

7. While efforts have been made to ensure the information contained in this document is accurate, complete and current, it may contain technical inaccuracies, omissions and typographical errors. Diodes does not warrant that information contained in this document is error-free and Diodes is under no obligation to update or otherwise correct this information. Notwithstanding the foregoing, Diodes reserves the right to make modifications, enhancements, improvements, corrections or other changes without further notice to this document and any product described herein. This document is written in English but may be translated into multiple languages for reference. Only the English version of this document is the final and determinative format released by Diodes.

8. Any unauthorized copying, modification, distribution, transmission, display or other use of this document (or any portion hereof) is prohibited. Diodes assumes no responsibility for any losses incurred by the customers or users or any third parties arising from any such unauthorized use.

9. This Notice may be periodically updated with the most recent version available at <https://www.diodes.com/about/company/terms-and-conditions/important-notice>

DIODES is a trademark of Diodes Incorporated in the United States and other countries.
The Diodes logo is a registered trademark of Diodes Incorporated in the United States and other countries.
© 2022 Diodes Incorporated. All Rights Reserved.

www.diodes.com