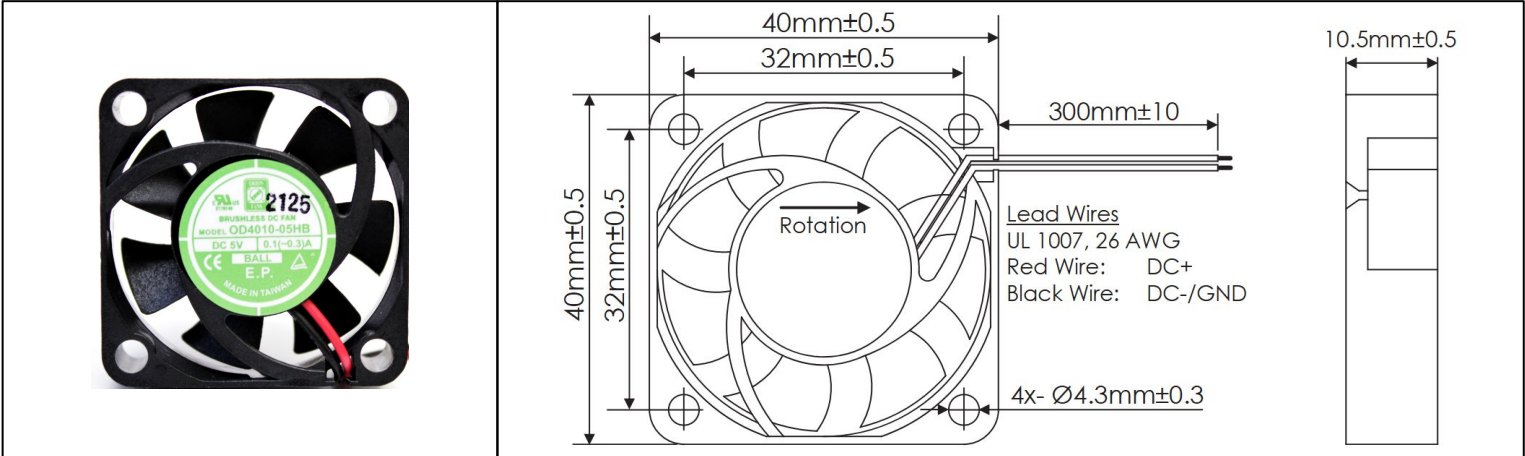


OD4010 Series



DC Fans - 5, 12, 24V
40mm x 10.5mm (1.6" x 0.4")



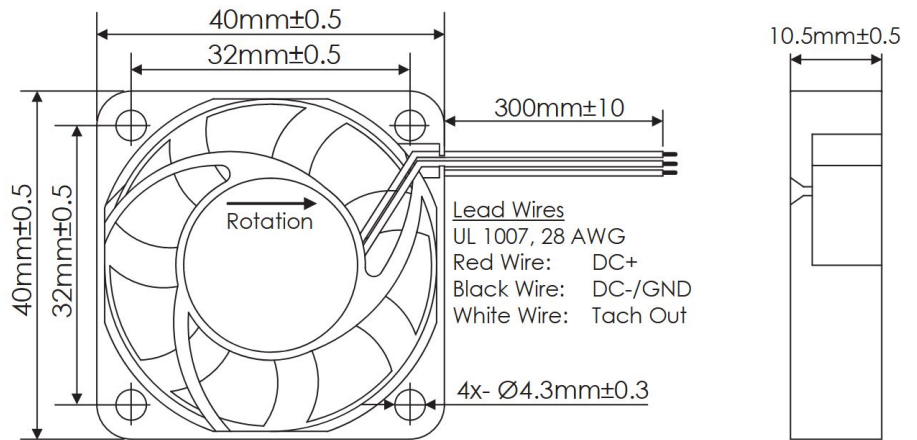
Frame	PBT, UL94 V-0 Plastic	Operating Temperature -20°C ~ +65°C Storage Temperature -20°C ~ +75°C Life Expectancy 70,000 Hours (L10 at 40°C) Available Options PWM Speed Control Input Tachometer Output Alarm Output IP Ratings Sealed Sleeve Bearings Weight: 0.05 lbs.	
Impeller	PBT, UL94 V-0 Plastic		
Connection	2x Lead Wires, 26 AWG		
Motor	Brushless DC, Auto Restart, Polarity Protected, Electronically Protected		
Bearing System	Dual Ball Bearings		
Dielectric Strength	500VDC/min, <1mA		
Insulation Resistance	≥10MΩ @ 500 VDC		

Part Number	Rated Voltage (Volts DC)	Voltage Range (Volts DC)	Input Power (Watts)(Max)	Rated Current (Amps)(Max)	Rated Speed (RPM)	Max Airflow (CFM)	Noise Level (dBA)	Max Static Pressure ("H ₂ O)
OD4010-05HHB	5	4.5 ~ 5.5	1.50	0.10 (0.30)	10000	12	38.2	0.34
OD4010-05HB	5	4.5 ~ 5.5	1.50	0.10 (0.30)	8000	9.2	33.4	0.20
OD4010-05MB	5	4.5 ~ 5.5	0.60	0.07 (0.12)	6000	7.2	26.3	0.12
OD4010-05LB	5	4.5 ~ 5.5	0.50	0.06 (0.10)	4000	4.7	20.1	0.07
OD4010-12HHB	12	10.8 ~ 13.2	2.16	0.07 (0.18)	10000	12	38.2	0.34
OD4010-12HB	12	10.8 ~ 13.2	1.44	0.07 (0.09)	8000	9.2	33.4	0.20
OD4010-12MB	12	10.8 ~ 13.2	1.20	0.05 (0.10)	6000	7.2	26.3	0.12
OD4010-12LB	12	10.8 ~ 13.2	0.72	0.04 (0.06)	4000	4.7	20.1	0.07
OD4010-24HHB	24	21.6 ~ 26.4	2.16	0.06 (0.09)	10000	12	38.2	0.34
OD4010-24HB	24	21.6 ~ 26.4	2.16	0.06 (0.09)	8000	9.2	33.4	0.20
OD4010-24MB	24	21.6 ~ 26.4	1.68	0.05 (0.07)	6000	7.2	26.3	0.12
OD4010-24LB	24	21.6 ~ 26.4	1.20	0.03 (0.05)	4000	4.7	20.1	0.07

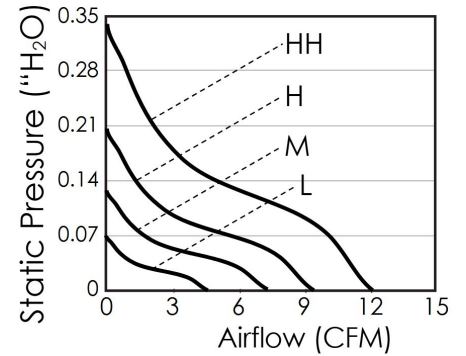
OD4010 Series with Tach



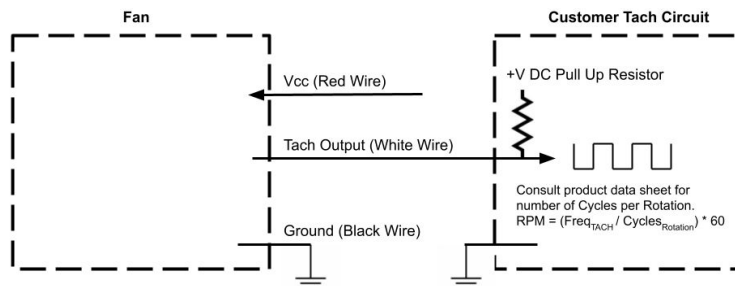
DC Fans - 5, 12, 24V
40mm x 10.5mm (1.6" x 0.4")



Frame	PBT, UL94 V-0 Plastic	Operating Temperature -20°C ~ +65°C
Impeller	PBT, UL94 V-0 Plastic	
Connection	3x Lead Wires, 28 AWG	Storage Temperature -20°C ~ +75°C
Motor	Brushless DC, Auto Restart, Polarity Protected, Electronically Protected	
Bearing System	Dual Ball Bearings	Life Expectancy 70,000 Hours (L10 at 40°C)
Dielectric Strength	500VDC/min, <1mA	
Insulation Resistance	≥10MΩ @ 500 VDC	Installed Options Open Collector Tach Output
		Weight: 0.05 lbs.



Part Number	Rated Voltage (Volts DC)	Voltage Range (Volts DC)	Input Power (Watts)(Max)	Rated Current (Amps) (Max)	Rated Speed (RPM)	Max Airflow (CFM)	Noise Level (dBA)	Max Static Pressure ("H ₂ O)
OD4010-05HHB01A	5	4.5 ~ 5.5	1.50	0.10 (0.30)	10000	12	38.2	0.34
OD4010-05HB01A	5	4.5 ~ 5.5	1.50	0.10 (0.30)	8000	9.2	33.4	0.20
OD4010-05MB01A	5	4.5 ~ 5.5	0.60	0.07 (0.12)	6000	7.2	26.3	0.12
OD4010-05LB01A	5	4.5 ~ 5.5	0.50	0.06 (0.10)	4000	4.7	20.1	0.07
OD4010-12HHB01A	12	10.8 ~ 13.2	2.16	0.07 (0.18)	10000	12	38.2	0.34
OD4010-12HB01A	12	10.8 ~ 13.2	1.44	0.07 (0.09)	8000	9.2	33.4	0.20
OD4010-12MB01A	12	10.8 ~ 13.2	1.20	0.05 (0.10)	6000	7.2	26.3	0.12
OD4010-12LB01A	12	10.8 ~ 13.2	0.72	0.04 (0.06)	4000	4.7	20.1	0.07
OD4010-24HHB01A	24	21.6 ~ 26.4	2.16	0.06 (0.09)	10000	12	38.2	0.34
OD4010-24HB01A	24	21.6 ~ 26.4	2.16	0.06 (0.09)	8000	9.2	33.4	0.20
OD4010-24MB01A	24	21.6 ~ 26.4	1.68	0.05 (0.07)	6000	7.2	26.3	0.12
OD4010-24LB01A	24	21.6 ~ 26.4	1.20	0.03 (0.05)	4000	4.7	20.1	0.07

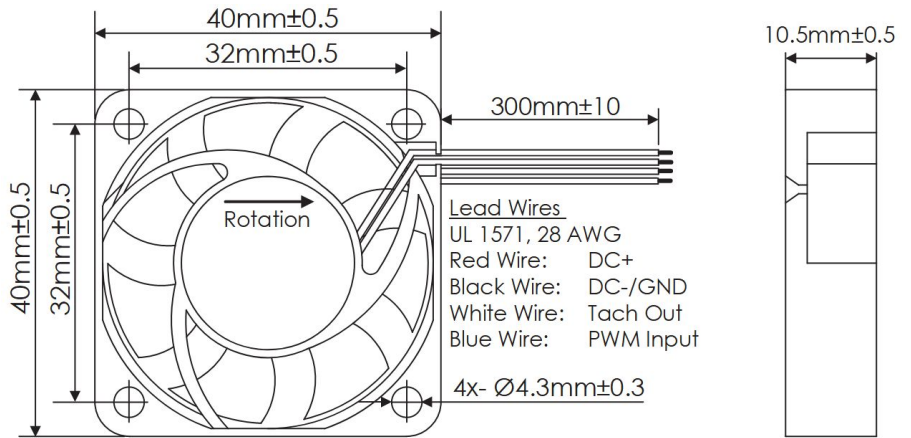


Tach Max Pullup Voltage: Fan Vcc
Tach Max Sink Current: 5mA
Tach Cycles per Rotation: 2

OD4010 Series with PWM and Tach

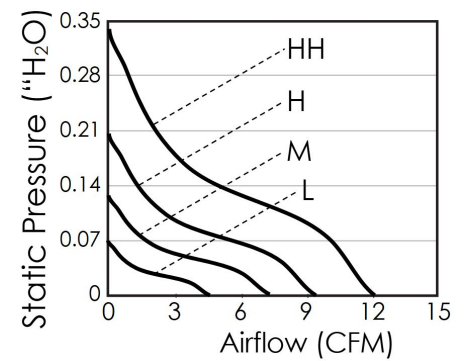


DC Fans - 5, 12, 24V
40mm x 10.5mm (1.6" x 0.4")

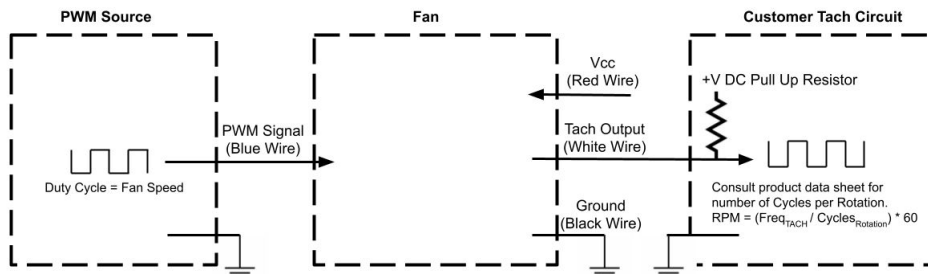


Frame	PBT, UL94 V-0 Plastic
Impeller	PBT, UL94 V-0 Plastic
Connection	4x Lead Wires, 28 AWG
Motor	Brushless DC, Auto Restart, Polarity Protected, Electronically Protected
Bearing System	Dual Ball Bearings
Dielectric Strength	500VDC/min, <1mA
Insulation Resistance	≥10MΩ @ 500 VDC

Operating Temperature
-20°C ~ +65°C
Storage Temperature
-20°C ~ +75°C
Life Expectancy
70,000 Hours (L10 at 40°C)
Installed Options
 PWM Speed Control Input
 Open Collector Tach Output
 Weight: 0.05 lbs.



Part Number	Rated Voltage (Volts DC)	Voltage Range (Volts DC)	Input Power (Watts)(Max)	Rated Current (Amps) (Max)	Rated Speed (RPM)	Max Airflow (CFM)	Noise Level (dBA)	Max Static Pressure ("H ₂ O)
OD4010-05HHB10A	5	4.5 ~ 5.5	1.50	0.10 (0.30)	10000	12	38.2	0.34
OD4010-05HB10A	5	4.5 ~ 5.5	1.50	0.10 (0.30)	8000	9.2	33.4	0.20
OD4010-05MB10A	5	4.5 ~ 5.5	0.60	0.07 (0.12)	6000	7.2	26.3	0.12
OD4010-05LB10A	5	4.5 ~ 5.5	0.50	0.06 (0.10)	4000	4.7	20.1	0.07
OD4010-12HHB10A	12	10.8 ~ 13.2	2.16	0.07 (0.18)	10000	12	38.2	0.34
OD4010-12HB10A	12	10.8 ~ 13.2	1.44	0.07 (0.09)	8000	9.2	33.4	0.20
OD4010-12MB10A	12	10.8 ~ 13.2	1.20	0.05 (0.10)	6000	7.2	26.3	0.12
OD4010-12LB10A	12	10.8 ~ 13.2	0.72	0.04 (0.06)	4000	4.7	20.1	0.07
OD4010-24HHB10A	24	21.6 ~ 26.4	2.16	0.06 (0.09)	10000	12	38.2	0.34
OD4010-24HB10A	24	21.6 ~ 26.4	2.16	0.06 (0.09)	8000	9.2	33.4	0.20
OD4010-24MB10A	24	21.6 ~ 26.4	1.68	0.05 (0.07)	6000	7.2	26.3	0.12
OD4010-24LB10A	24	21.6 ~ 26.4	1.20	0.03 (0.05)	4000	4.7	20.1	0.07

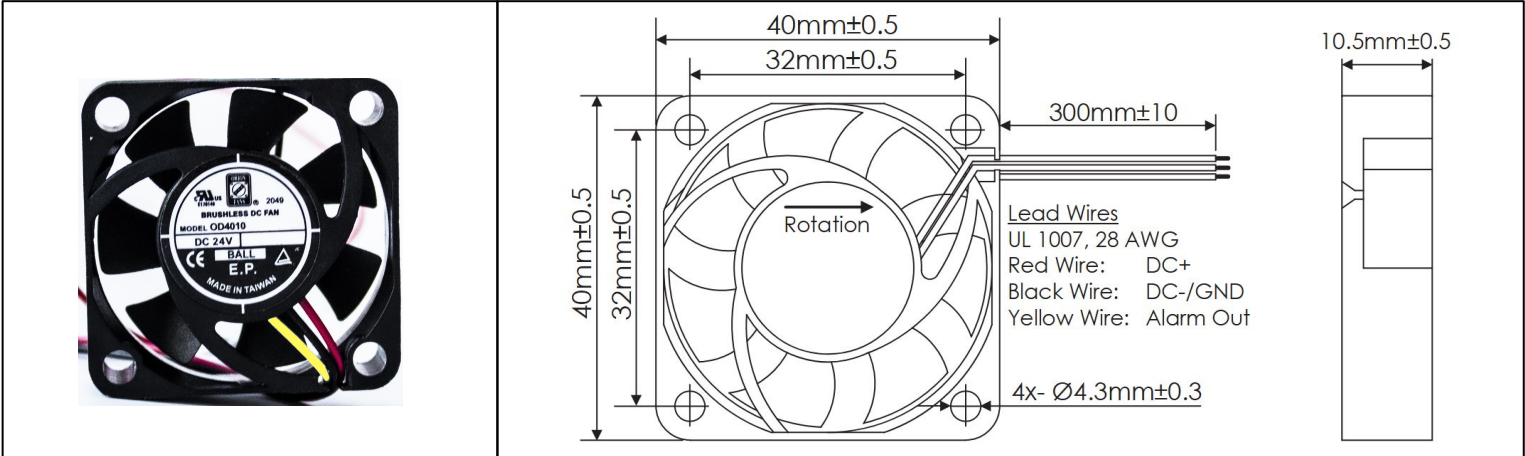


PWM Max High Voltage: 5V
 PWM Max Sink Current: 5mA
 PWM Frequency Range: 1KHz-100KHz
 PWM Typical Frequency: 25KHz
 RPM at 0% Duty Cycle: 0 RPM
 RPM will be full speed if PWM input is disconnected.
 Tach Max Pullup Voltage: Fan Vcc
 Tach Max Sink Current: 5mA
 Tach Cycles per Rotation: 2

OD4010 Series with Alarm

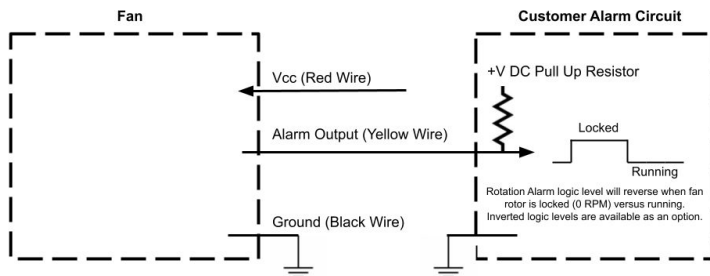


DC Fans - 5, 12, 24V
40mm x 10.5mm (1.6" x 0.4")



Frame	PBT, UL94 V-0 Plastic	Operating Temperature -20°C ~ +65°C Storage Temperature -20°C ~ +75°C Life Expectancy 70,000 Hours (L10 at 40°C) Installed Options Open Collector Alarm Output Weight: 0.05 lbs.	
Impeller	PBT, UL94 V-0 Plastic		
Connection	3x Lead Wires, 28 AWG		
Motor	Brushless DC, Auto Restart, Polarity Protected, Electronically Protected		
Bearing System	Dual Ball Bearings		
Dielectric Strength	500VDC/min, <1mA		
Insulation Resistance	≥10MΩ @ 500 VDC		

Part Number	Rated Voltage (Volts DC)	Voltage Range (Volts DC)	Input Power (Watts)(Max)	Rated Current (Amps) (Max)	Rated Speed (RPM)	Max Airflow (CFM)	Noise Level (dBA)	Max Static Pressure ("H ₂ O)
OD4010-05HHB02A	5	4.5 ~ 5.5	1.50	0.10 (0.30)	10000	12	38.2	0.34
OD4010-05HB02A	5	4.5 ~ 5.5	1.50	0.10 (0.30)	8000	9.2	33.4	0.20
OD4010-05MB02A	5	4.5 ~ 5.5	0.60	0.07 (0.12)	6000	7.2	26.3	0.12
OD4010-05LB02A	5	4.5 ~ 5.5	0.50	0.06 (0.10)	4000	4.7	20.1	0.07
OD4010-12HHB02A	12	10.8 ~ 13.2	2.16	0.07 (0.18)	10000	12	38.2	0.34
OD4010-12HB02A	12	10.8 ~ 13.2	1.44	0.07 (0.09)	8000	9.2	33.4	0.20
OD4010-12MB02A	12	10.8 ~ 13.2	1.20	0.05 (0.10)	6000	7.2	26.3	0.12
OD4010-12LB02A	12	10.8 ~ 13.2	0.72	0.04 (0.06)	4000	4.7	20.1	0.07
OD4010-24HHB02A	24	21.6 ~ 26.4	2.16	0.06 (0.09)	10000	12	38.2	0.34
OD4010-24HB02A	24	21.6 ~ 26.4	2.16	0.06 (0.09)	8000	9.2	33.4	0.20
OD4010-24MB02A	24	21.6 ~ 26.4	1.68	0.05 (0.07)	6000	7.2	26.3	0.12
OD4010-24LB02A	24	21.6 ~ 26.4	1.20	0.03 (0.05)	4000	4.7	20.1	0.07



Alarm Max Pullup Voltage: Fan +Vcc
 Alarm Max Sink Current: 5mA
 Alarm Active Logic State: HIGH