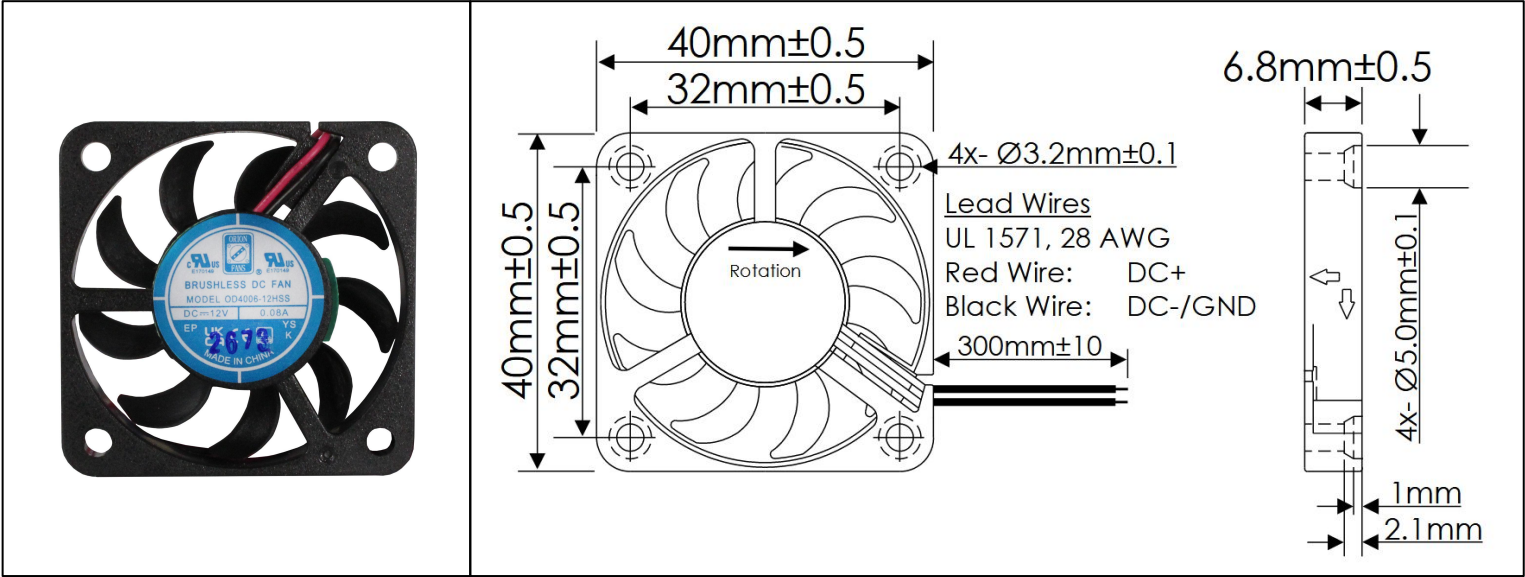


# OD4006 Sealed Sleeve Series



DC Fans - 5, 12V  
40mm x 6.8mm  
(1.57" x 0.27")



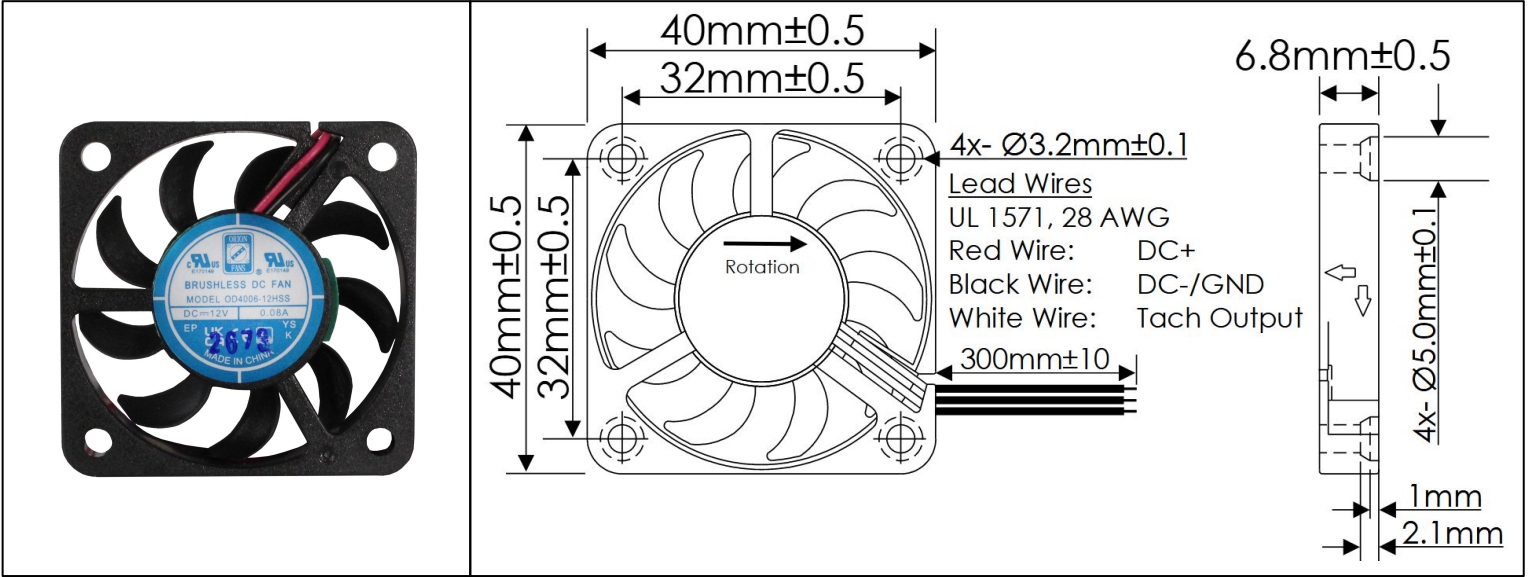
Frame & Impeller	PBT, UL94V-0 Plastic	<u>Operating Temperature</u> -10°C ~ +70°C  <u>Storage Temperature</u> -40°C ~ +70°C  <u>Life Expectancy</u> 50,000 Hours (L10 at 25°C)  <u>Available Options</u> PWM Speed Control Input Tachometer Output Alarm Output  Weight: 0.02 lbs.	
Connection	2x Wire Leads, 28 AWG		
Motor	Brushless DC, Auto Cutoff, Auto Restart, Electronically Protected		
Bearing System	Sealed Sleeve		
Dielectric Strength	500VDC/min, <1mA		
Insulation Resistance	≥10MΩ @ 500 VDC		

Part Number	Rated Voltage (Volts DC)	Voltage Range (Volts DC)	Input Power (Watts)	Rated Current (Amps)	Rated Speed (RPM)	Max Airflow (CFM)	Noise Level (dBA)	Max Static Pressure ("H <sub>2</sub> O)
OD4006-05HSS	5	4.5 ~ 5.5	0.60	0.12	6200	5.2	31.1	0.07
OD4006-12HSS	12	10.8 ~ 13.2	0.96	0.08	6200	5.2	31.1	0.07

# OD4006 Sealed Sleeve Series with Tachometer

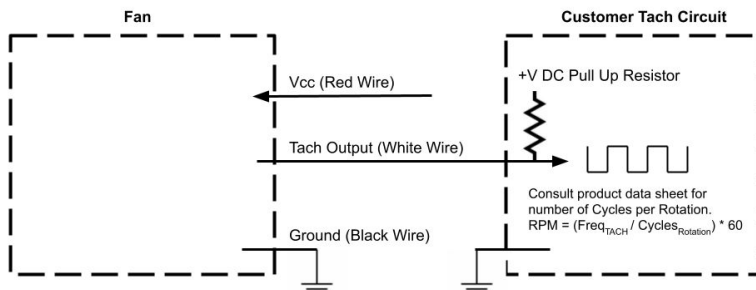


DC Fans - 5, 12V  
40mm x 6.8mm  
(1.57" x 0.27")



Frame & Impeller	PBT, UL94V-0 Plastic	<u>Operating Temperature</u> -10°C ~ +70°C	
Connection	3x Wire Leads, 28 AWG	<u>Storage Temperature</u> -40°C ~ +70°C	
Motor	Brushless DC, Auto Cutoff, Auto Restart, Electronically Protected	<u>Life Expectancy</u> 50,000 Hours (L10 at 25°C)	
Bearing System	Sealed Sleeve	<u>Installed Options</u> Open Collector Tach Output	
Dielectric Strength	500VDC/min, <1mA	Weight: 0.02 lbs.	
Insulation Resistance	≥10MΩ @ 500 VDC		

Part Number	Rated Voltage (Volts DC)	Voltage Range (Volts DC)	Input Power (Watts)	Rated Current (Amps)	Rated Speed (RPM)	Max Airflow (CFM)	Noise Level (dBA)	Max Static Pressure ("H <sub>2</sub> O)
OD4006-05HSS01A	5	4.5 ~ 5.5	0.60	0.12	6200	5.2	31.1	0.07
OD4006-12HSS01A	12	10.8 ~ 13.2	0.96	0.08	6200	5.2	31.1	0.07



Tach Max Pullup Voltage: Fan Vcc + 20%  
Tach Max Sink Current: 5mA  
Tach Cycles per Rotation: 4