

SPECIFICATIONS

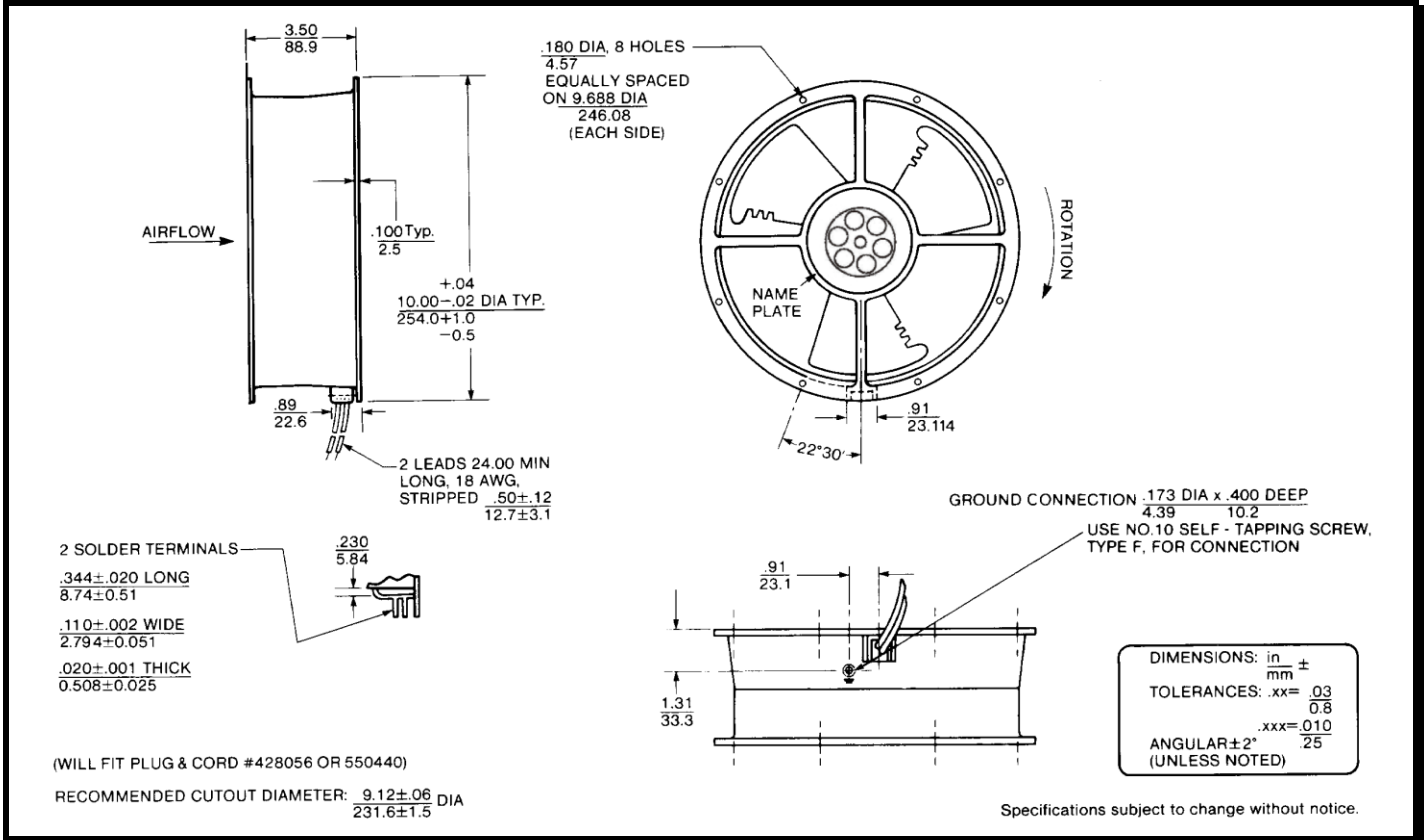
(RoHS Compliant)



Model Number: CLE3L2
Part Number: 19020190A

Version: 03
Sep 29, 2021

Mechanical Drawing:



PQ Curve:

Motor:

Nominal Voltage = 230 VAC
 Frequency = 50/60 Hz
 Nominal Running Current = 0.24 / 0.25 amps
 Max. Locked Rotor Current = 0.355 amps
 Running Power = 60/60 watts
 Average Speed = 1400/1650 RPM
 Bearings = Ball
 Air Flow = 455/550 CFM
 Acoustic: = 45.4/49.2 dBA

Construction:

Venturi: Aluminum, Black
 Propeller: Plastic, Black, UL 94V-0

Life Expectancy:

This fan is designed for continuous duty life of 46,000 hours at 70°C.

Additional Features:

Permanent Split Capacitor
 Automatic Restart Thermal Protector
 Class B Insulation
 Operating Temperature: -10°C to 70°C
 Storage Temperature: -40°C to 85°C

Termination:

24" Lead wires, 18 AWG, UL 1015

Agency Approvals:

UL, CUL, CE

