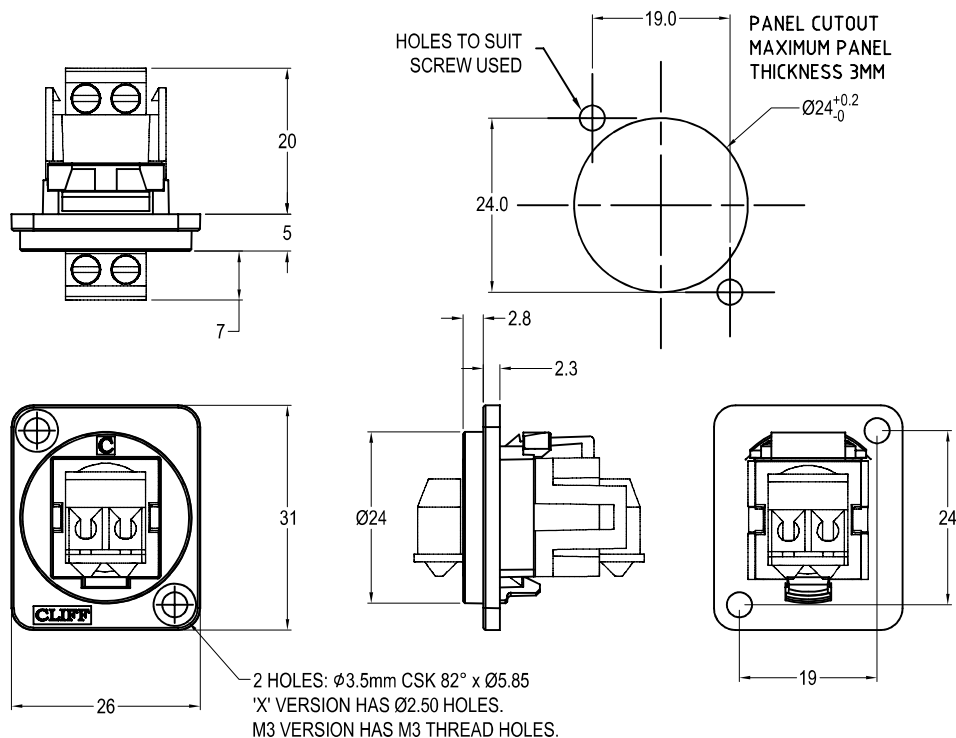


CLIFF

2 WIRE TERMINAL FEEDTHROUGH CONNECTOR



Feedthrough Features

- Fits standard XLR $\text{Ø}24\text{mm}$ cutout.
- No soldering or punch termination. Use standard cable for each connector style.
- Front or rear mounted.
- Low rear profile

General:

Please note: Functionality is affected by cable quality, length and cable wiring configuration.

Other models available:

Part No.

| | |
|-----------------|--|
| CP30240 | 2 Wire Terminal Black plastic frame, CSK holes |
| CP30240X | 2 Wire Terminal Black plastic frame, PLAIN holes |

Material:

1. Frame: Polyamide UL94V-2
2. Insert: composite

Notes:

1. Maximum rating 25V AC, 60V DC, 10A