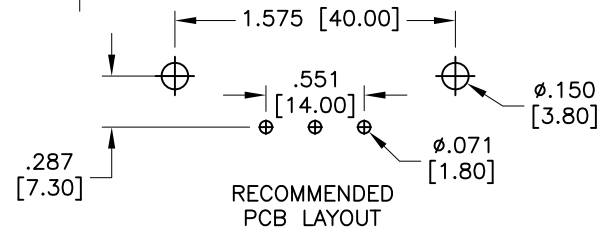
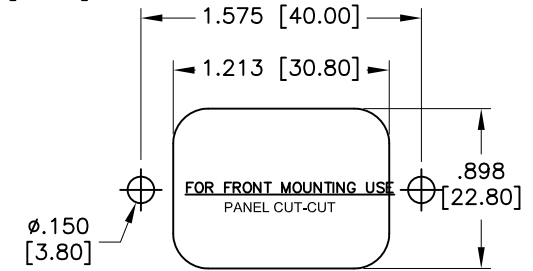
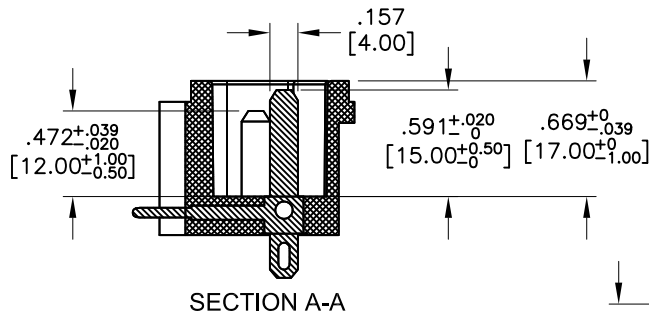
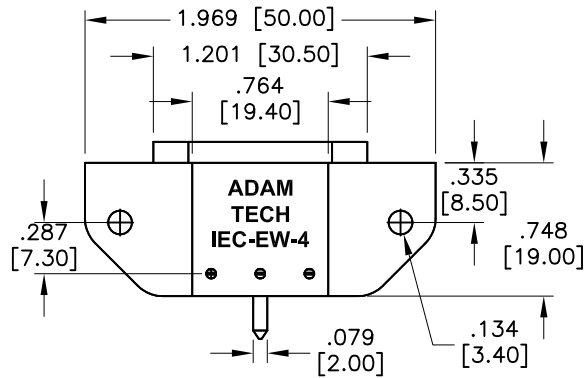
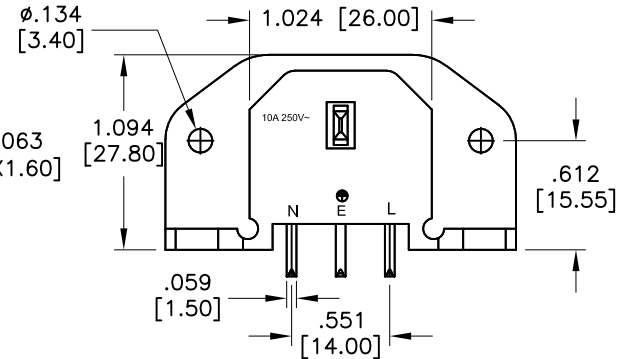
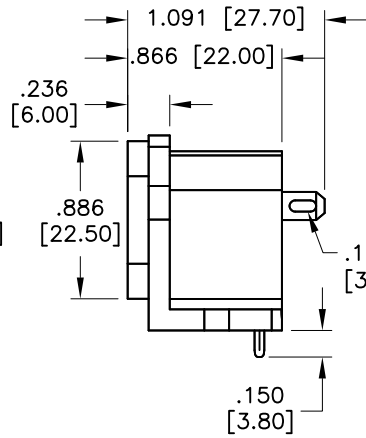
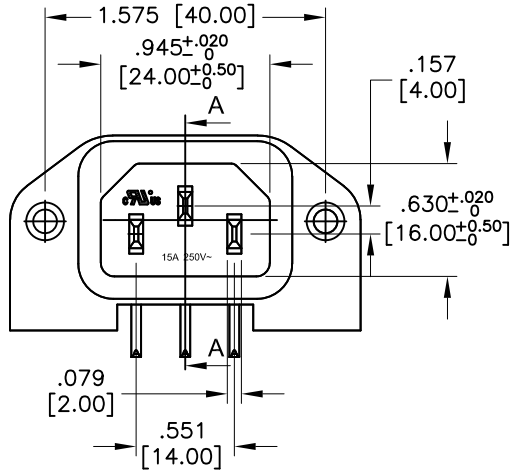


APPROVED: _____
 DATE: _____ TITLE: _____

Rev	AWO #	Description	Date	Appr
-		RELEASED	10/6/11	
A		REDRAWN	2/25/13	
B		UPDATE SPEC.	4/9/15	AY
C		UPDATE SPEC.	11/24/20	SS



SPECIFICATIONS:

Material:
 Insulator: PBT, rated UL 94V-0
 Insulator color: Black
 Contacts: Copper Alloy
 Plating:
 Tin over Copper underplate overall

Electrical:
 Rating: 15A 250V (Rated for US & Canada)
 10A 250V (Rated for Europe and China)
 Insulation resistance: 100 Mohms min @ 500 VDC
 Dielectric withstanding voltage: 3,000 VAC for 1 minute
 Environmental:
 Lead free, RoHS compliant



UNLESS OTHERWISE SPECIFIED
 ALL DIMENSIONS ARE INCHES [MM]
 TOLERANCES: EXCEPT AS NOTED

INCHES		HOLES	
.X	± .10	∅X	± .10
.XX	± .020	∅XX	± .015
.XXX	± .015	∅XXX	± .010

ADAM TECH

909 Rahway Avenue, Union, NJ 07083
 Phone: 908-687-5000 Fax: 908-687-5710

APPROVALS		DATE
DRAWN	AY	10/6/11
CHECKED	CC	10/6/11
APPROVED		

TITLE			
IEC MALE INLET, MOUNTING FLANGE RIGHT ANGLE, PCB TAILS			
SIZE	PART NO.	REV.	
X	IEC-EW-4	C	
REF:	S00087C	SCALE:	NTS
		SHEET 1 OF 1	