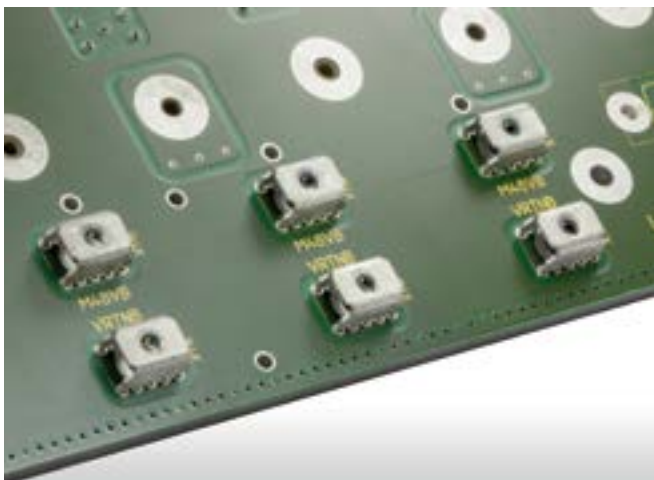


# POWER TAPS

for backplanes and PCBs



# POWER TAPS

Power taps in grids of 2.54 millimeters are developed especially for the power supply on the Printed Circuit Board (PCB) and backplane. They are available in various designs with six or ten connection pins and as dip solder or pressfit variants. Depending on the cable connection and PCB, operating currents up to 40 amperes can be realized. The cable connection is possible with commercially available cable lugs. This provides high flexibility for the connections.



## FEATURES

|                        |                                    |
|------------------------|------------------------------------|
| Pitch                  | 2.54 mm                            |
| No. of Pins            | 6, 10                              |
| Current rate           | up to 40 A                         |
| Termination technology | Pressfit technology, Dip soldering |
| Screw mount terminal   | M3, M4, 6-32UNC, 8-32UNC           |

# ELECTRICAL AND MECHANICAL CHARACTERISTICS

## Technical Data

| Description                      | Standard              | 6 and 10 pin version                                    |      |
|----------------------------------|-----------------------|---|------|
| Climate category                 | DIN EN 60068-1 test b | -55/125/56  |      |
| Temperature range                |                       | -55/125 °C  |      |
| Current rating                   | IEC60512 test 5b      | 20°C  | 40 A |
|                                  |                       | 70°C  | 24 A |
|                                  |                       | 100°C   | 8 A  |
| <b>Processing Conditions</b>     |                       |   |      |
| Solder temperature max.          | IEC 68-2-20           |   |      |
| Hand soldering temperature max.  |                       | 3.5 s at 350 °C   |      |
| Dip soldering temperature max.   |                       | 10 s at 260 °C  |      |
| Warning                          |                       | Soldering of pressfit connectors not to be recommended. |      |
| <b>Contact and mating area</b>   |                       |   |      |
| Base material                    |                       | Cu alloy  |      |
| Plating                          |                       | Sn  |      |
| <b>Transfer area</b>             |                       |   |      |
| Base material                    |                       | Cu alloy  |      |
| Plating                          |                       | Sn  |      |
| <b>Environment Compatibility</b> |                       |   |      |
| Recycling                        |                       | Easy recycling  |      |
| <b>Assembly information</b>      |                       |   |      |
| Max. tightening torque M3        |                       | 0.5 Nm  |      |
| Max. tightening torque M4        |                       | 1.2 Nm  |      |
| Max. tightening torque 6-32 UNC  |                       | 0.5 Nm  |      |
| Max. tightening torque 8-32 UNC  |                       | 1.2 Nm  |      |

For assembly scheme see page 8

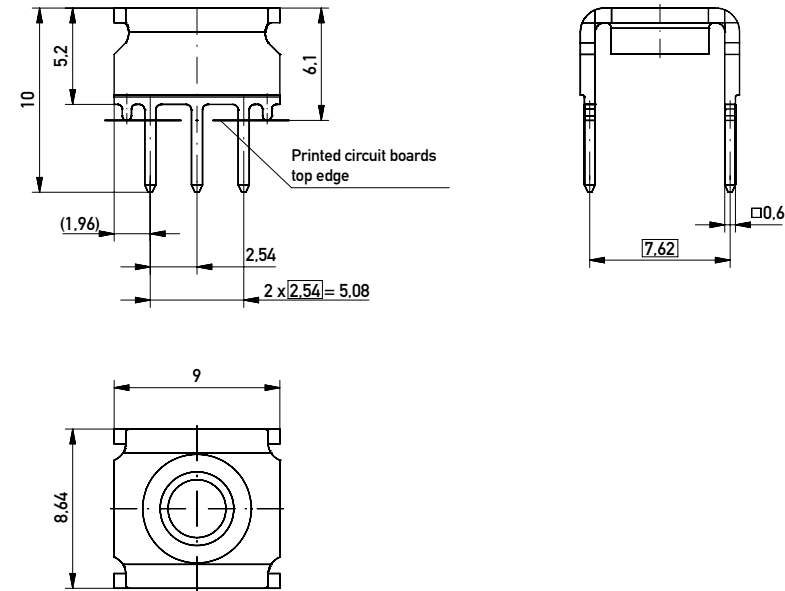
# 6 PIN WITH SCREW MOUNT TERMINAL, DIP SOLDERING

## Product Specification

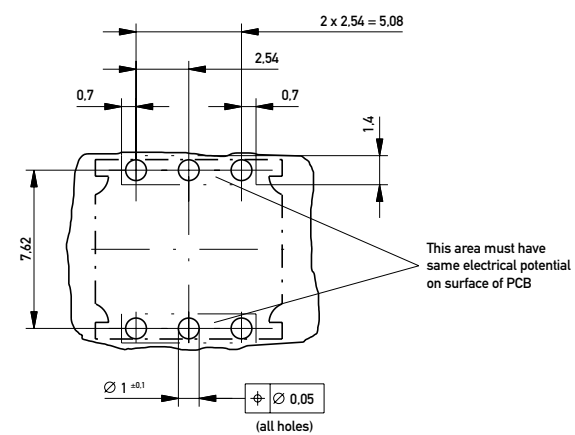
- designed to bring power to printed circuit board applications
- allows wire-to-board connections with common terminals
- three solder pins per row with a two-row PCB layout
- operating current is determined by characteristics of the PCB and the cable termination
- power supply cable can be connected with a screw mount terminal
- accomodating M3, M4, 6-32UNC or 8-32UNC screws
- for available parts please refer to our website, consult our distirbution partners or use TE-sales



## Dimensional Drawings



## PCB drillhole pattern



All dimensions in mm

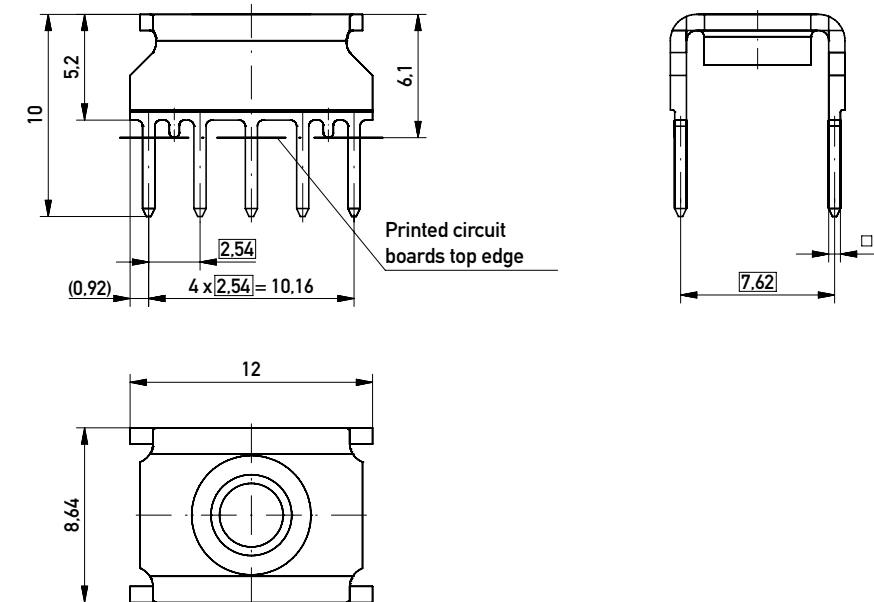
# 10 PIN WITH SCREW MOUNT TERMINAL, DIP SOLDERING

## Product Specification

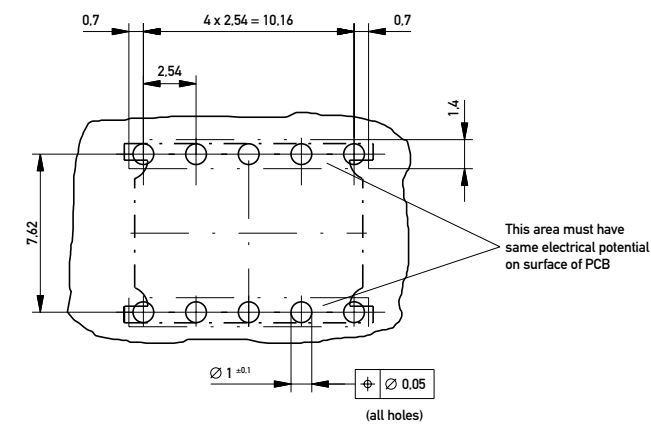
- designed to bring power to printed circuit board applications
- allows wire-to-board connections with common terminals
- five solder pins per row with a two-row PCB layout
- operating current is determined by characteristics of the PCB and the cable termination
- power supply cable can be connected with a screw mount terminal
- accomodating M3, M4, 6-32UNC or 8-32UNC screws
- for available parts please refer to our website, consult our distirbution partners or use TE-sales



## Dimensional Drawings



## PCB drillhole pattern



All dimensions in mm

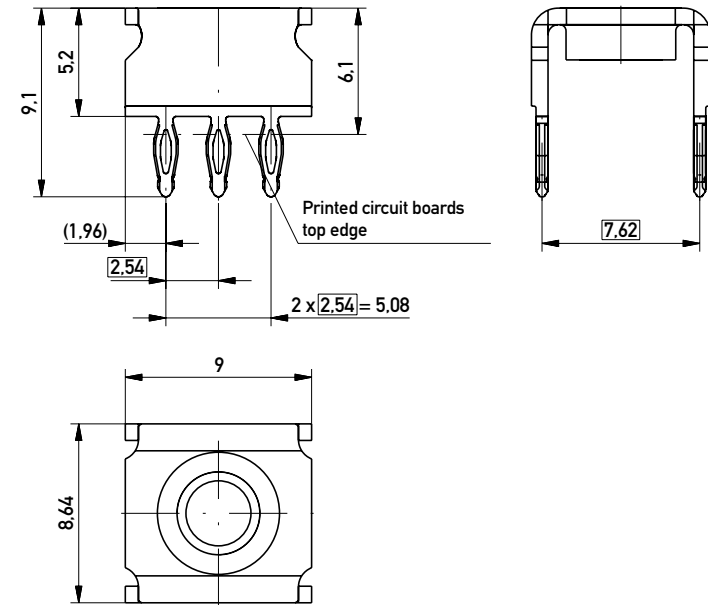
# 6 PIN WITH SCREW MOUNT TERMINAL, PRESSFIT

## Product Specification

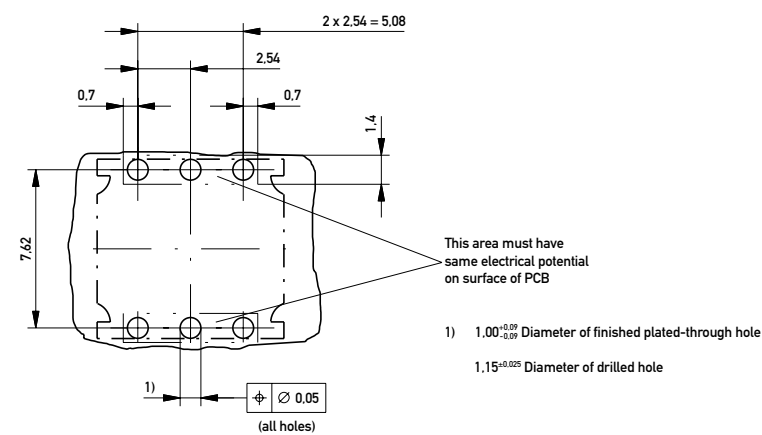
- designed to bring power to printed circuit board applications
- allows wire-to-board connections with common terminals
- three pressfit pins per row with a two-row PCB layout
- operating current is determined by characteristics of the PCB and the cable termination
- power supply cable can be connected with a screw mount terminal
- accomodating M3, M4, 6-32UNC or 8-32UNC screws
- for available parts please refer to our website, consult our distribution partners or use TE-sales



## Dimensional Drawings



## PCB drillhole pattern



All dimensions in mm

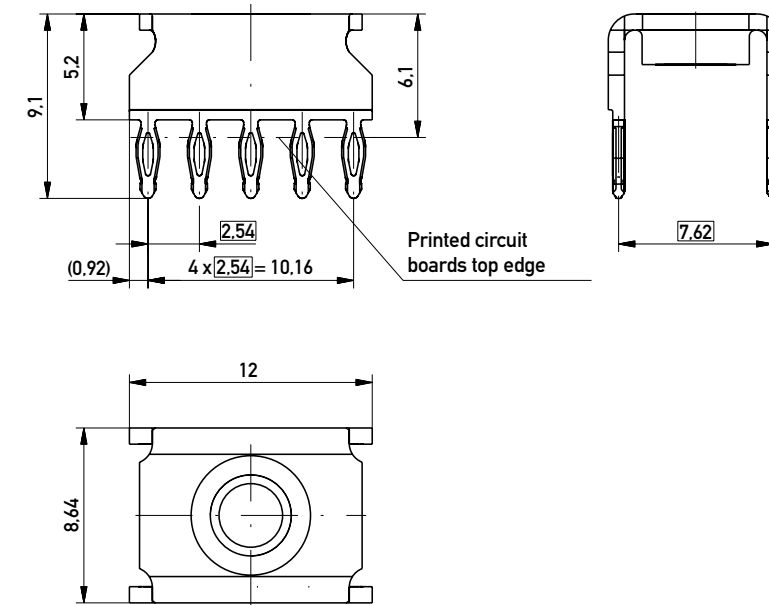
# 10 PIN WITH SCREW MOUNT TERMINAL, PRESSFIT

## Product Specification

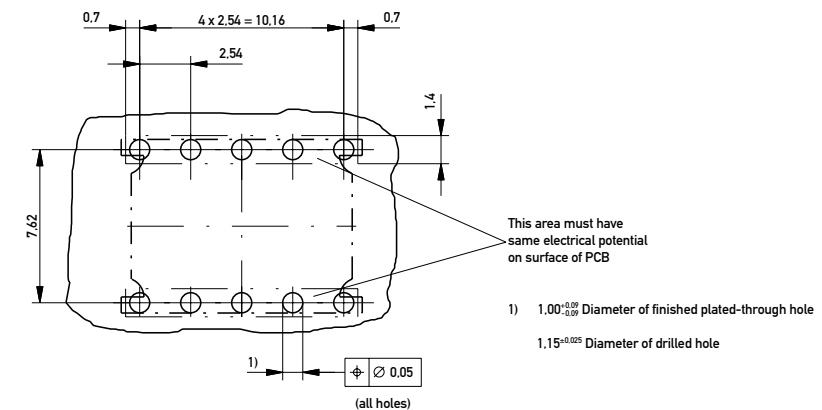
- designed to bring power to printed circuit board applications
- allows wire-to-board connections with common terminals
- five pressfit pins per row with a two-row PCB layout
- operating current is determined by characteristics of the PCB and the cable termination
- power supply cable can be connected with a screw mount terminal
- accomodating M3, M4, 6-32UNC or 8-32UNC screws
- for available parts please refer to our website, consult our distribution partners or use TE-sales



## Dimensional Drawings



## PCB drillhole pattern



All dimensions in mm

---

# PRESS-IN-TOOLING

## Ordering Information

| Description | Comment           | Part Number |
|-------------|-------------------|-------------|
| Upper Tool  | With Quick Change | 471870      |
| Lower Tool  | With Quick Change | 220140      |

---

## Connect With Us

We make it easy to connect with our experts and are ready to provide the support you need. Visit [www.te.com/support](http://www.te.com/support) to chat with a Product Information Specialist.

---

### te.com

2022 TE Connectivity. All Rights Reserved.

TE Connectivity, TE connectivity (logo), ERNI and Every Connection Counts are trademarks owned or licensed by the TE Connectivity family of companies. All other logos, products and/or company names referred to herein might be trademarks of their respective owners.

The information given herein, including drawings, illustrations and schematics which are intended for illustration purposes only, is believed to be reliable. However, TE Connectivity makes no warranties as to its accuracy or completeness and disclaims any liability in connection with its use. TE Connectivity's obligations shall only be as set forth in TE Connectivity's Standard Terms and Conditions of Sale for this product and in no case will TE Connectivity be liable for any incidental, indirect or consequential damages arising out of the sale, resale, use or misuse of the product. Users of TE Connectivity products should make their own evaluation to determine the suitability of each such product for the specific application.

074490 03/22 Original

---

### CATALOG

TE Connectivity

ERNI Electronics GmbH & Co. KG  
a TE Connectivity Ltd. company  
Seestraße 9  
73099 Adelberg  
Germany

Tel +49 7166 50-0  
[www.te.com](http://www.te.com)  
[www.erni.com](http://www.erni.com)