

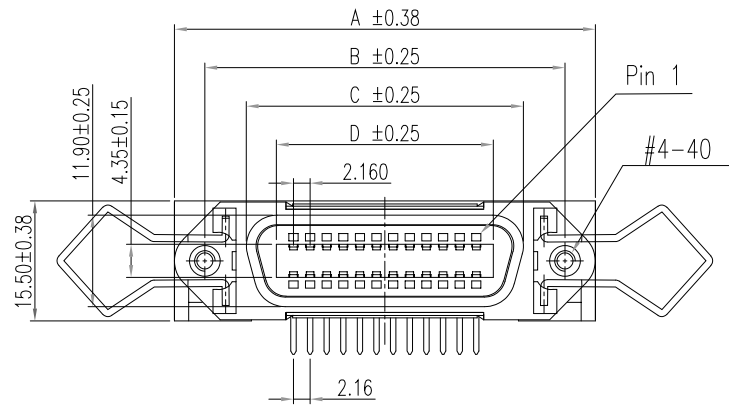
| DIMENSIONS OF ALL SIZES AVAILABLE | | | | |
|-----------------------------------|-------|-------|-------|-------|
| SIZE | A | B | C | D |
| 14 POS. | 43.90 | 36.00 | 25.20 | 17.75 |
| 24 POS. | 54.98 | 46.73 | 35.90 | 28.52 |
| 36 POS. | 67.65 | 59.74 | 48.70 | 41.78 |
| 50 POS. | 83.00 | 74.86 | 64.20 | 56.70 |

ELECTRICAL CHARACTERISTICS

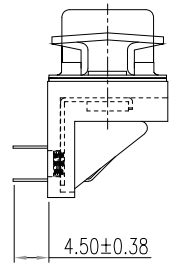
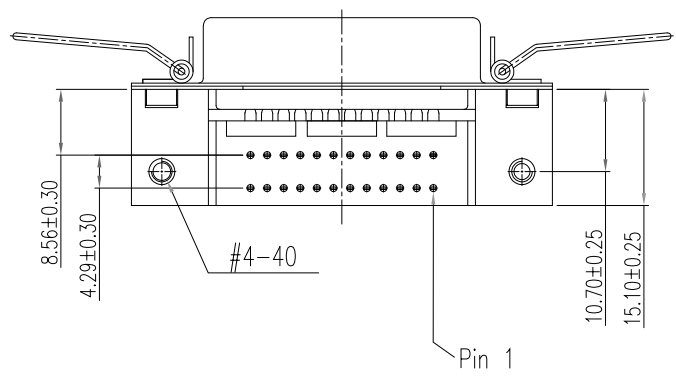
- VOLTAGE: 250 VAC (RMS) Max.
- CURRENT RATING: 1 AMP PER CONTACT
- CONTACT RESISTANCE: 30 mΩ Max.
- INSULATION RESISTANCE: 1000 MΩ Min.
- dIELECTRIC WITHSTANDING: 1000 VAC (RMS)
- TOTAL MATING FORCE: 25 LBS Max.
- TOTAL UNMATING FORCE: 2 LBS Min.
- OPERATING TEMPERATURE: -55°C TO +105°C

MATERIAL CHARACTERISTICS

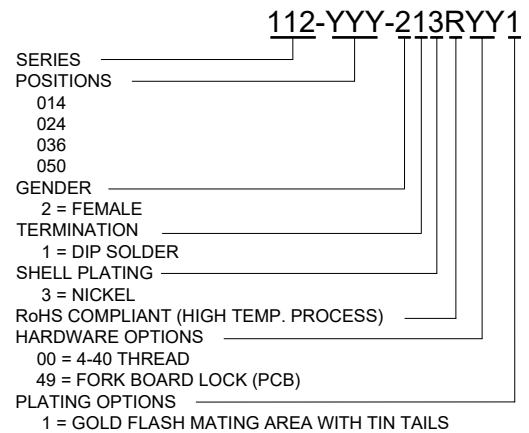
- INSULATOR: PA9T, UL94V-0, BLUE
- CONTACTS: COPPER ALLOY
- CONTACT PLATING: GOLD FLASH MATING ARE
MATTE TIN ON PCB CONTACTS



CLIPS COME DISASSEMBLED FROM CONNECTOR FOR BOTH "00" & "49" HW OPTIONS
CLIP SHAPE REPRESENTATIVE



"00" HARDWARE (HW) OPTION SHOWN HERE



RoHS COMPLIANT

UNITS = MM

DO NOT SCALE FROM DRAWING

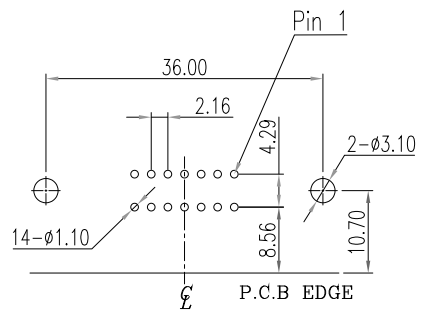


THESE DRAWINGS AND SPECIFICATIONS ARE THE PROPERTY OF NorComp AND SHALL NOT BE REPRODUCED, COPIED OR USED AS THE BASIS FOR THE MANUFACTURE OR SALE OF APPARATUS WITHOUT WRITTEN PERMISSION.

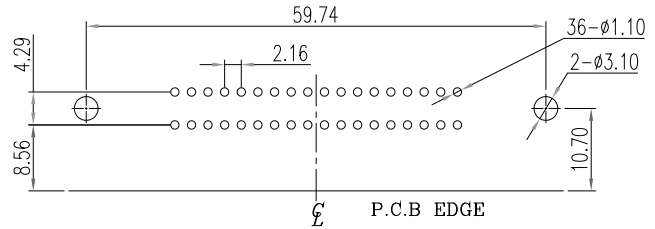
DRAWN: J. KADEL
DATE: 12/26/2018



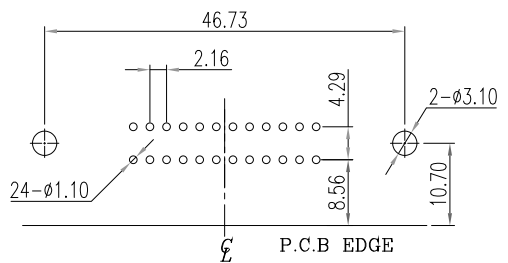
SCALE: NTS
SHEET 1 OF 3
REV 4
DWG NO. 112-YYY-213RYY1



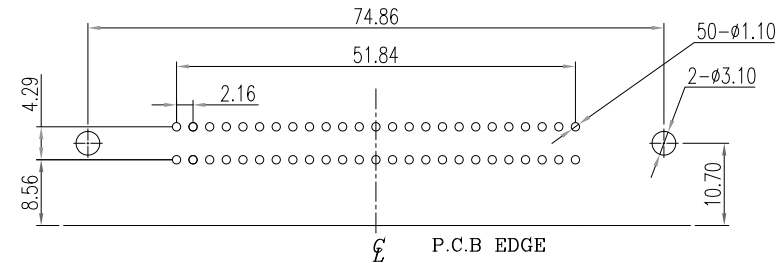
RECOMMENDED P.C.B LAYOUT 14 POS.



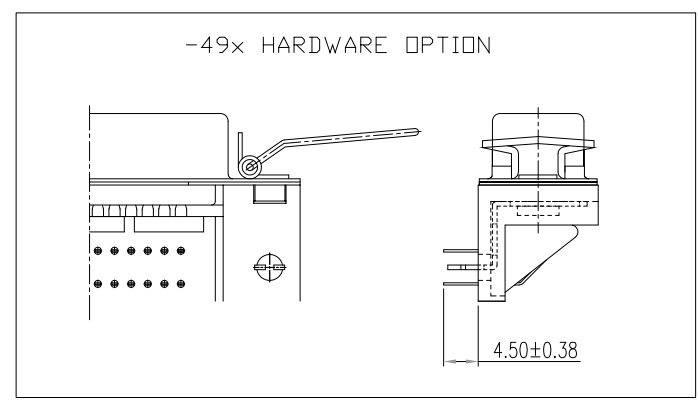
RECOMMENDED P.C.B LAYOUT 36 POS.



RECOMMENDED P.C.B LAYOUT 26 POS.



RECOMMENDED P.C.B LAYOUT 50 POS.



RoHS COMPLIANT

UNITS = MM

DO NOT SCALE FROM DRAWING



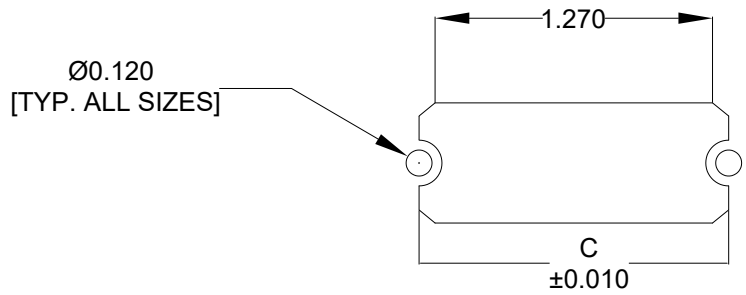
THESE DRAWINGS AND SPECIFICATIONS ARE THE PROPERTY OF NorComp AND SHALL NOT BE REPRODUCED, COPIED OR USED AS THE BASIS FOR THE MANUFACTURE OR SALE OF APPARATUS WITHOUT WRITTEN PERMISSION.

DRAWN:
J. KADEL
DATE:
12/26/2018

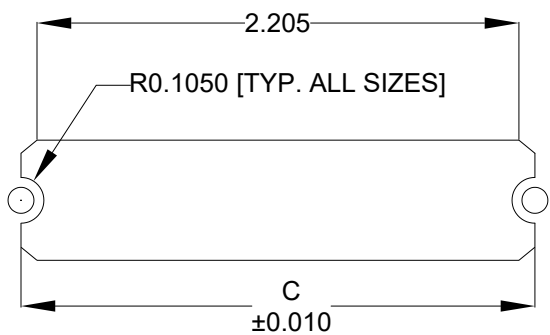
NorComp

| | | | |
|----------------------------|------------|---------|----------|
| SCALE: NTS | SHEET 2 | OF 3 | REV 4 |
| DWG NO. 112-YYY-213RYY1 | | | |

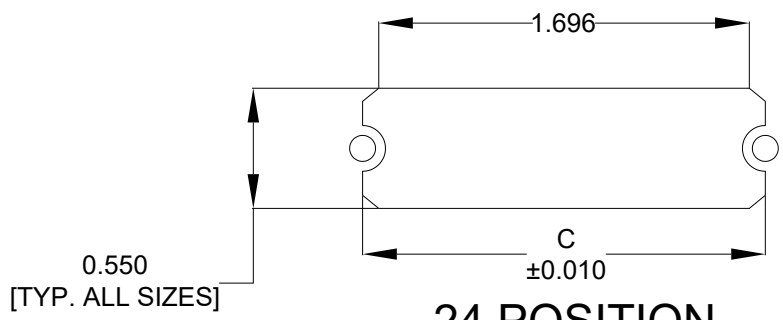
| | | | | |
|---|-------|-------|-------|-------|
| | 014 | 024 | 036 | 050 |
| C | 1.417 | 1.843 | 2.352 | 2.947 |
| | 36.00 | 46.80 | 59.74 | 74.85 |



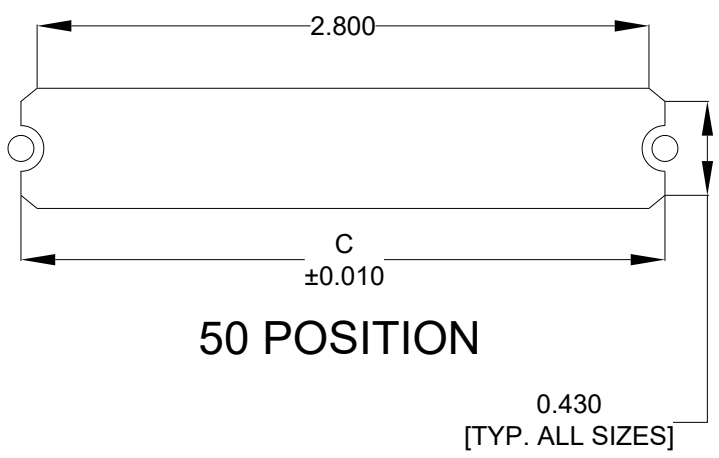
14 POSITION



36 POSITION



24 POSITION



50 POSITION

NOTE DIMENSION "C" =
 CENTER TO CENTER OF MOUNTING HOLES
 CENTER OF RADI
 OVERALL LENGTH OF CUTOUT

RoHS COMPLIANT

UNITS = INCHES [MM] DO NOT SCALE FROM DRAWING



THESE DRAWINGS AND SPECIFICATIONS ARE THE PROPERTY OF NorComp AND SHALL NOT BE REPRODUCED, COPIED OR USED AS THE BASIS FOR THE MANUFACTURE OR SALE OF APPARATUS WITHOUT WRITTEN PERMISSION.

DRAWN:
 J. KADEL
 DATE:
 12/26/2018

NorComp

| | | |
|----------------------------|--------------------|----------|
| SCALE: NTS | SHEET 3 OF 3 | REV 4 |
| DWG NO. 112-YYY-213RYY1 | | |