



Pull-wire switch

ZS 71 1Ö/1S / 55 N

Article no.: 1048069 (old article no.: 71141001)

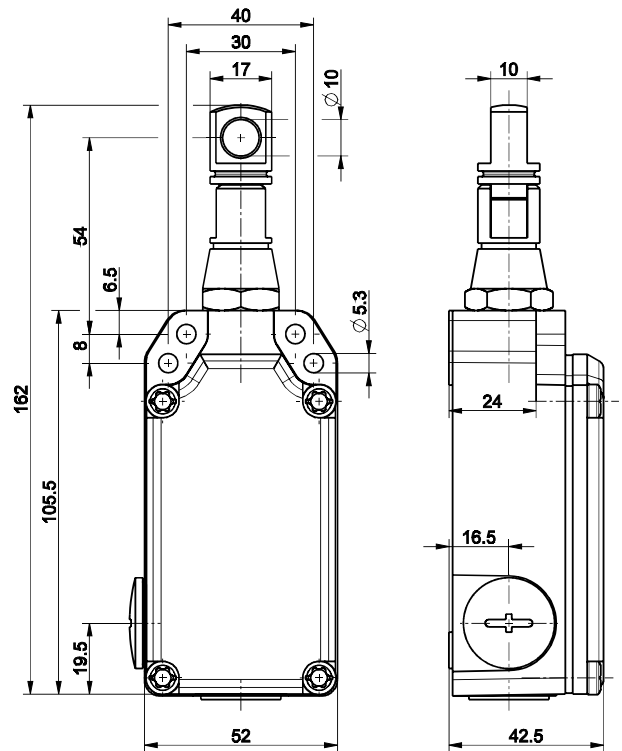
Product features

- Metal enclosure
- 2 contacts
- Compact design
- Wire length up to 5 m
- Spring force variant: 55 N
- Wire pull and breakage detection
- Without mechanical latching

Notes

- At 3 m distance intermediate wire supports are required. One wire thimble is provided.

Dimensions



Technical data

Applied standards

EN 60947-5-1, EN ISO 13849-1, GS-ET-15

Enclosure

aluminium die-cast, powder-coated

Cover

thermoplastic, glass-fibre reinforced, shockproof, self-extinguishing UL 94 V-0

Degree of protection

IP65 (IEC/EN 60529)

B_{10d} (10 % load)

2 million

T_M

max. 20 years

Contact material

silver

Switching system

snap action, positive break NC contacts ⊖

Switching elements

1 NC/1 NO contact

Connection

screw connection terminals

Cable cross-section

max. 2.5 mm² (incl. conductor ferrules)

Cable entry

2 x M20 x 1.5

Rated impulse withstand voltage U_{imp}

6 kV

Rated insulation voltage U_i

400 V

Conventional thermal current I_{the}

6 A

Utilisation category

AC-15

Rated operating current/voltage I_e/U_e

6 A/400 VAC

Short-circuit protection

6 A gG/gN fuse

Errors and omissions excepted.



Pull-wire switch

ZS 71 1Ö/1S / 55 N

Article no.: 1048069 (old article no.: 71141001)

Technical data (contd.)

Ambient temperature

-25 °C ... +70 °C

Mechanical life

> 1 million operations

Max. wire length

5 m

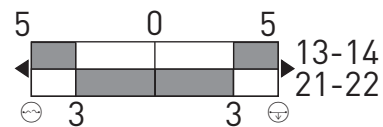
Approvals



Weight

334 g

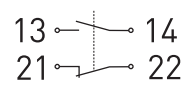
Switching diagram



⊖ Wire breakage detection

⊕ Wire pull detection

Contact diagram



Errors and omissions excepted.