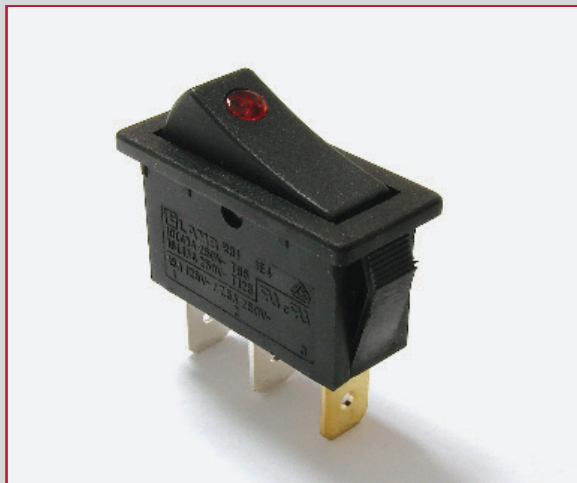
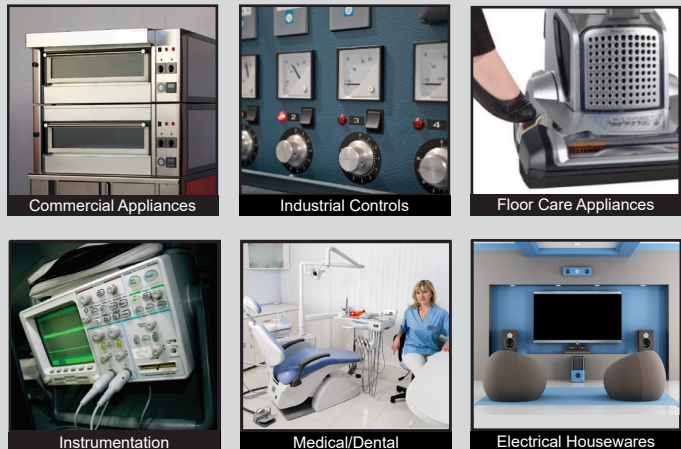


# RB1 SERIES ROCKER SWITCH

ANTI-VANDAL SWITCHES  
DETECTOR SWITCHES  
DIP SWITCHES  
KEYLOCK SWITCHES  
NAVIGATION SWITCHES  
PUSHBUTTON SWITCHES  
ROCKER SWITCHES  
ROTARY SWITCHES  
SLIDE SWITCHES  
SNAP ACTION SWITCHES  
TACTILE SWITCHES  
TOGGLE SWITCHES  
CAP OPTIONS



## APPLICATIONS / MARKETS



**RoHS**

## SPECIFICATIONS

### Electrical Rating:

Option C: 15A 125VAC T85 [cURus]  
7.5A 250VAC T85 [cURus]

### Option D (2 Position Functions):

20A 125VAC T105 [cURus]  
16A 250VAC T105 [cURus]  
3/4HP 125VAC T105 [cURus]  
3/4HP 250VAC T105 [cURus]

### Option E (3 Position Functions):

16A 125VAC T65 [cURus]  
16A 250VAC T65 [cURus]

**Operating Temperature:** -20°C to 65°C

**Electrical Life:** 10,000 Cycles

**Contact Resistance:** 35mΩ Max. at 50VAC

**Insulation Resistance:** 100MΩ Min. at 500VDC

**Dielectric Strength:** 1,500VAC for 1 min.

**Ingress Protection:** IP54 with optional silicone cap

## FEATURES & BENEFITS

- High Quality and Reliable Switch
- Industry Standard 11mm x 30mm Cutout
- Illumination Options
- Marking Options
- Multiple Actuator Options
- Front Panel Mount Applications
- Optional Cap for Dust and Water Protection
- 1 Pole Maintained and Momentary Functions

## PART NUMBER CONFIGURATOR

Series	Terminal	Function	Rating	Body Color	Actuator Color	Marking Color	Marking Type	Lens Style	Lens Color	Lamp Voltage
RB1	4 - 6.3mm	1 - Off-On 3 - On-On 4 - Off-(On) 5 - On-Off-On A - On-(Off) B - On-(On) C - On-Off-(On) D - (On)-Off-(On)	C - 15A 125V D - 20A 125V E - 16A 125V	1 - Black 2 - White 3 - Almond 4 - Grey 9 - Red	0 - None 1 - Black 2 - White 3 - Almond 4 - Grey 5 - Orange 7 - Blue 8 - Green 9 - Red	0 - None 1 - Black 2 - White 8 - Red	0 - None 1 - I/O Vertical 2 - ON-OFF-ON Vertical 3 - ON-OFF Vertical 4 - ON-OFF Horizontal 9 - I/O/II Horizontal R - I/O Horizontal S - I/O/II Vertical	None - Not Illuminated 1 - Full 2 - Round*	None - Not Illuminated 0 - Clear 1 - Red 2 - Amber 3 - Green 4 - Blue 5 - Yellow	None - Not Illuminated 4 - 12V 5 - 24V 6 - 125V 7 - 250V

**Notes:**

Custom Colors and Markings Available Upon Request

( ) = Denotes Momentary Function

\* = Only Available with the "C" Rating

Specifications subject to change without notice 7.17.2025



**E-SWITCH®**

www.e-switch.com

800.867.2717

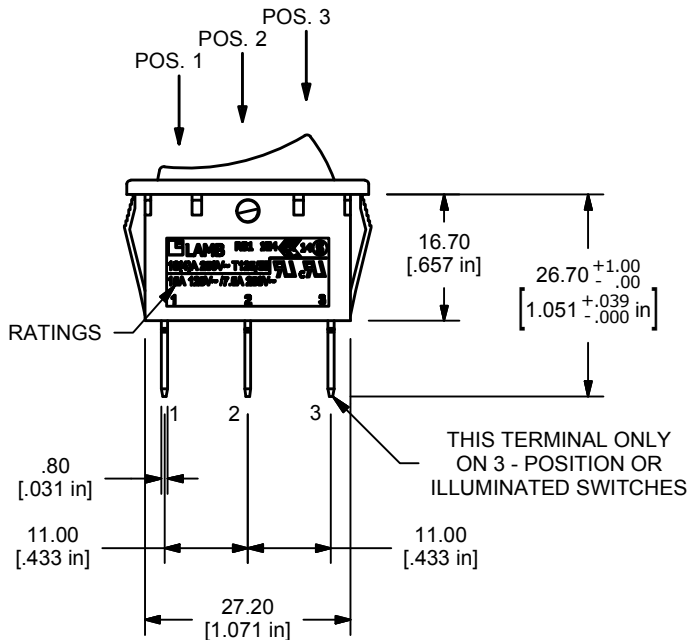
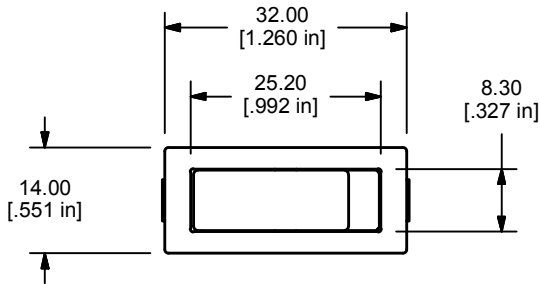
1

# RB1 SERIES ROCKER SWITCH

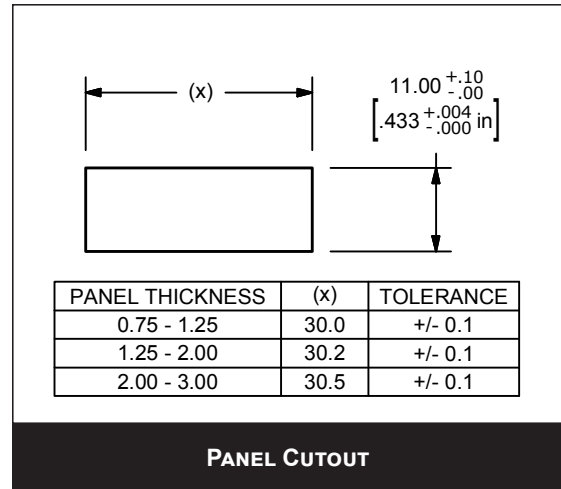
## BODY DIMENSIONS

FUNCTION	POS. 1	POS. 2	POS. 3
1	OFF	NONE	ON
3	ON	NONE	ON
4	OFF	NONE	(ON)
5	ON	OFF	ON
A	ON	NONE	(OFF)
B	ON	NONE	(ON)
C	ON	OFF	(ON)
D	(ON)	OFF	(ON)
TERMINAL CLOSURE	2-3	OPEN	2-1

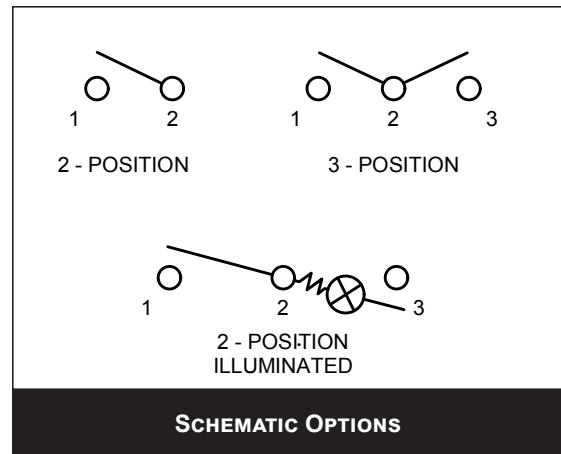
( ) = MOMENTARY



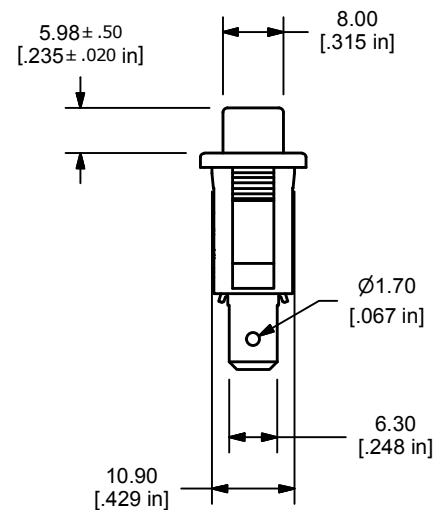
SHOWN WITH C - RATED BODY



PANEL CUTOUT



SCHEMATIC OPTIONS



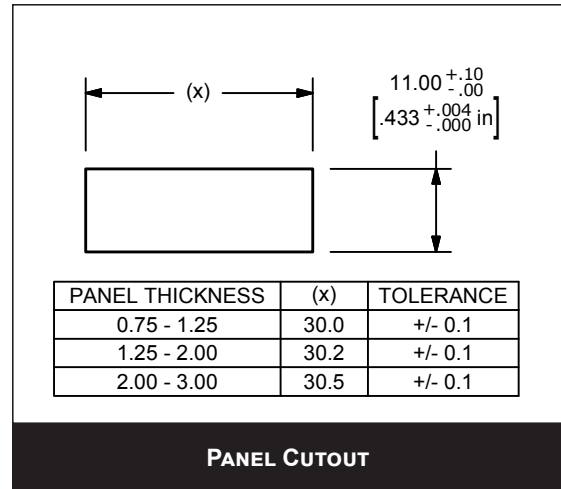
ANTI-VANDAL SWITCHES  
 DETECTOR SWITCHES  
 DIP SWITCHES  
 KEYLOCK SWITCHES  
 NAVIGATION SWITCHES  
 PUSHBUTTON SWITCHES  
**ROCKER SWITCHES**  
 ROTARY SWITCHES  
 SLIDE SWITCHES  
 SNAP ACTION SWITCHES  
 TACTILE SWITCHES  
 TOGGLE SWITCHES  
 CAP OPTIONS

# RB1 SERIES ROCKER SWITCH

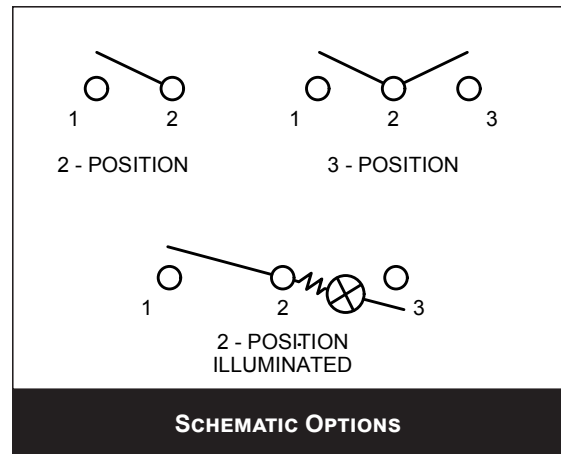
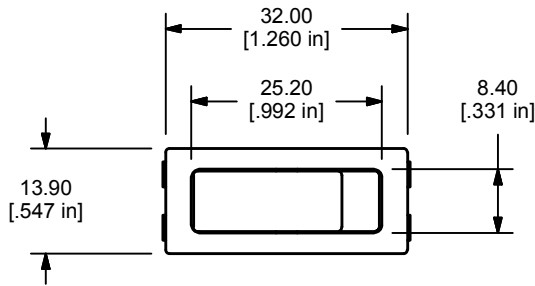
## BODY DIMENSIONS

FUNCTION	POS. 1	POS. 2	POS. 3
1	OFF	NONE	ON
3	ON	NONE	ON
4	OFF	NONE	(ON)
5	ON	OFF	ON
A	ON	NONE	(OFF)
B	ON	NONE	(ON)
C	ON	OFF	(ON)
D	(ON)	OFF	(ON)
TERMINAL CLOSURE	2-3	OPEN	2-1

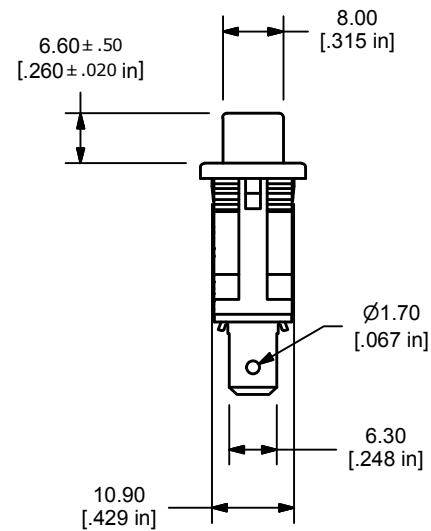
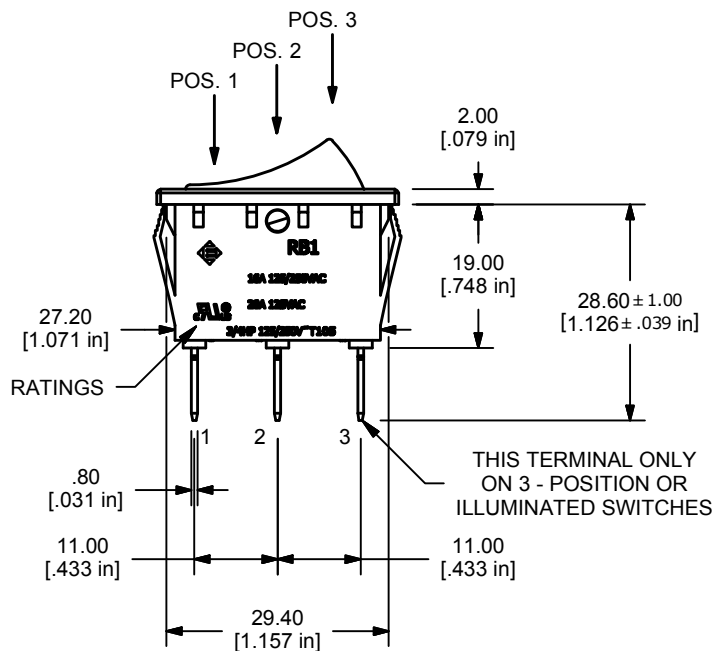
( ) = MOMENTARY



PANEL CUTOUT



SCHEMATIC OPTIONS



SHOWN WITH D - RATED BODY

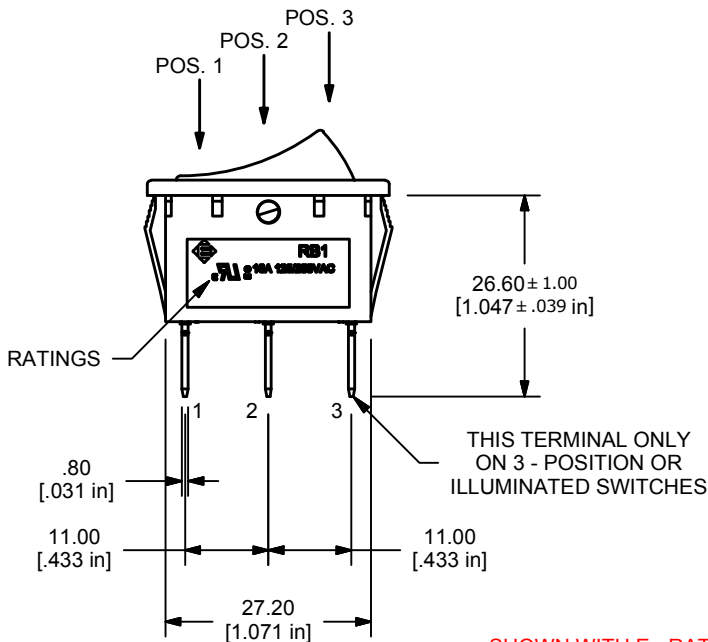
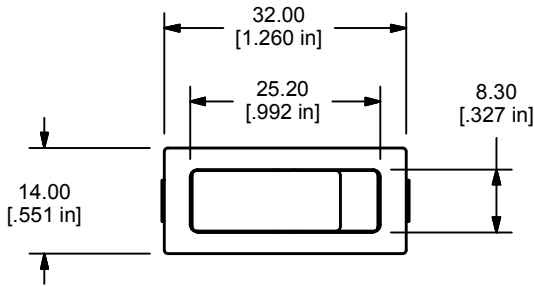


# RB1 SERIES ROCKER SWITCH

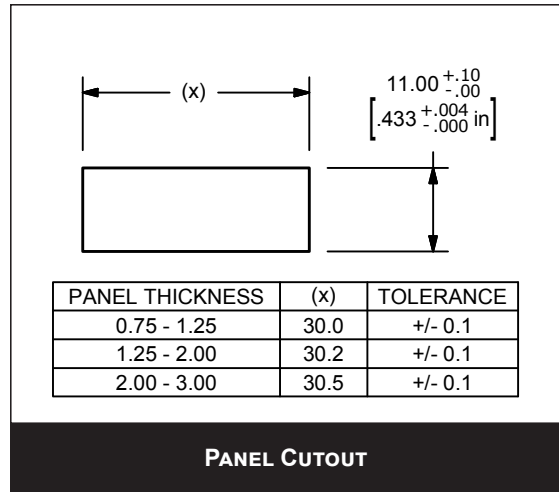
## BODY DIMENSIONS

FUNCTION	POS. 1	POS. 2	POS. 3
1	OFF	NONE	ON
3	ON	NONE	ON
4	OFF	NONE	(ON)
5	ON	OFF	ON
A	ON	NONE	(OFF)
B	ON	NONE	(ON)
C	ON	OFF	(ON)
D	(ON)	OFF	(ON)
TERMINAL CLOSURE	2-3	OPEN	2-1

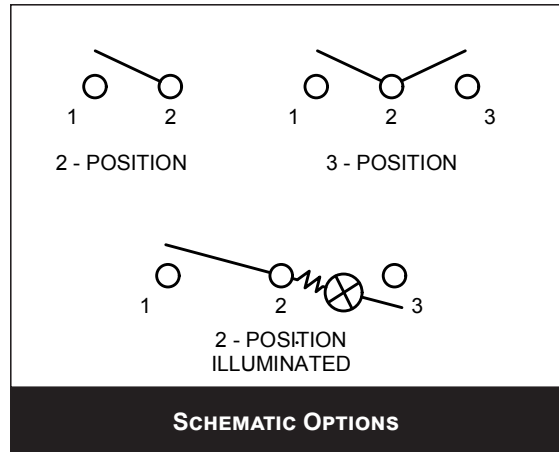
( ) = MOMENTARY



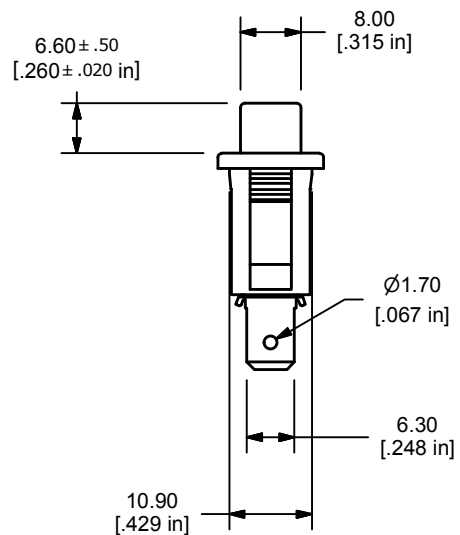
SHOWN WITH E - RATED BODY



PANEL CUTOUT



SCHEMATIC OPTIONS

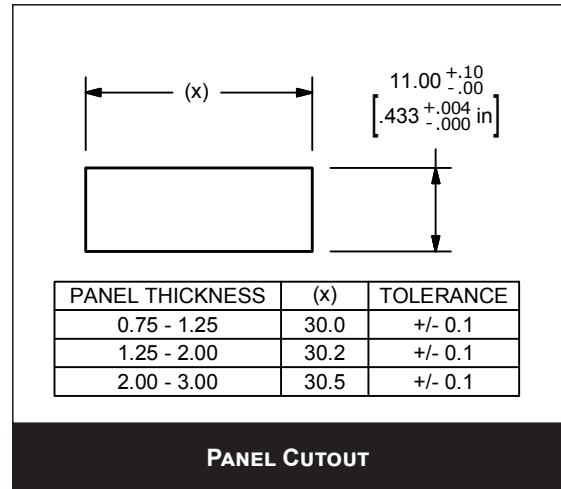


# RB1 SERIES ROCKER SWITCH

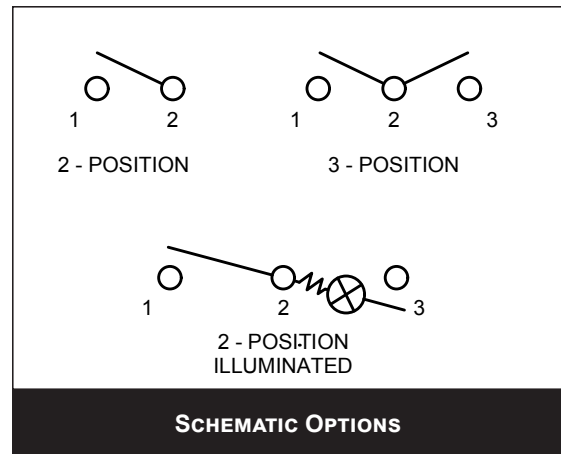
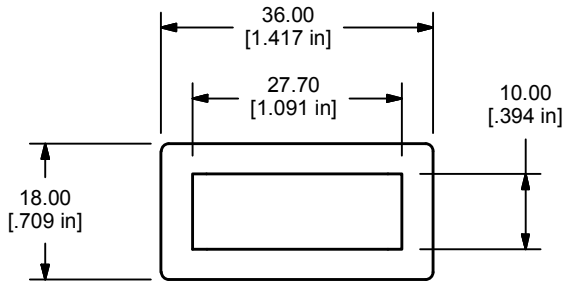
## BODY DIMENSIONS

FUNCTION	POS. 1	POS. 2	POS. 3
1	OFF	NONE	ON
3	ON	NONE	ON
4	OFF	NONE	(ON)
5	ON	OFF	ON
A	ON	NONE	(OFF)
B	ON	NONE	(ON)
C	ON	OFF	(ON)
D	(ON)	OFF	(ON)
TERMINAL CLOSURE	2-3	OPEN	2-1

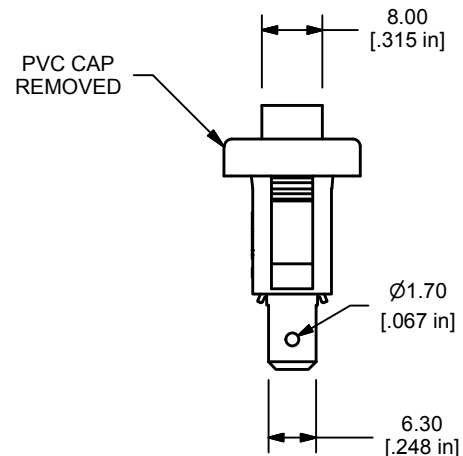
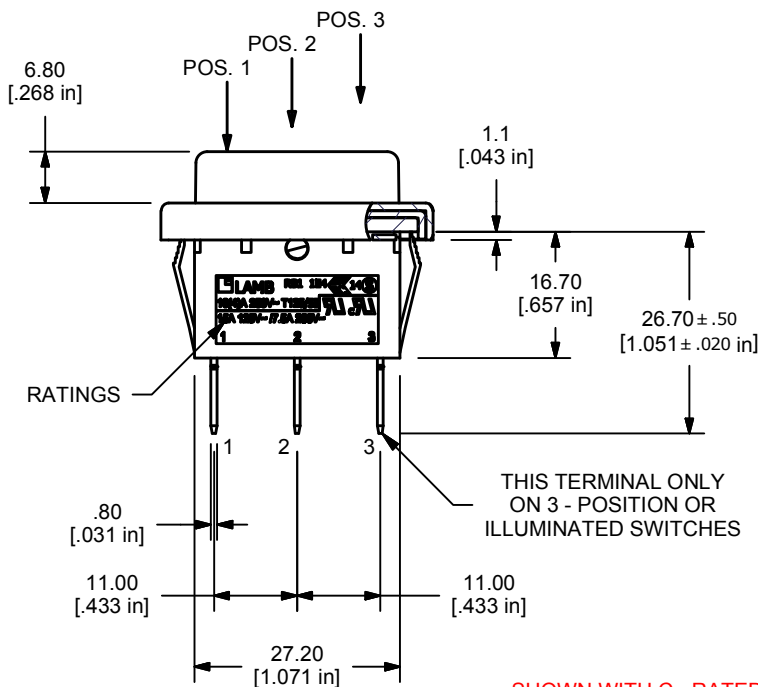
( ) = MOMENTARY



PANEL CUTOUT



SCHEMATIC OPTIONS



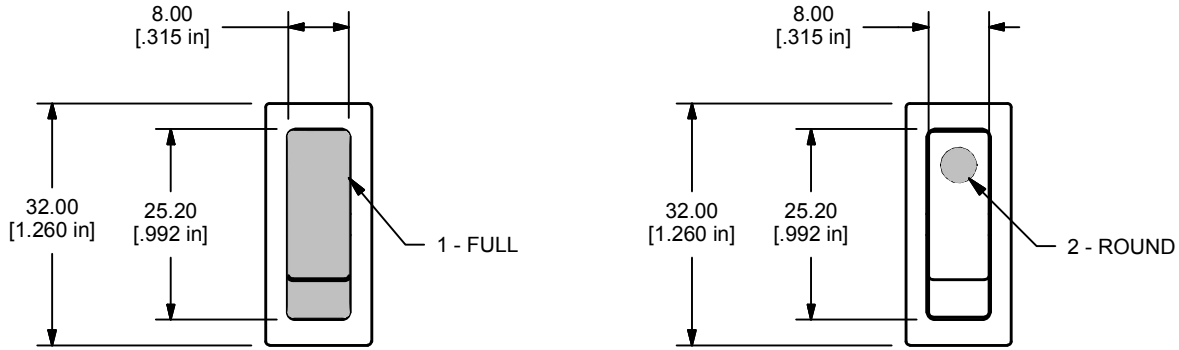
SHOWN WITH C - RATED BODY & ACC-F01-1 (SILICONE CAP)



# RB1 SERIES ROCKER SWITCH

## ILLUMINATION TYPE/ MARKING TYPE

### ILLUMINATION TYPE



### MARKING TYPE

