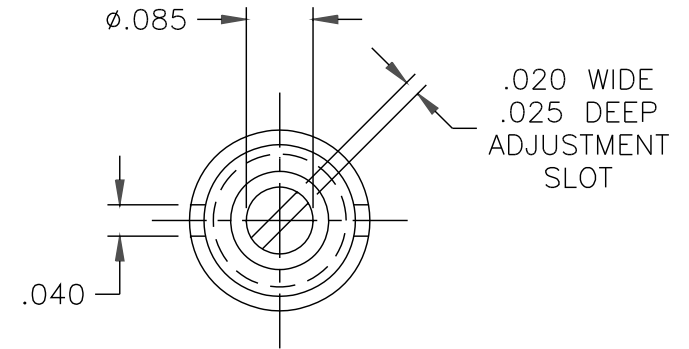
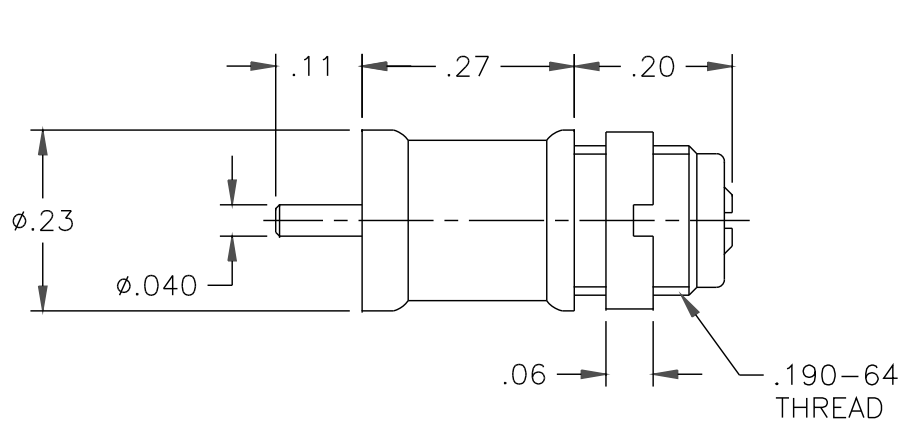


DATE	SYM	REVISION	RECORD	AUTH	DR	CK



NOTES:

1. CAPACITANCE RANGE, pF: 1.0 TO 9.0
2. DC WORKING VOLTAGE AT 9.0 pF: 1000
3. DC WITHSTANDING VOLTAGE AT 9.0 pF: 2000
4. Q FACTOR AT 100 MHz AND 9.0 pF: 2000
5. INSULATION RESISTANCE:  $10^6$  MEGOHMS AT 25°C
6. TEMPERATURE COEFFICIENT:  $50 \pm 50$  PPM/°C.
7. OPERATING TEMPERATURE: -65°C TO +125°C.
8. TUNING TORQUE: 0.5 TO 5.0 IN-OZ
9. ROTATIONAL LIFE: 600 TURNS
10. VIBRATION: 50g AT 10-2000 Hz
11. SHOCK: 1500g, 0.5 MILLISECS.
12. SEAL: 40 PSI.

TOLERANCES (EXCEPT AS NOTED)	VOLTRONICS CORPORATION 100 FORD RD. DENVER N.J.		
DECIMAL XXX $\pm .005$ XX $\pm .016$	SCALE 4 : 1	DRAWN BY A.SHTABNAYA	
FRACTIONAL -	TITLE OUTLINE DWG. NMKT10HV	APPROVED BY A.GOLDBERG	
ANGULAR -	DATE 3/22/11	DRAWING NUMBER 71,072	